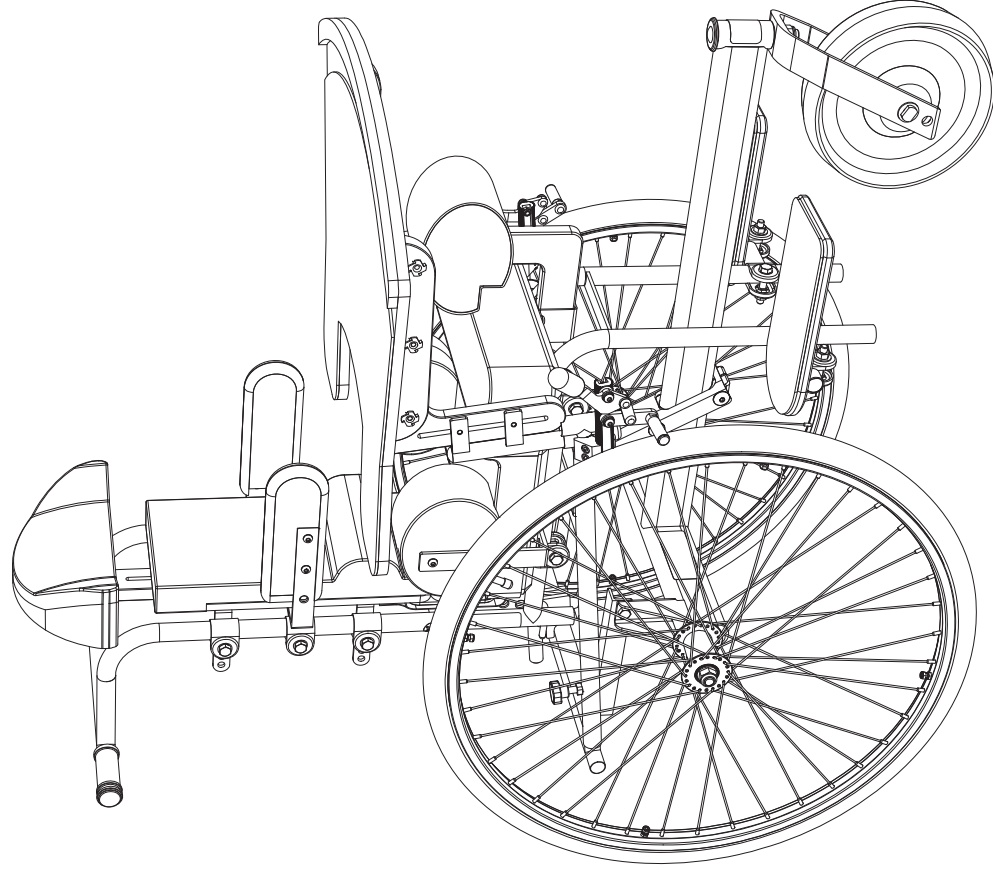
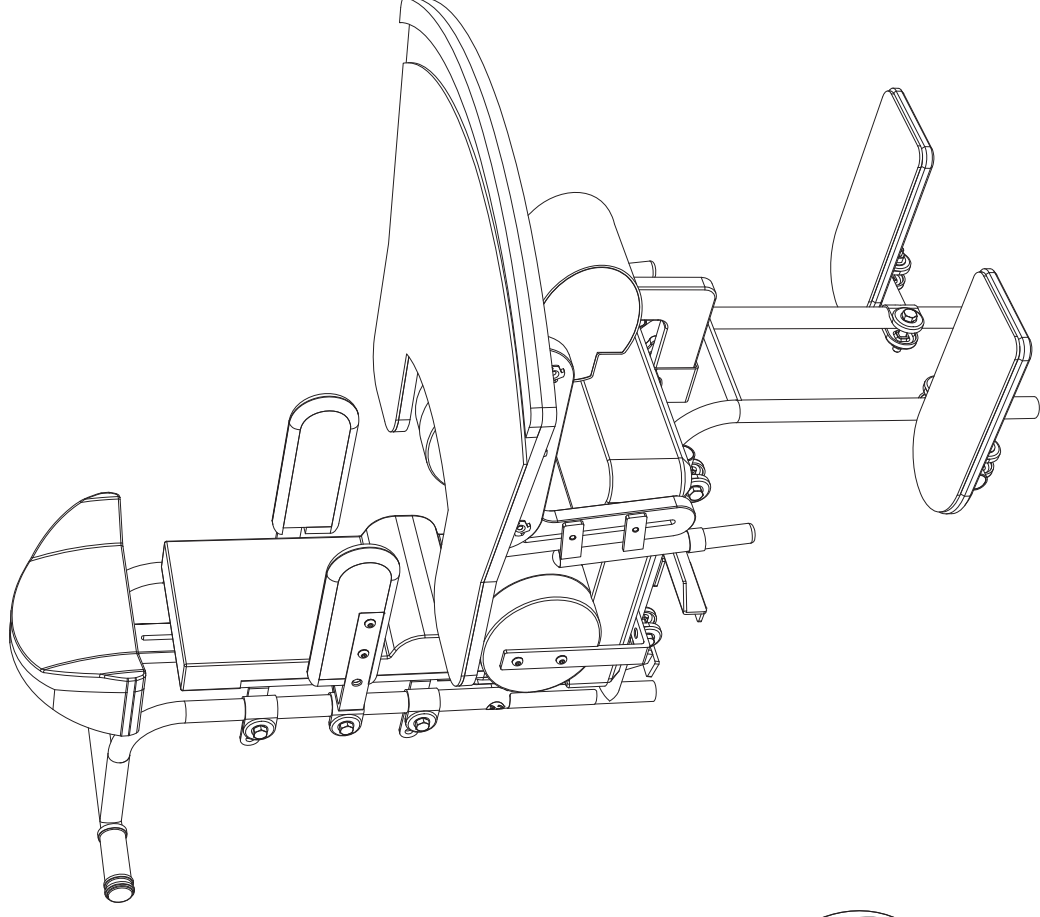


MOTI GO SUPPORTIVE SEATING SYSTEM

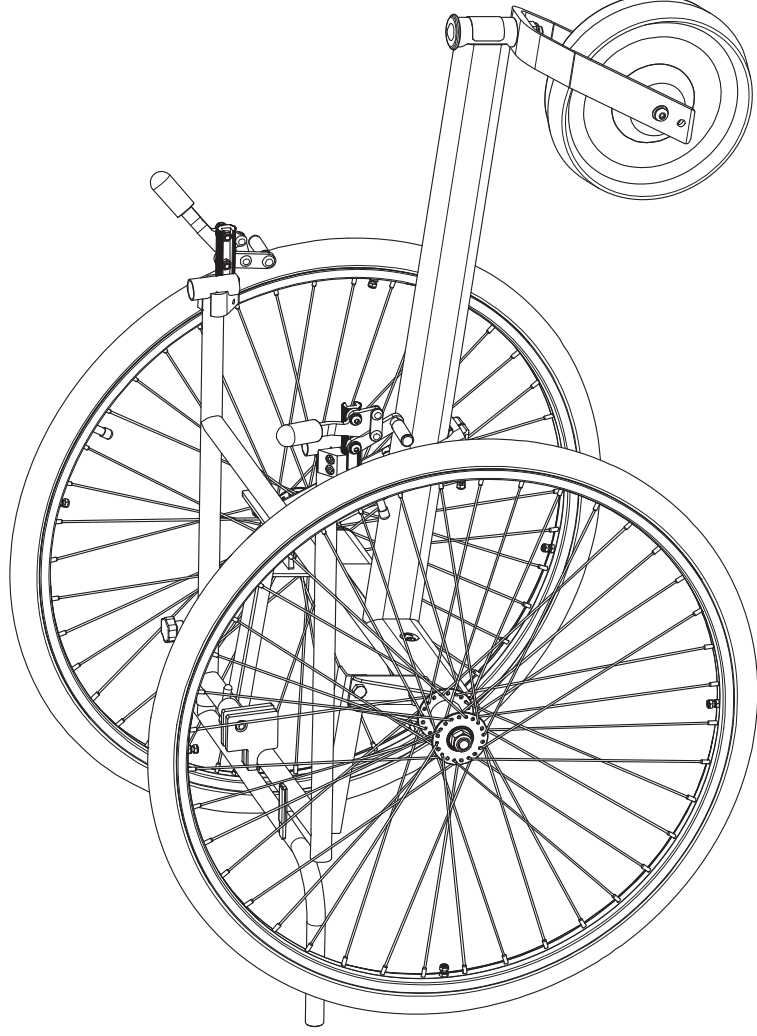
ASSEMBLY MANUAL



Moti Go Sub-Assemblies



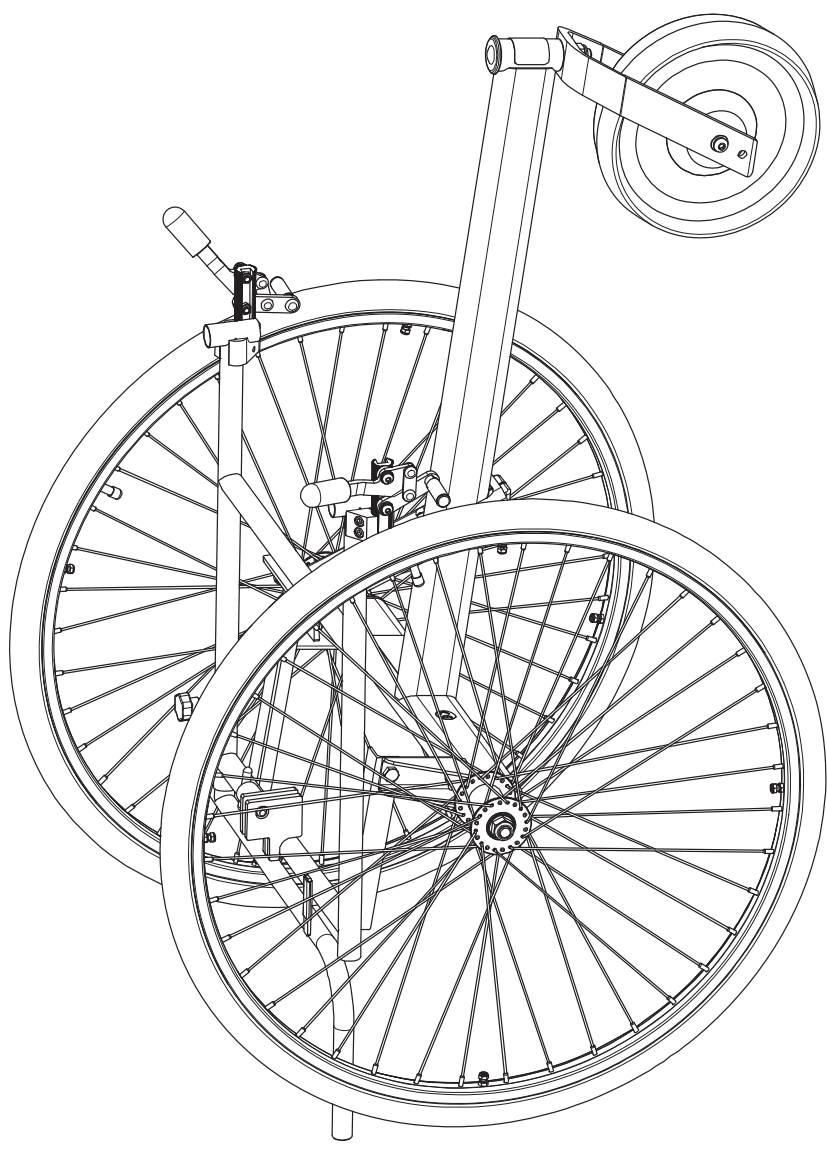
Seat Unit Assembly



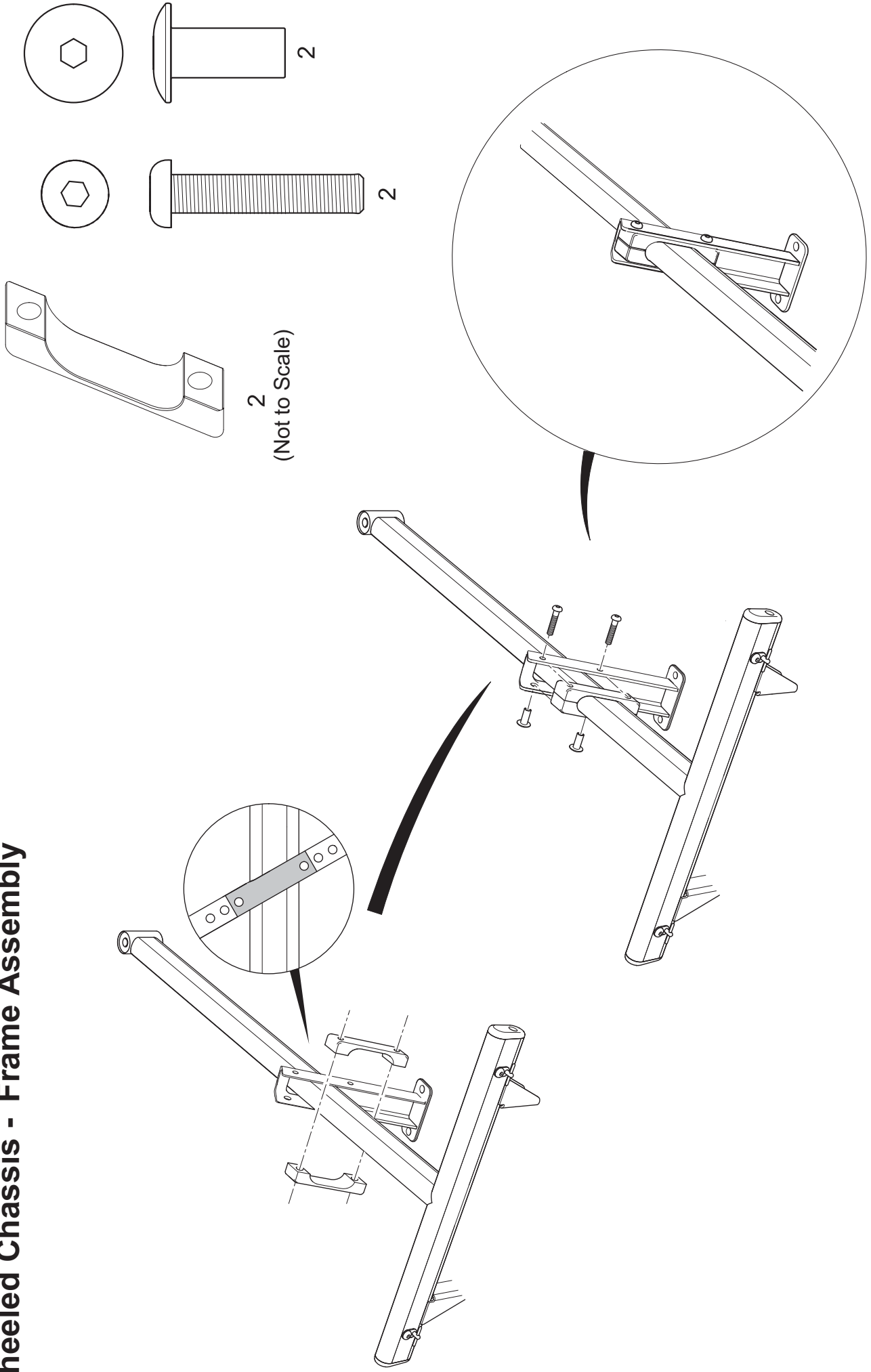
Wheeled Chassis Assembly



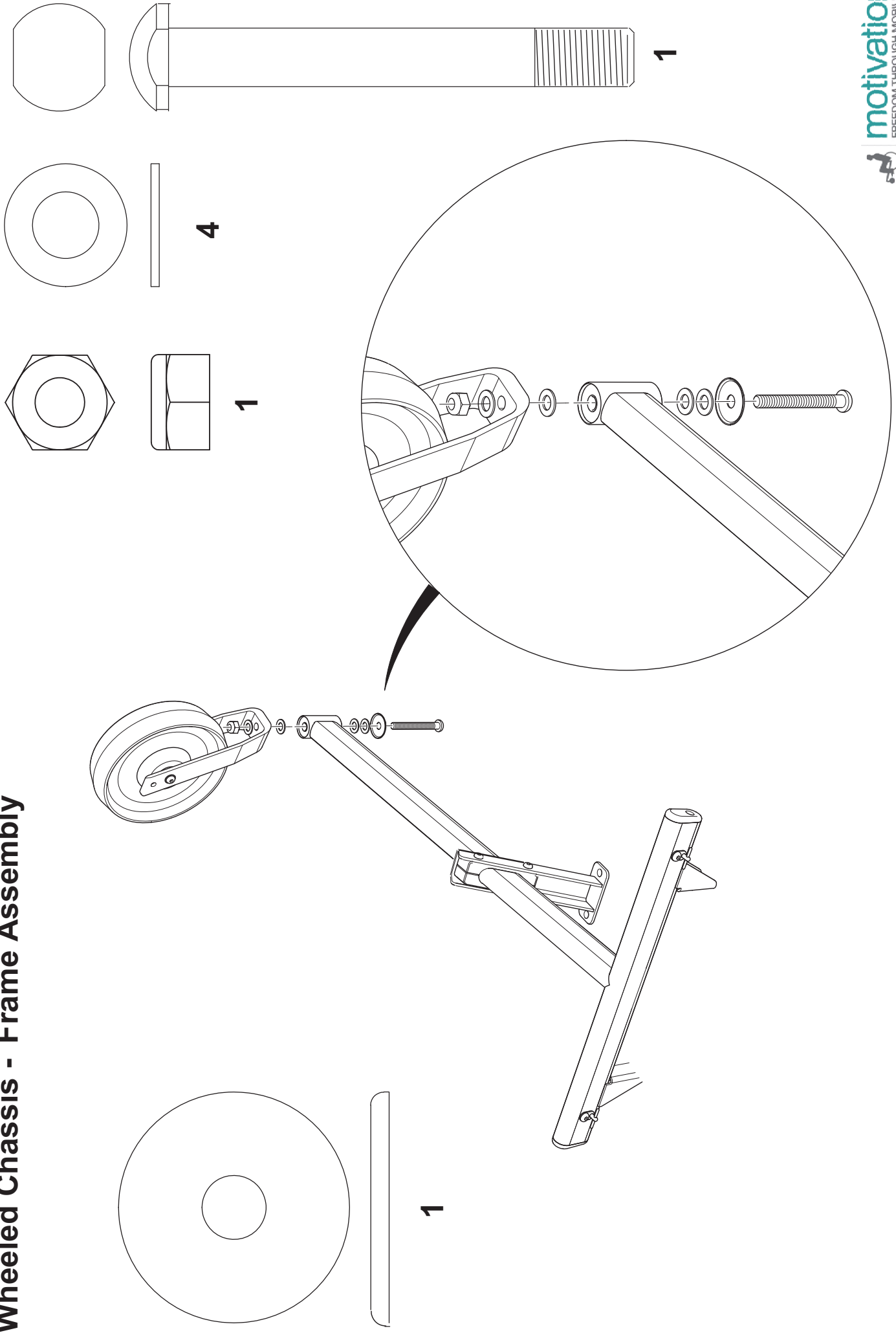
Wheeled Chassis Assembly

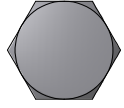


Wheeled Chassis - Frame Assembly

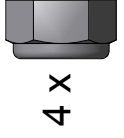
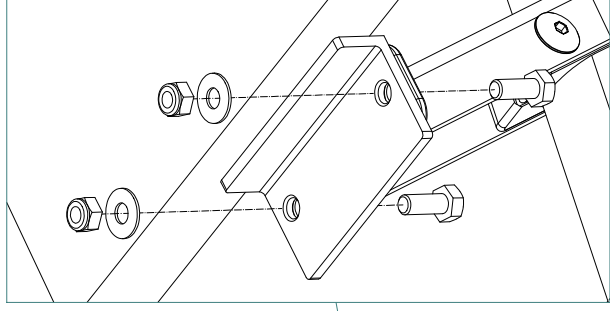
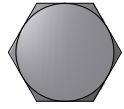
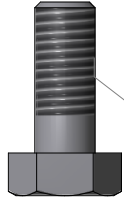


Wheeled Chassis - Frame Assembly





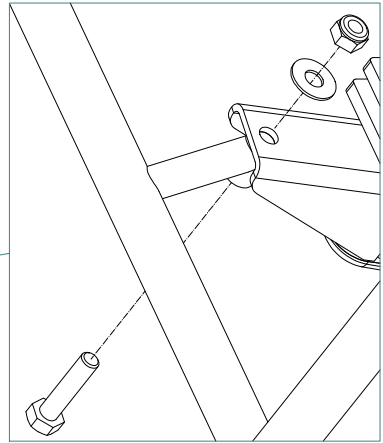
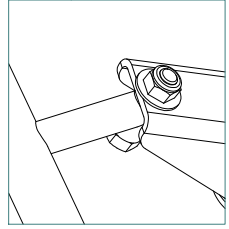
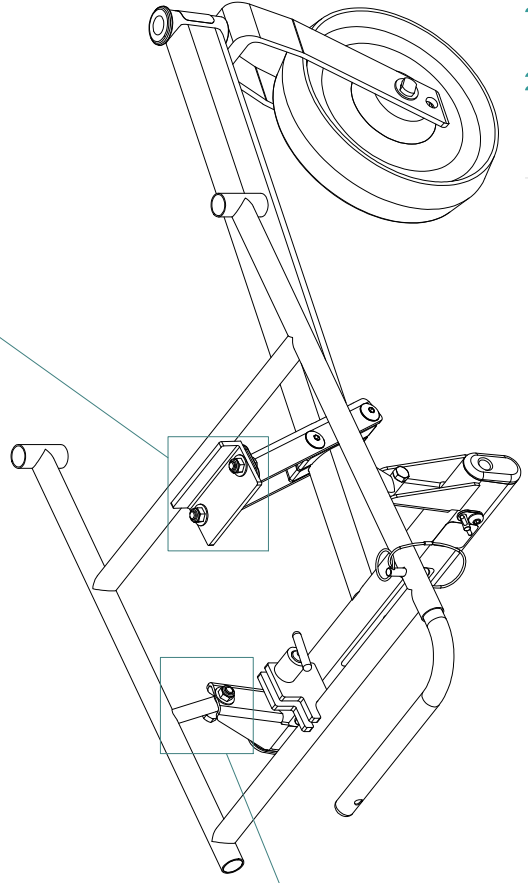
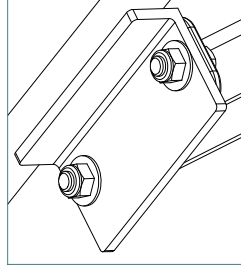
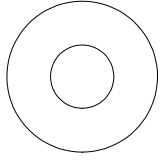
2 X



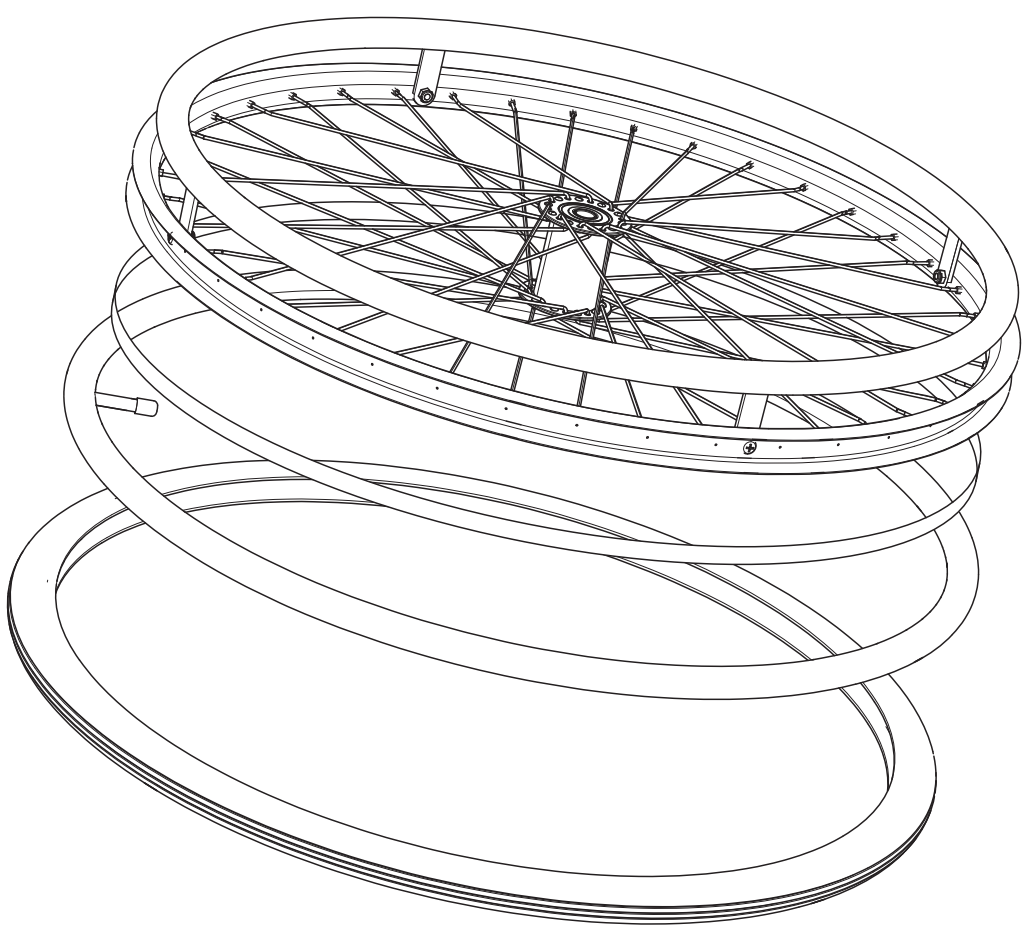
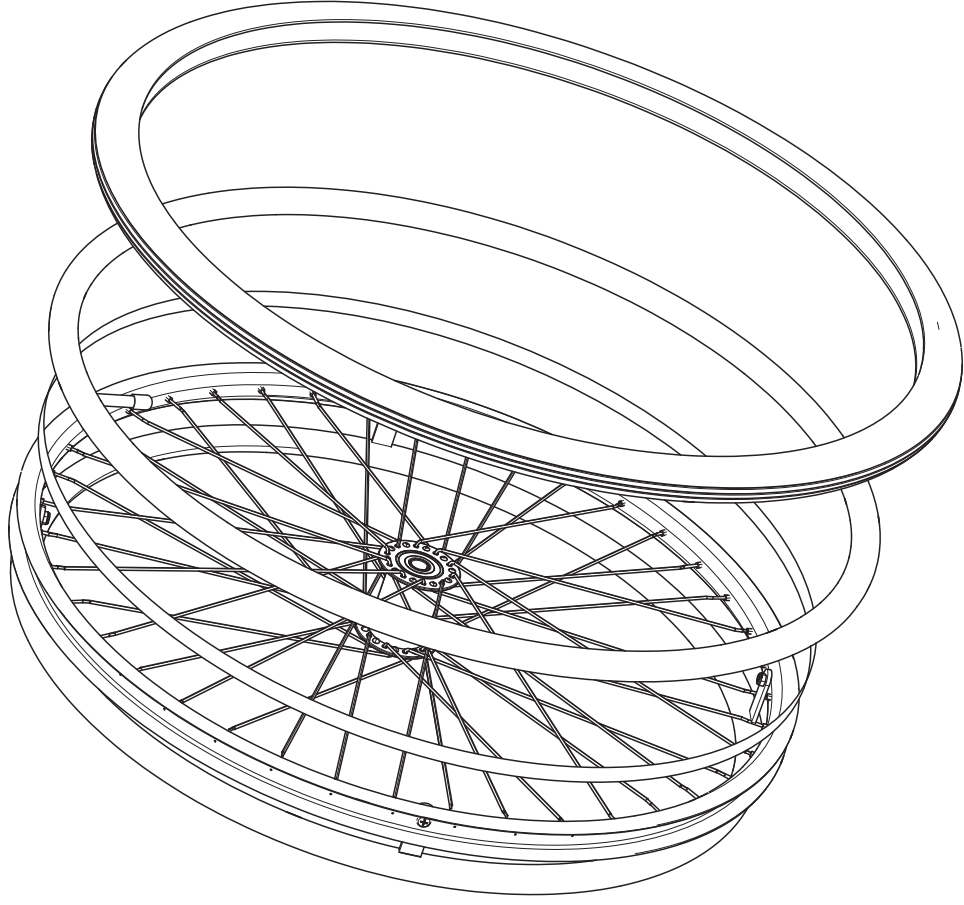
4 X



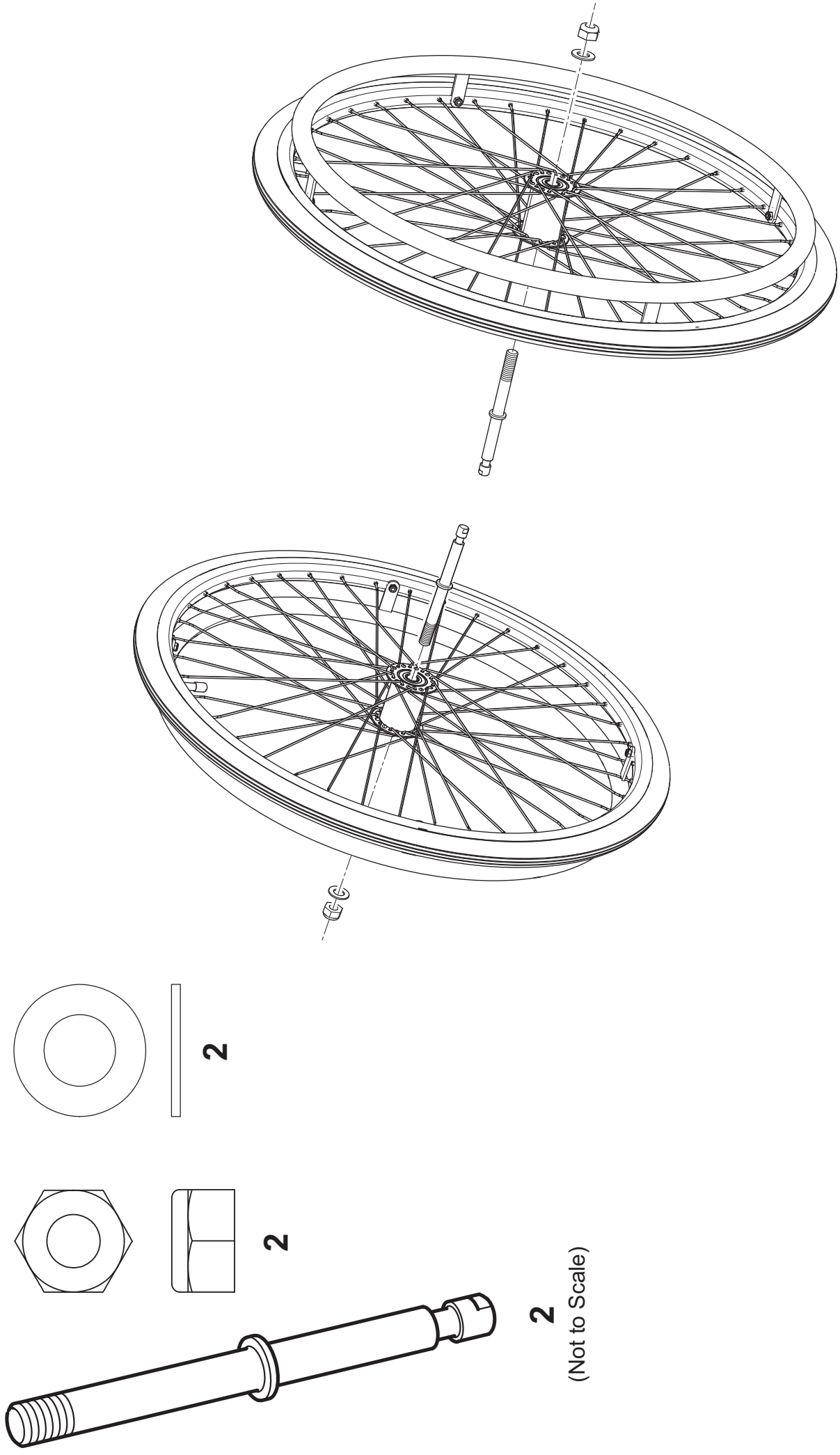
4 X



Wheeled Chassis - Rear Wheel Assembly



Wheeled Chassis - Rear Wheel Assembly



2
(Not to Scale)

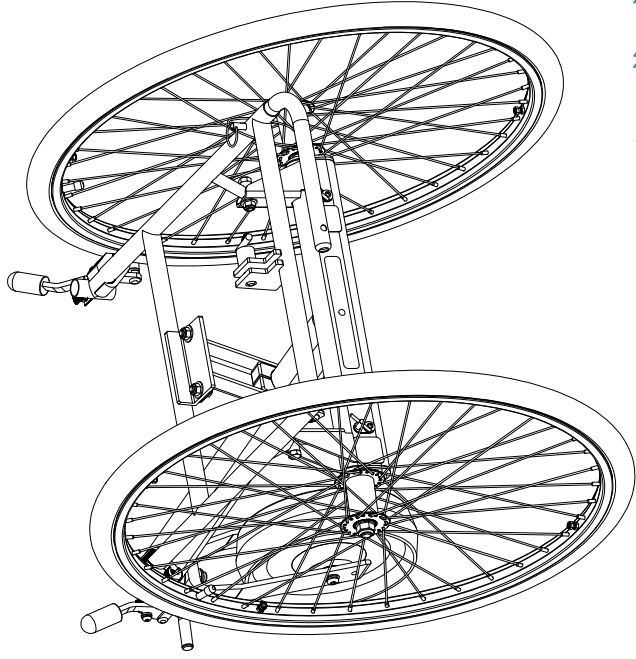
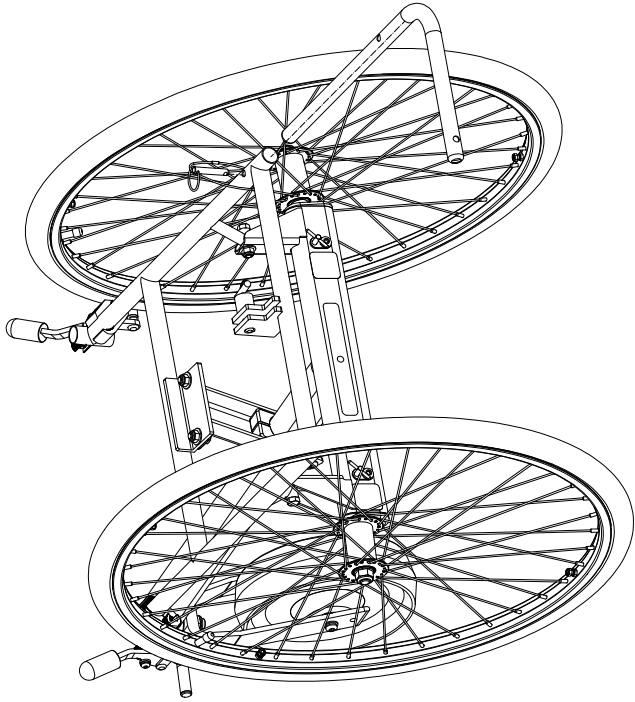
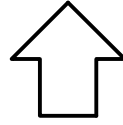
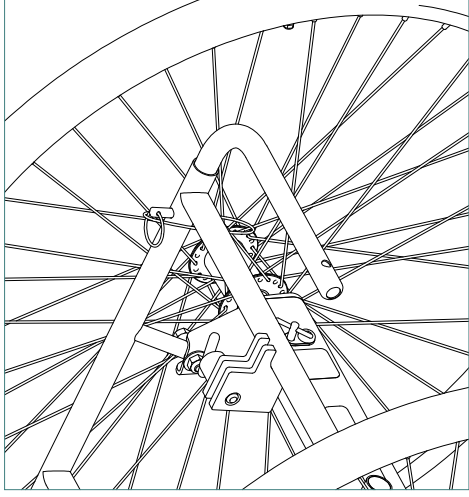
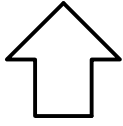
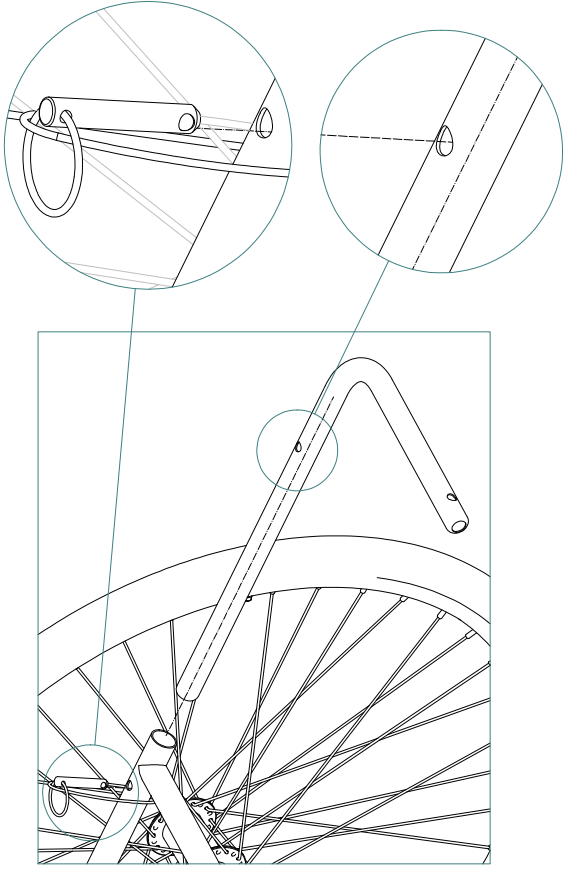
Wheeled Chassis - Rear Wheel Assembly



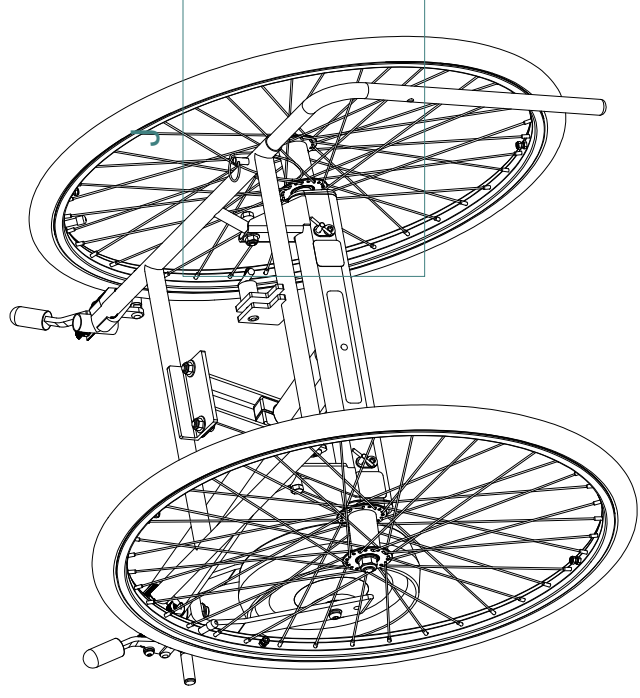
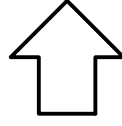
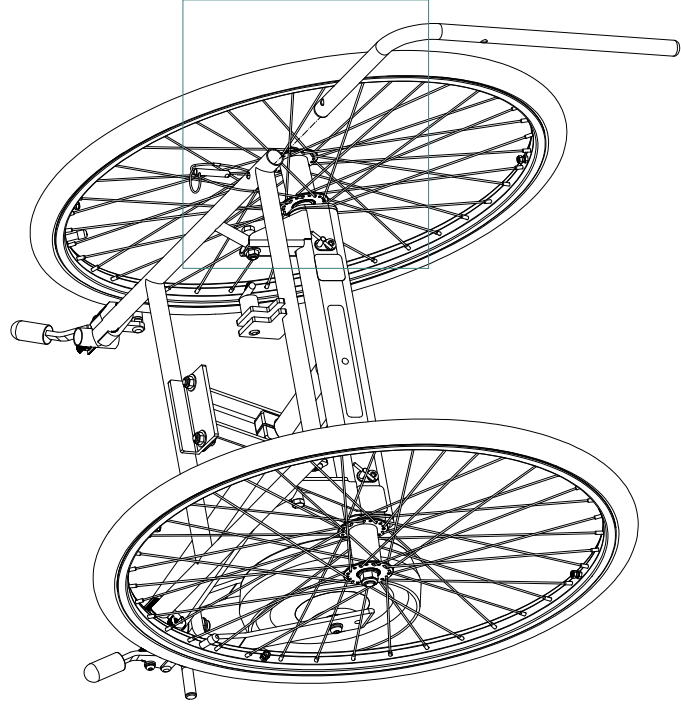
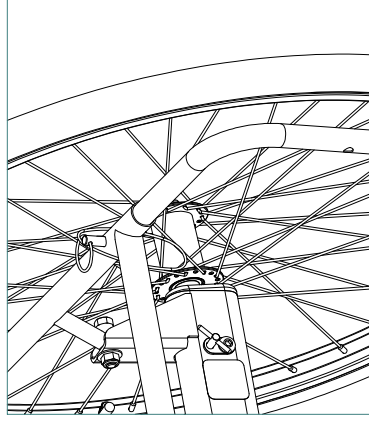
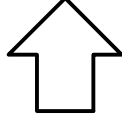
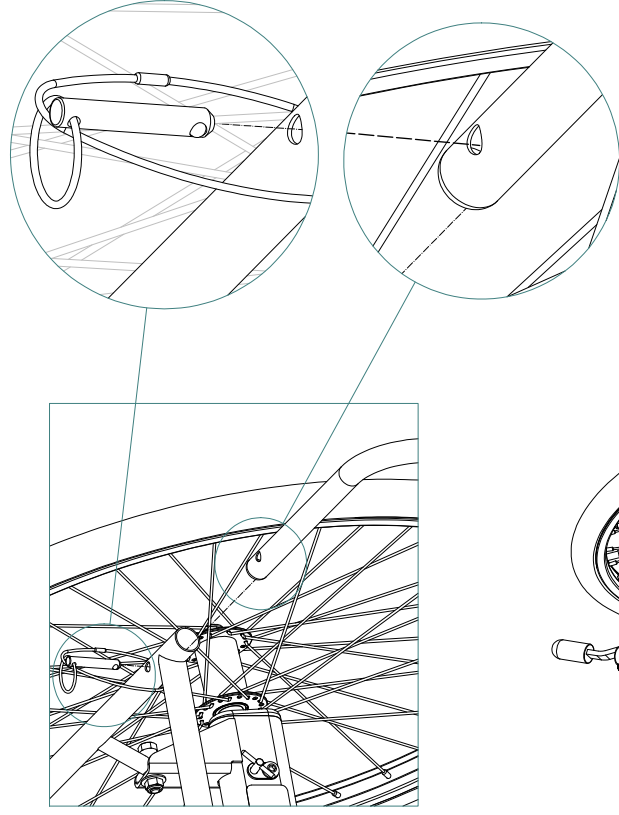
Wheeled Chassis - Brake Assembly



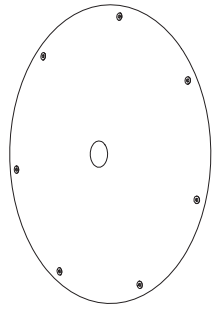
Wheeled Chassis - Anti-Tip Bar Assembly



Wheeled Chassis - Anti-Tip Bar Assembly



Wheeled Chassis - Spoke Guard Assembly

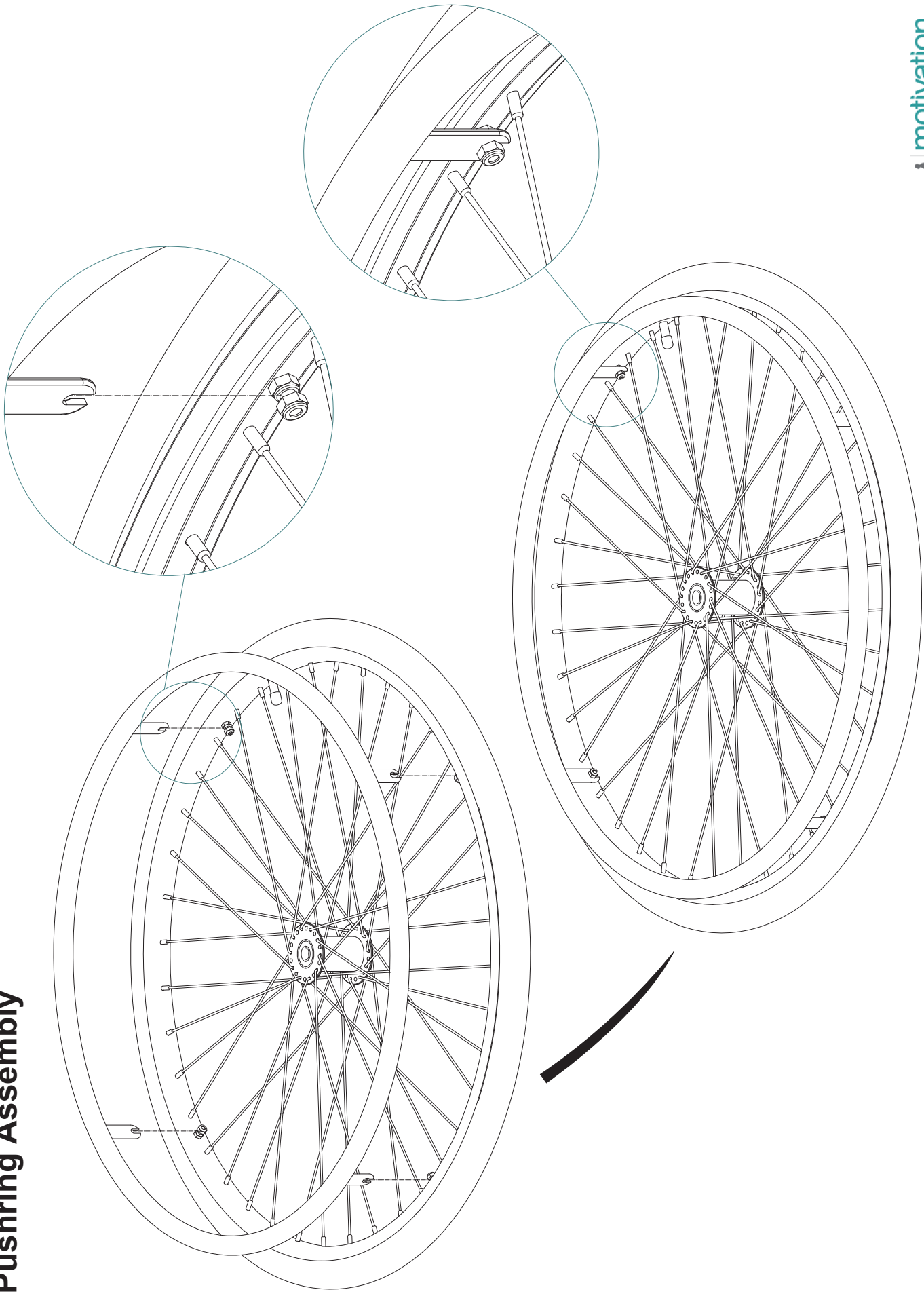


14
(Not to Scale)

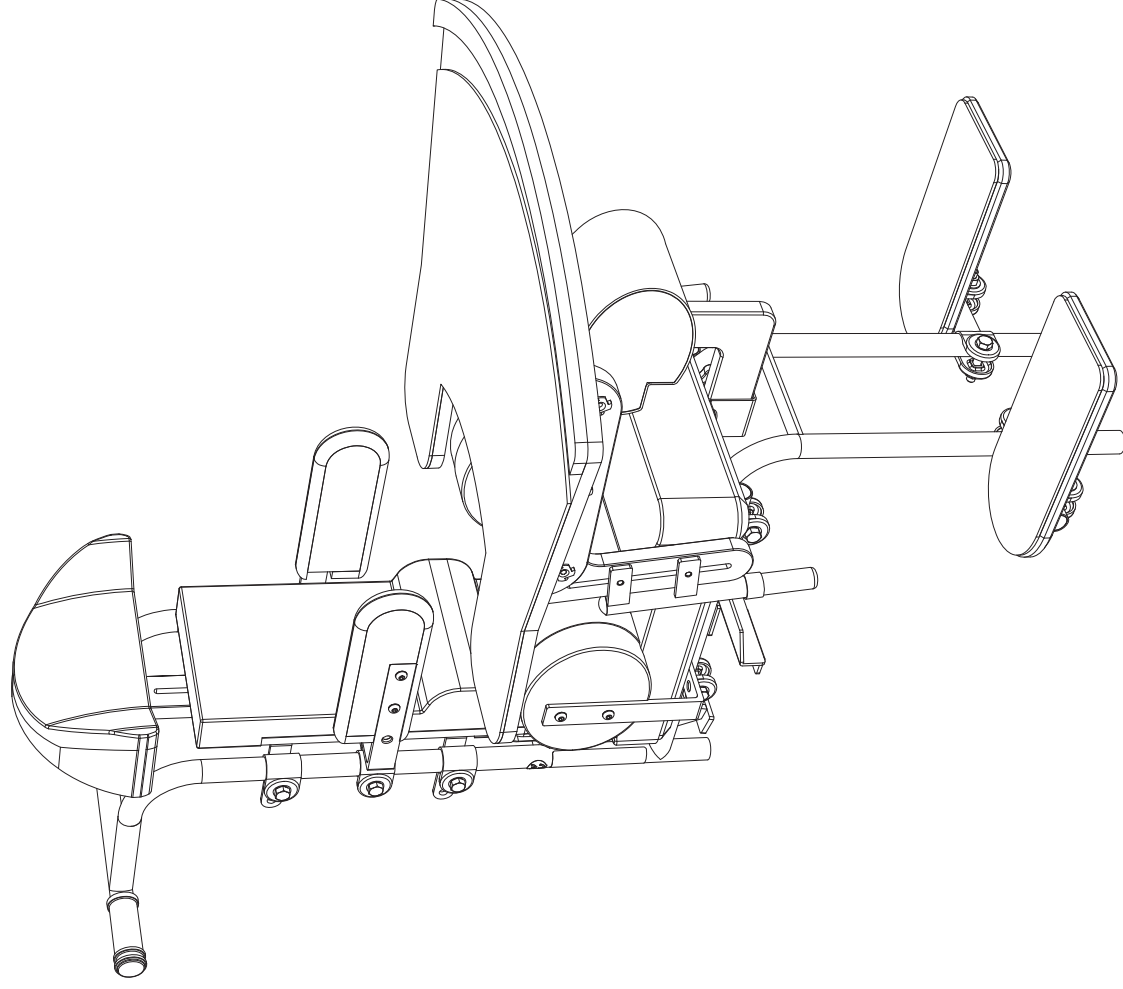
2
(Not to Scale)



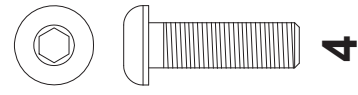
Optional Pushring Assembly



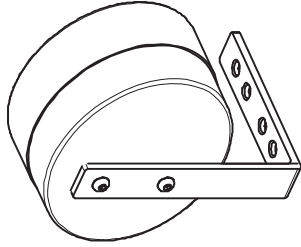
Seat Unit Assembly



Seat Unit - Hip Pad Assembly

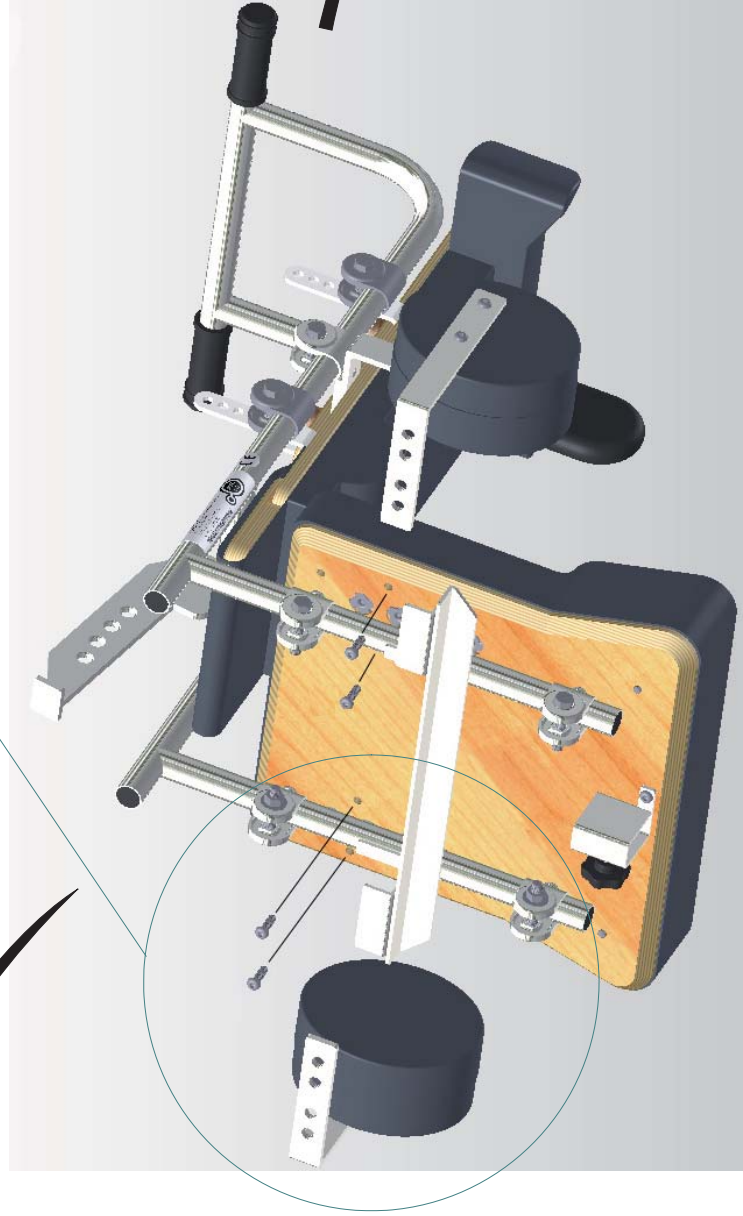
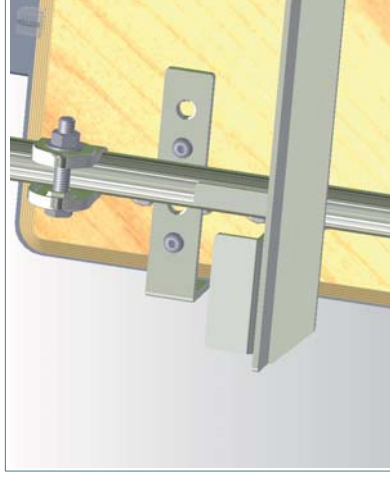
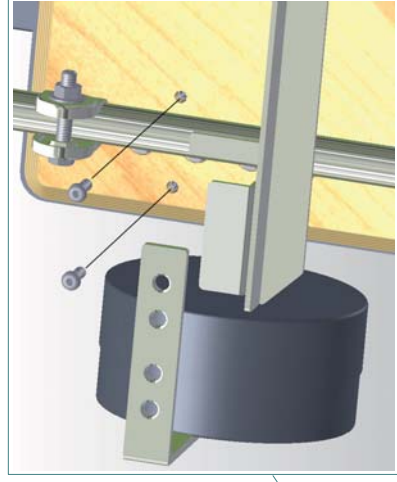


4

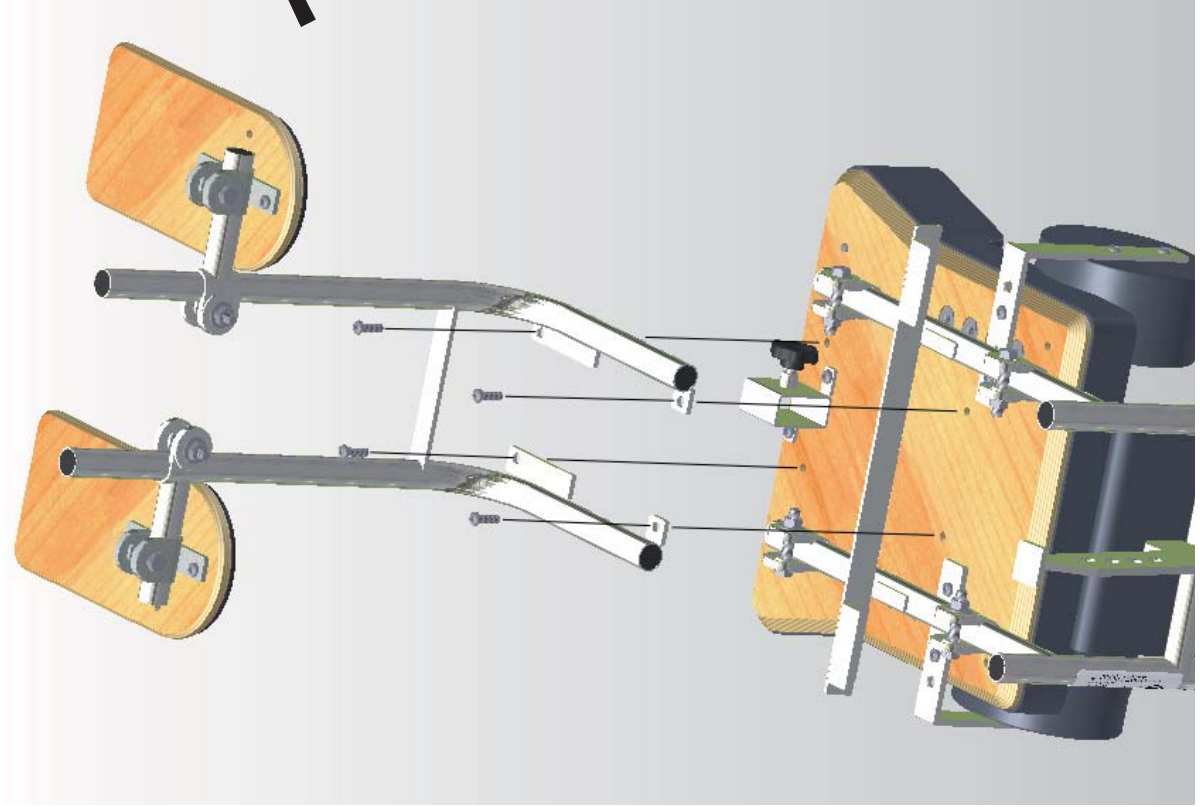
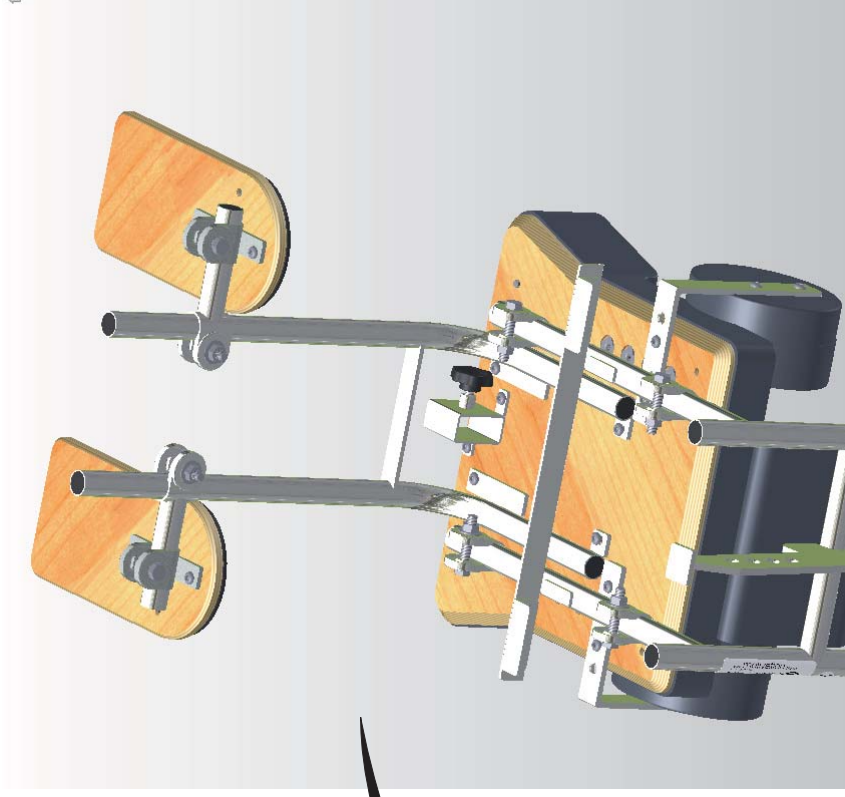
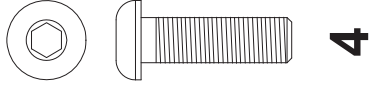


2

(Not to Scale)



Seat Unit - Frame Assembly



Seat Unit - Ankle Strap Assembly



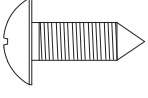
4



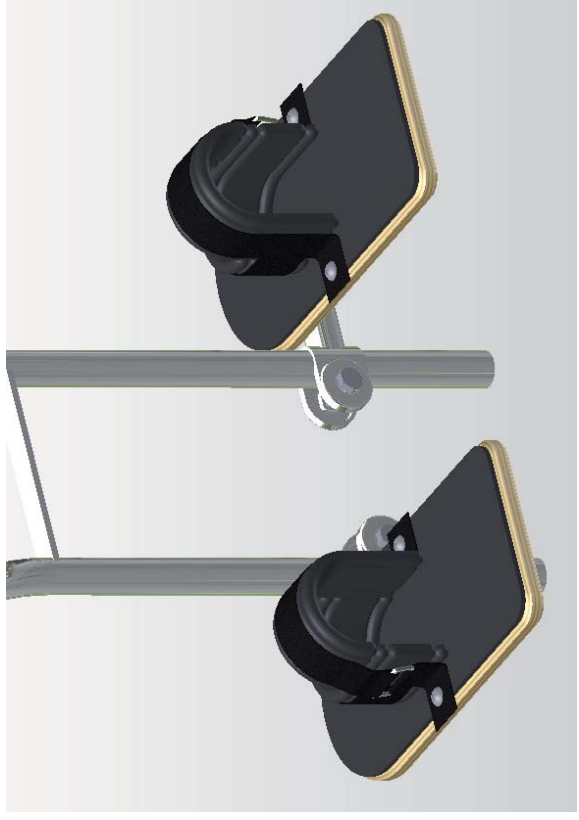
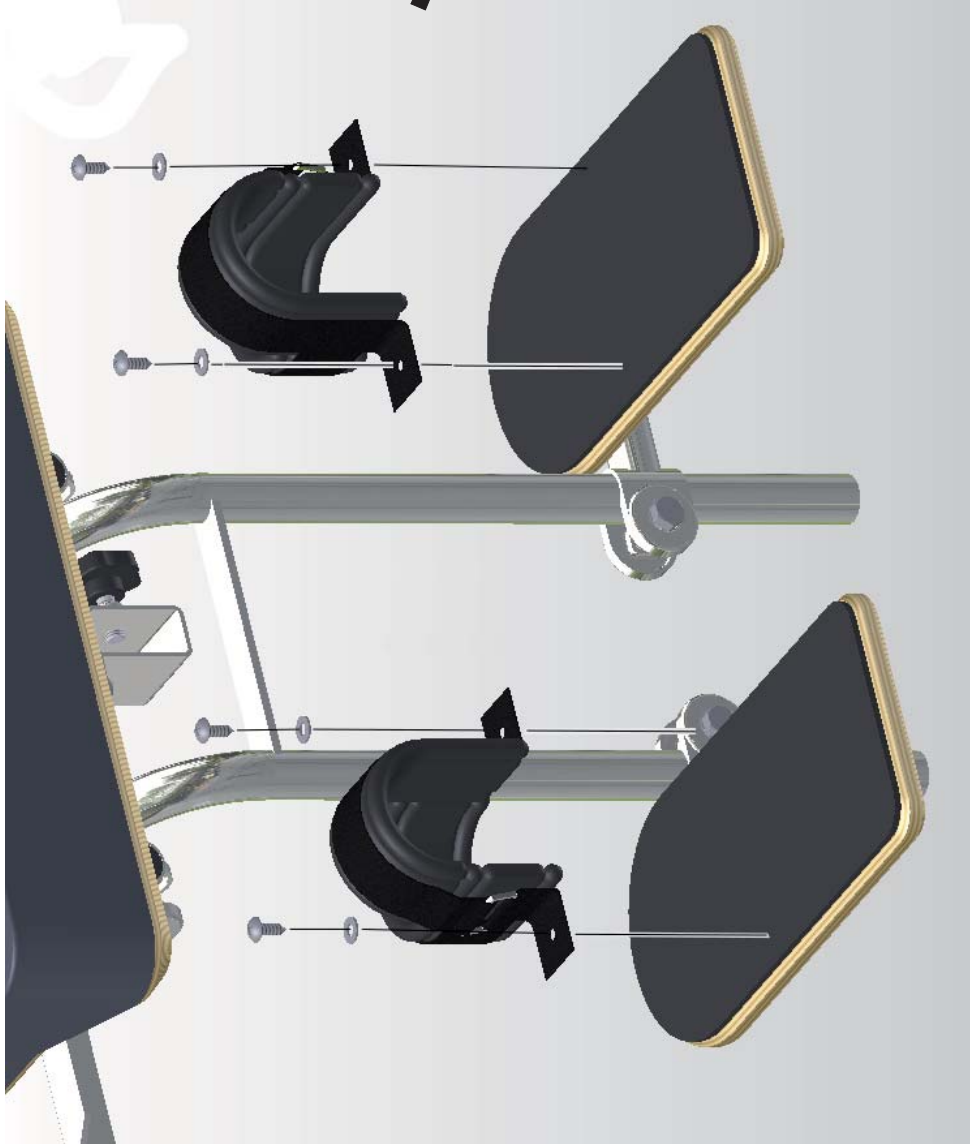
4



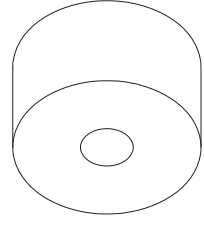
4



4



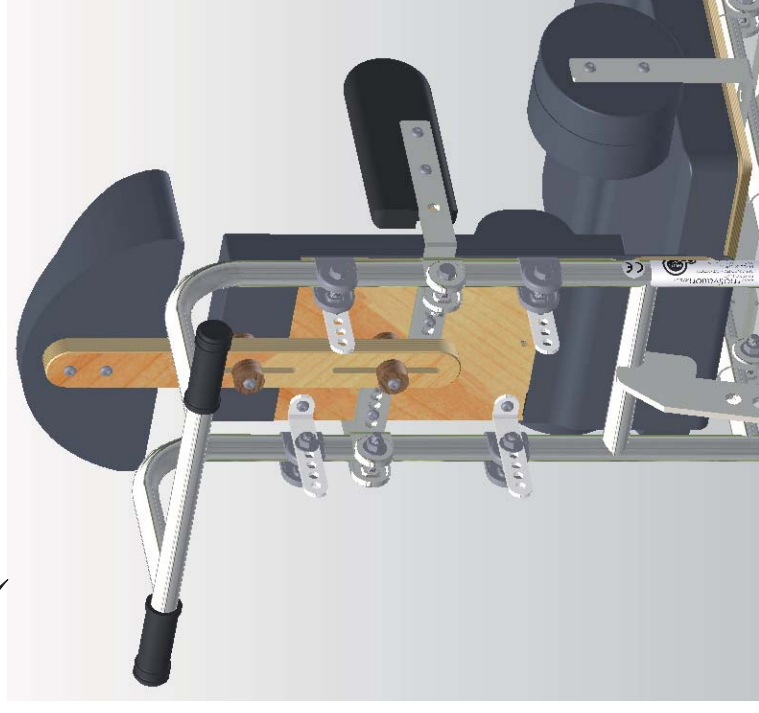
Seat Unit - Headrest Assembly



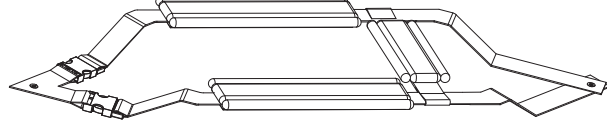
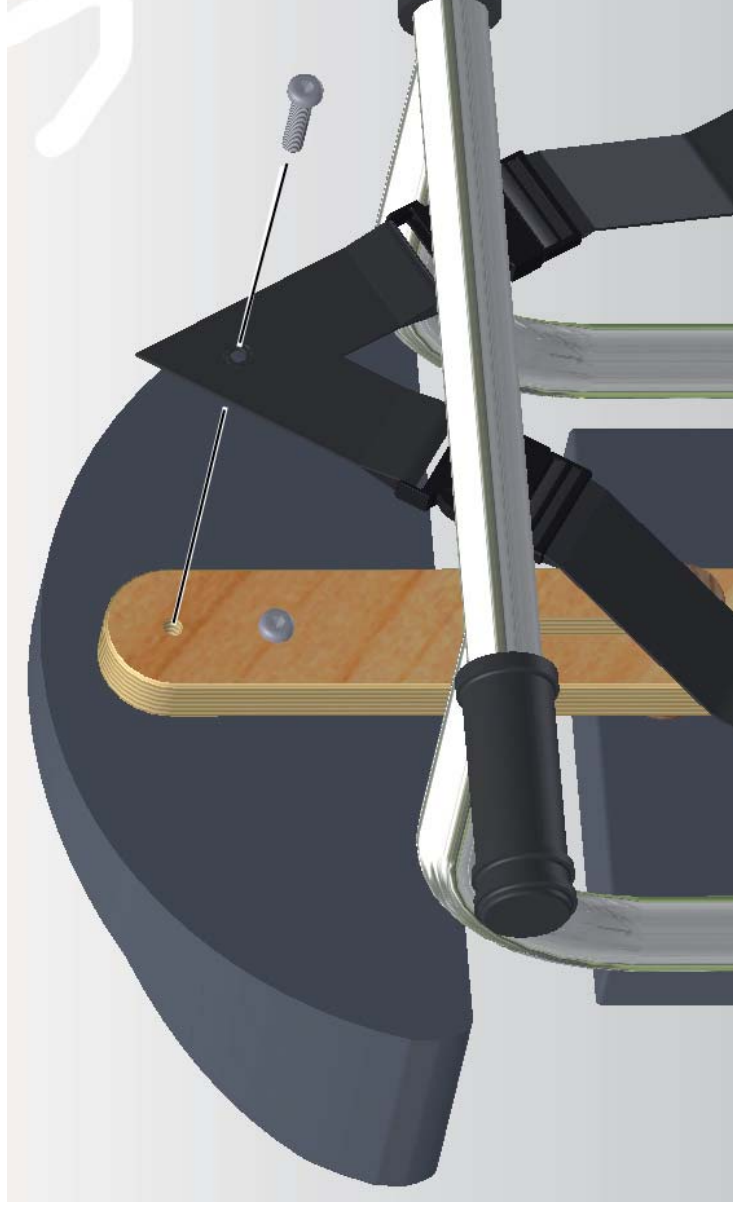
4
(Not to Scale)



2

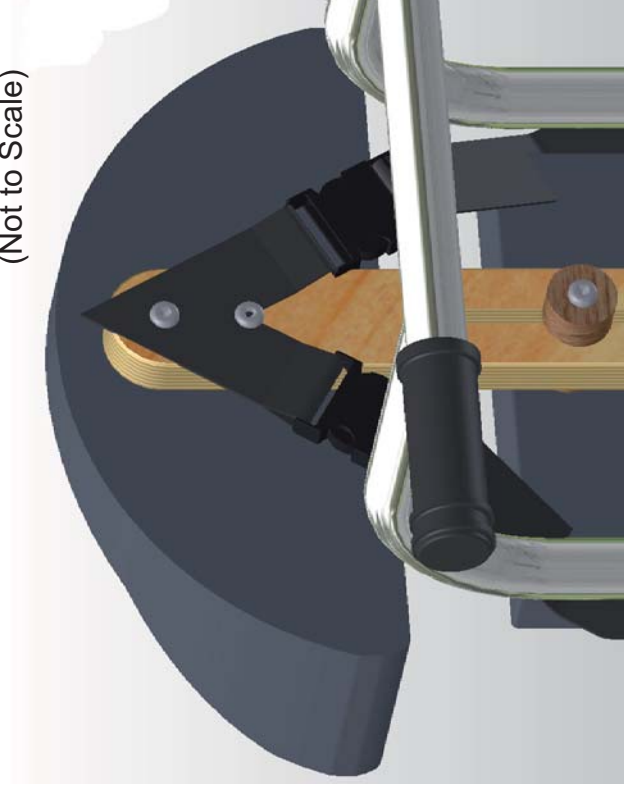


Seat Unit - Shoulder Strap Assembly



1

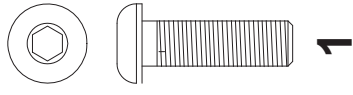
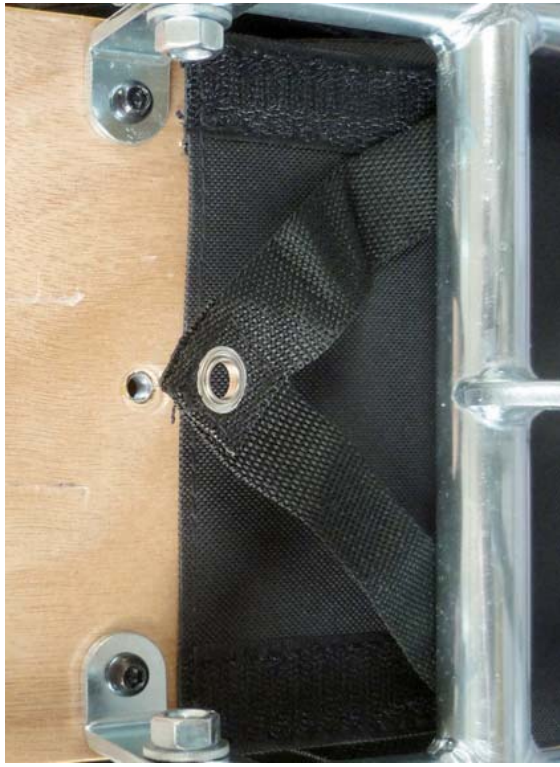
(Not to Scale)



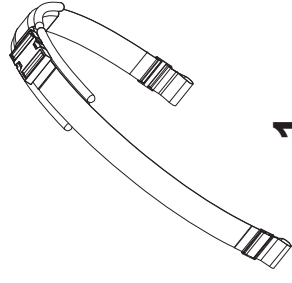
Seat Unit - Shoulder Strap Assembly



Seat Unit - Shoulder Strap Assembly

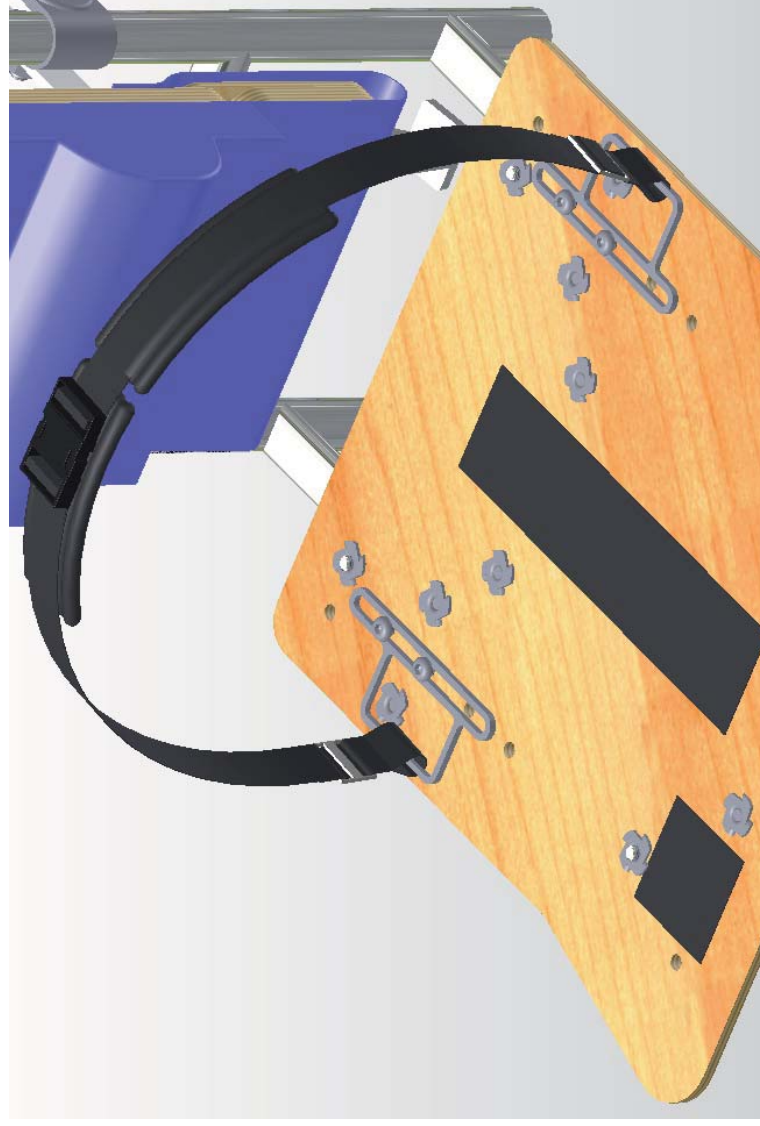


Seat Unit - Pelvis Strap Assembly

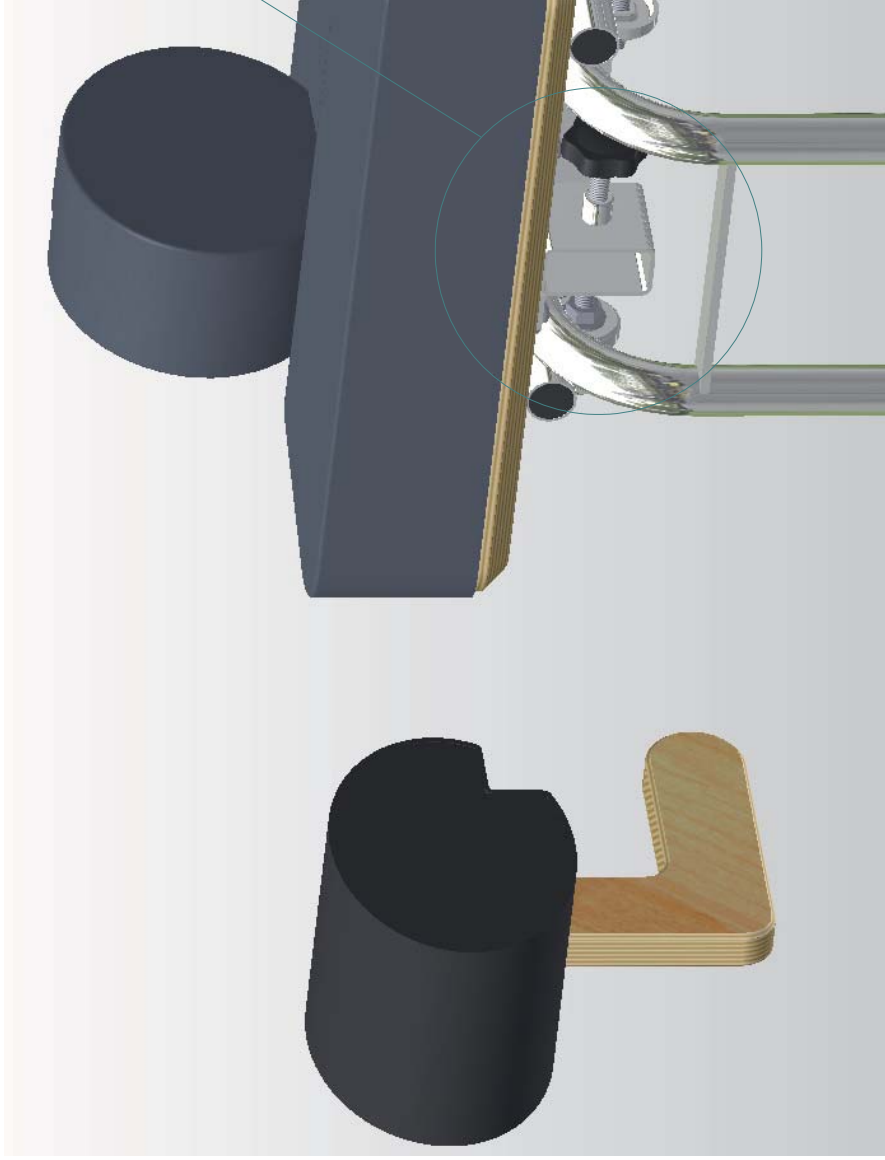


1

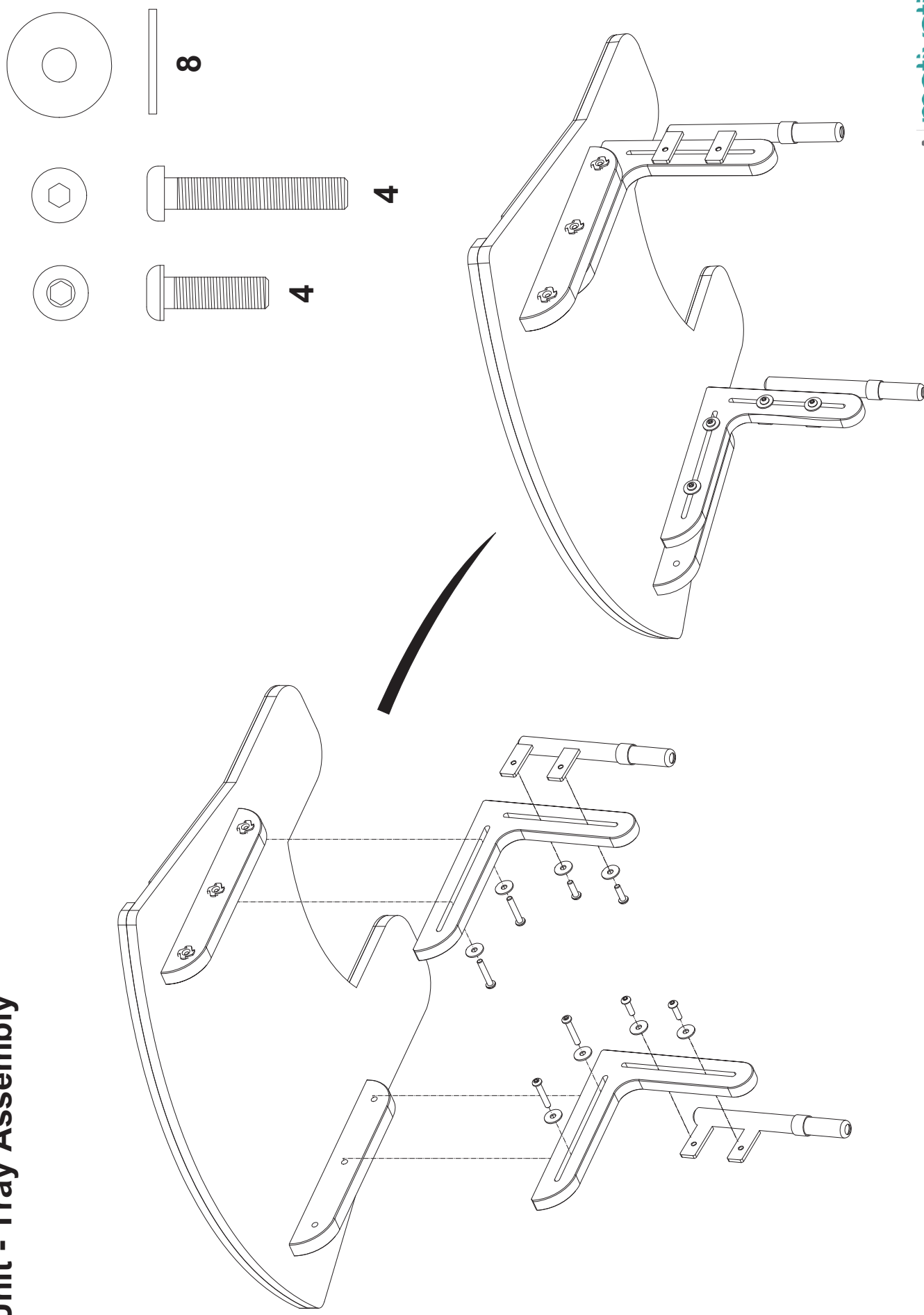
(Not to Scale)



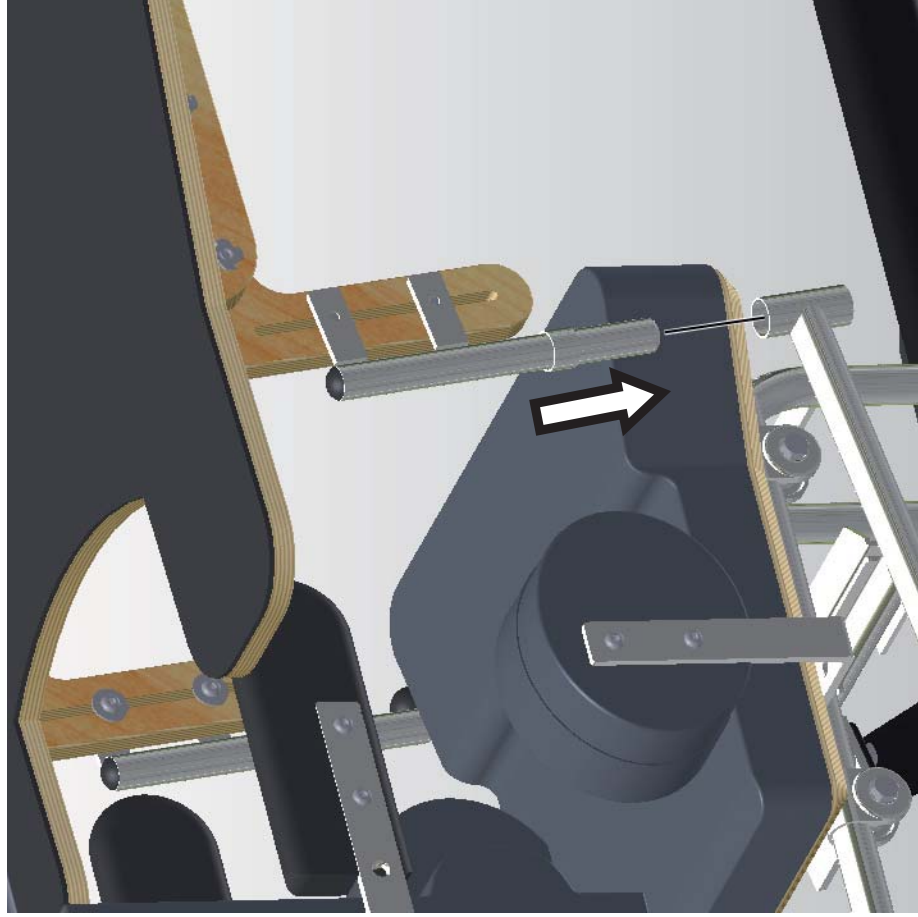
Seat Unit - Abductor Pad Assembly



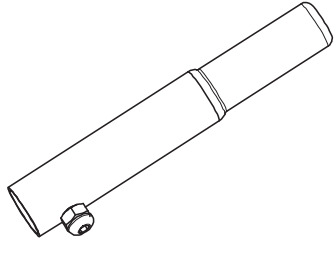
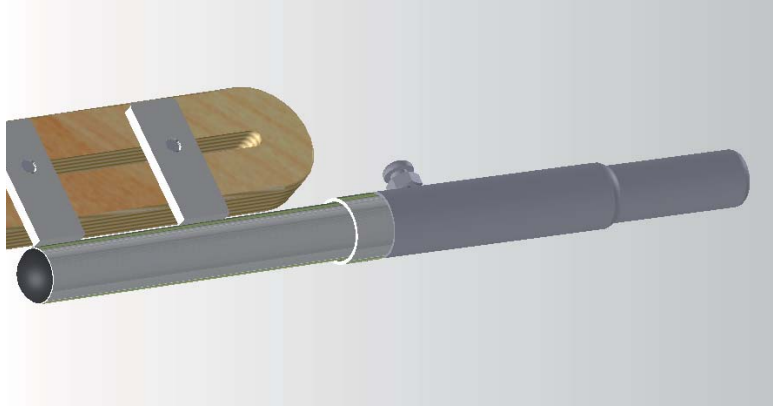
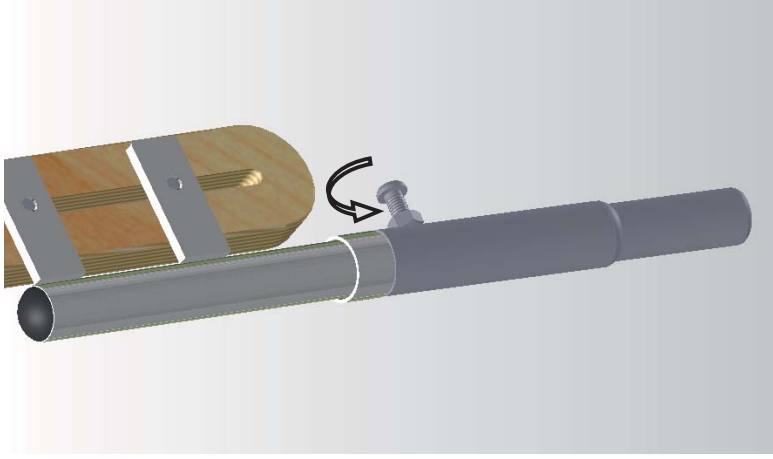
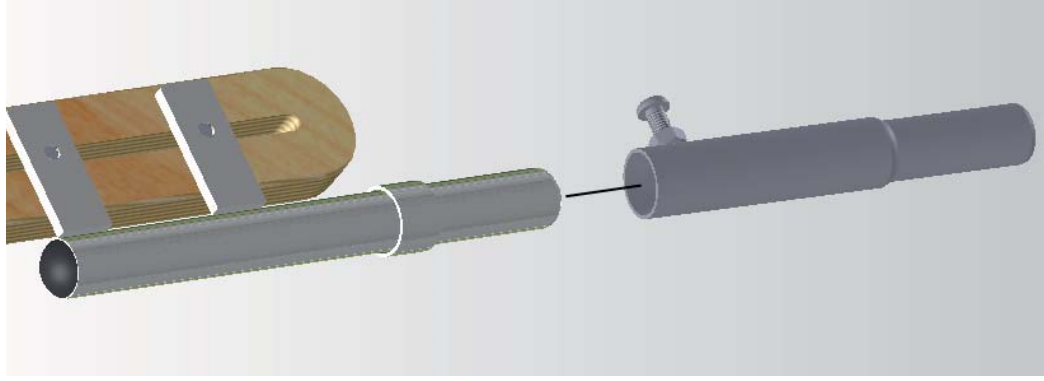
Seat Unit - Tray Assembly



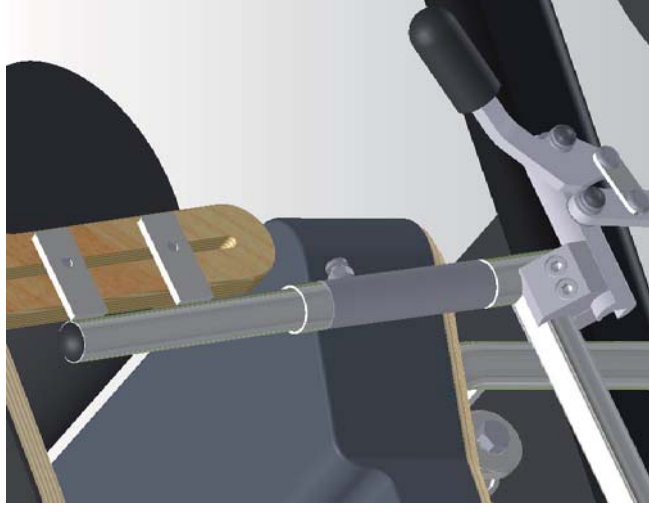
Seat Unit - Tray Assembly



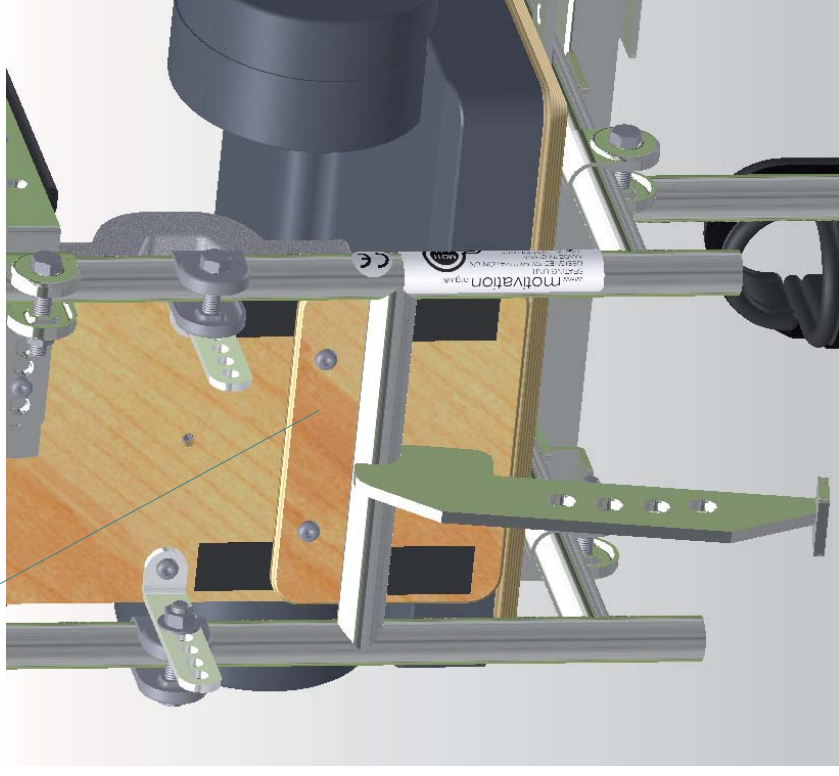
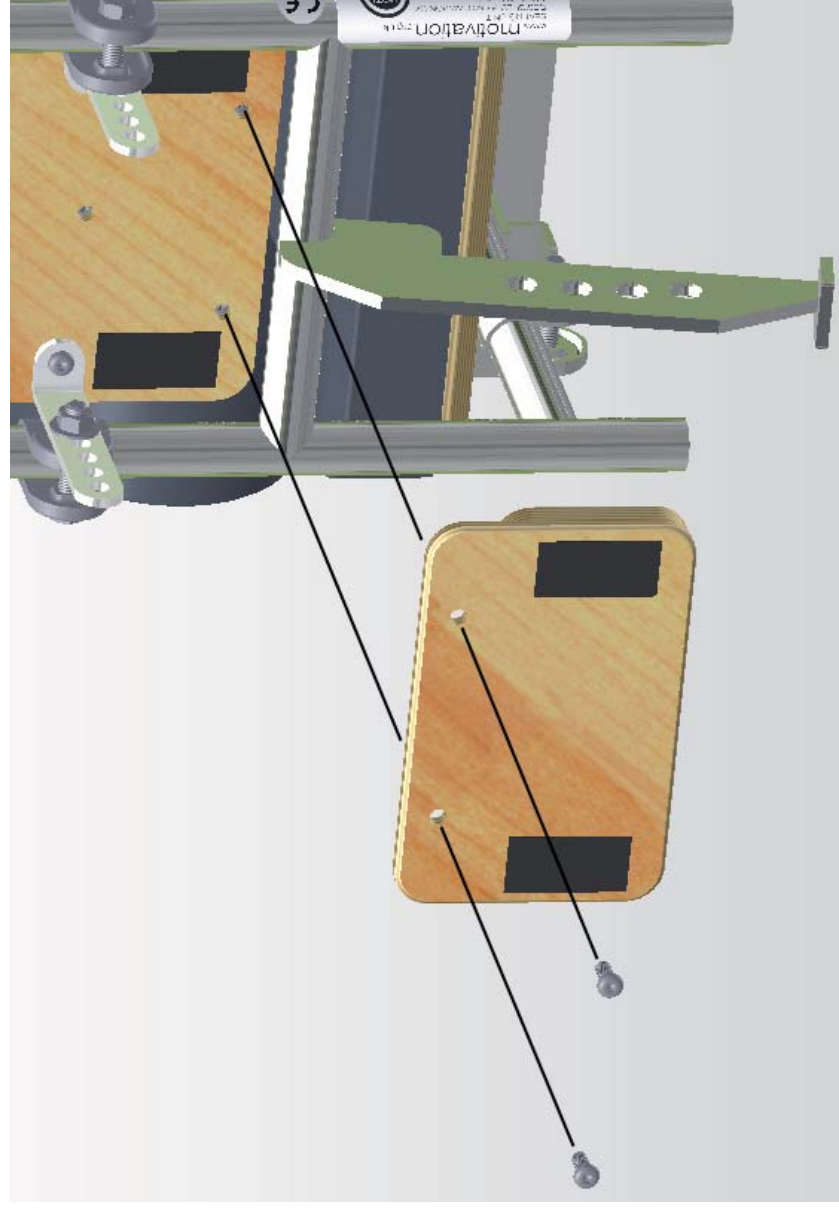
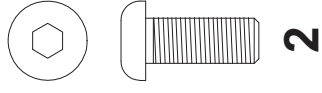
Seat Unit - Tray height Extension Tube Assembly



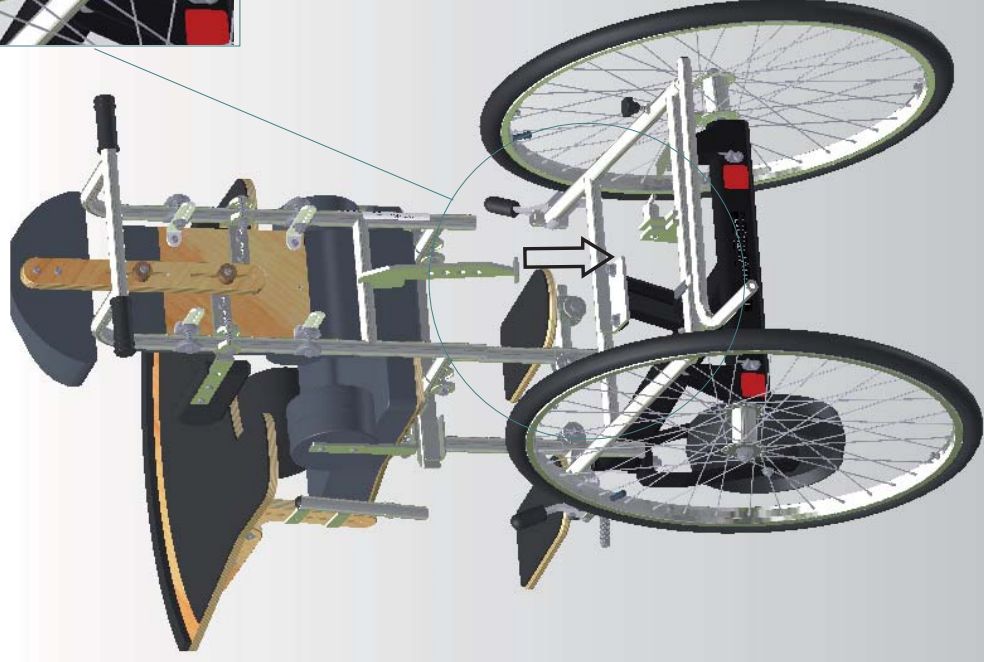
2
(Not to Scale)



Seat Unit - Backrest Extension Panel Assembly

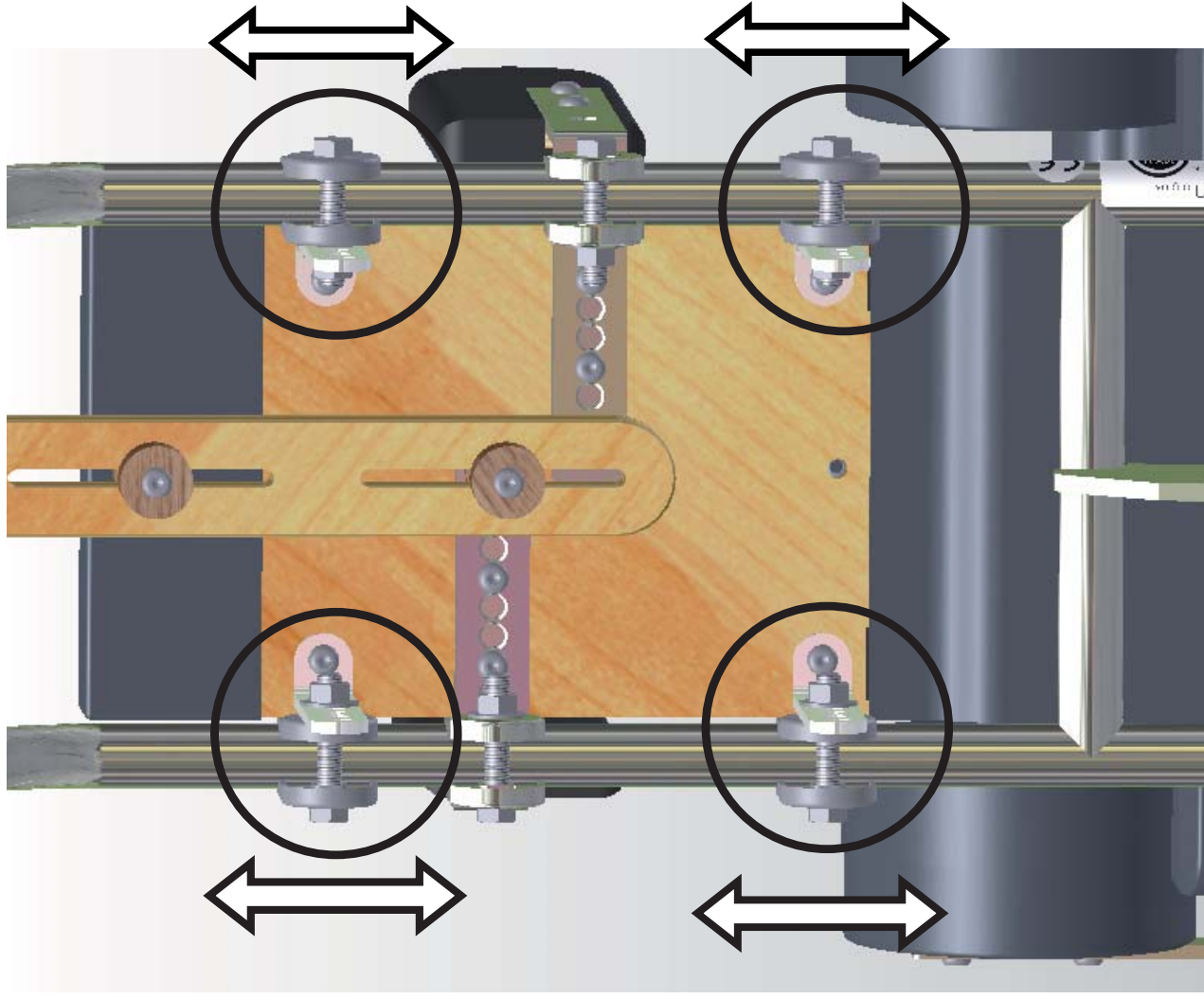


Seat Unit and Chassis Assembly

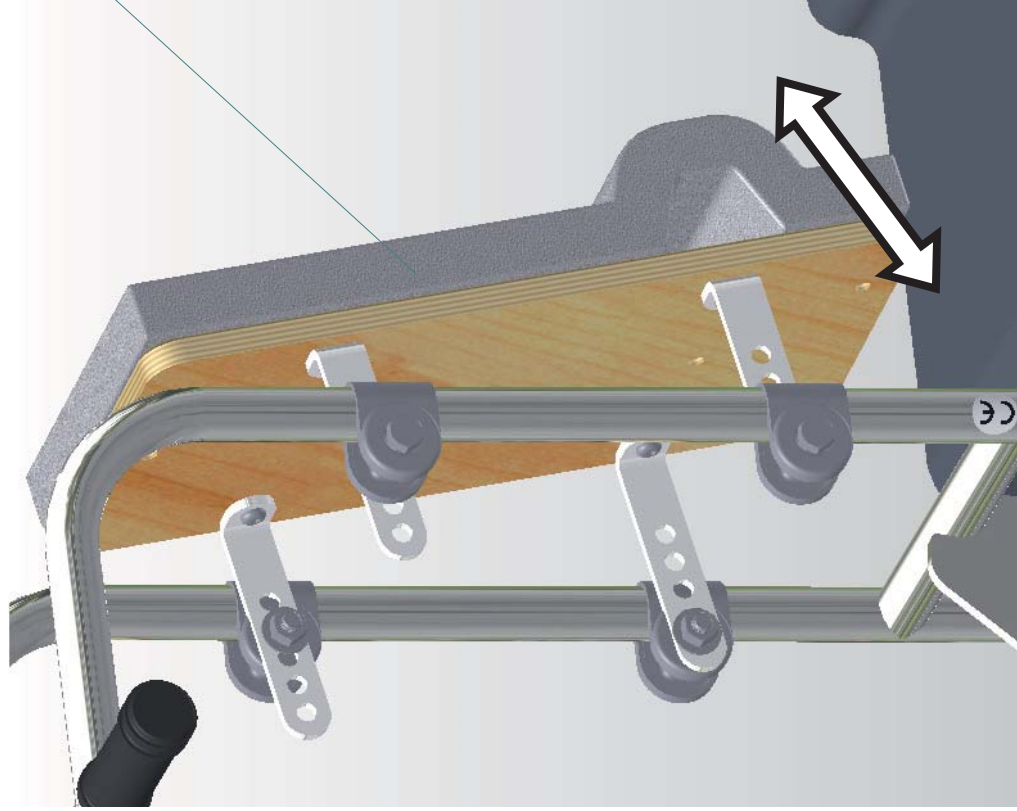
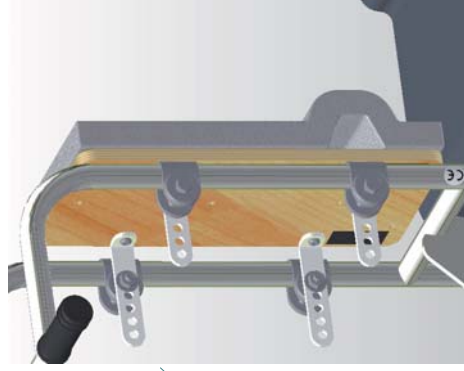


Moti Go Wheelchair - Adjustment of Parts

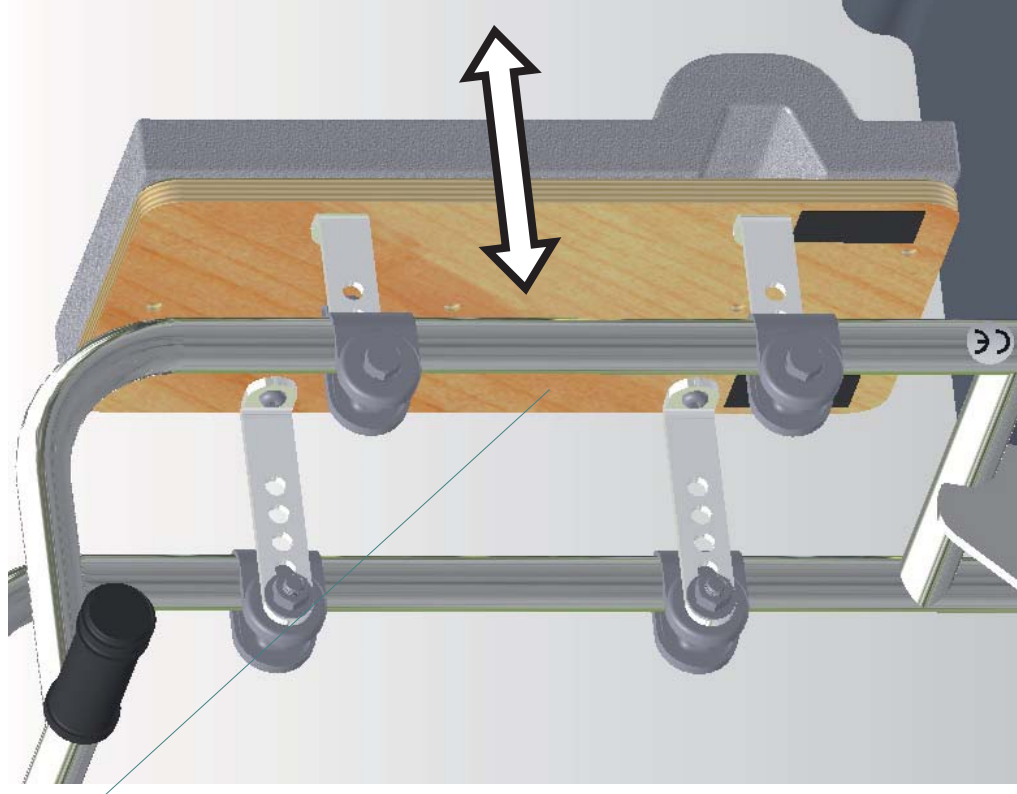
Adjustment - Backrest Height



Adjustment - Backrest Tilt Angle and Forward / Back Position

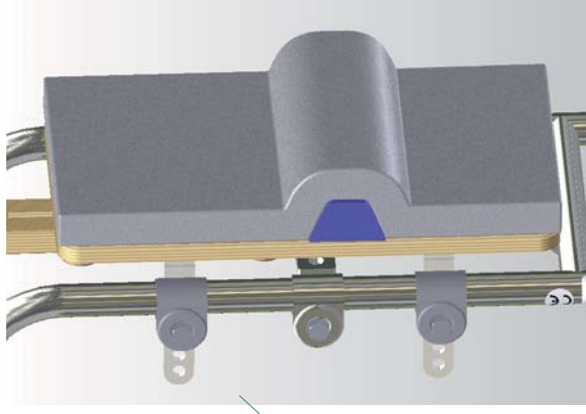
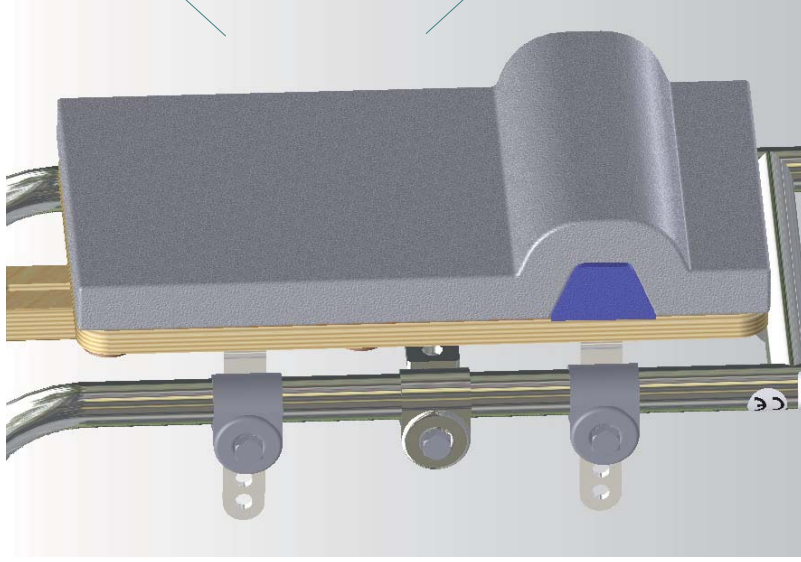
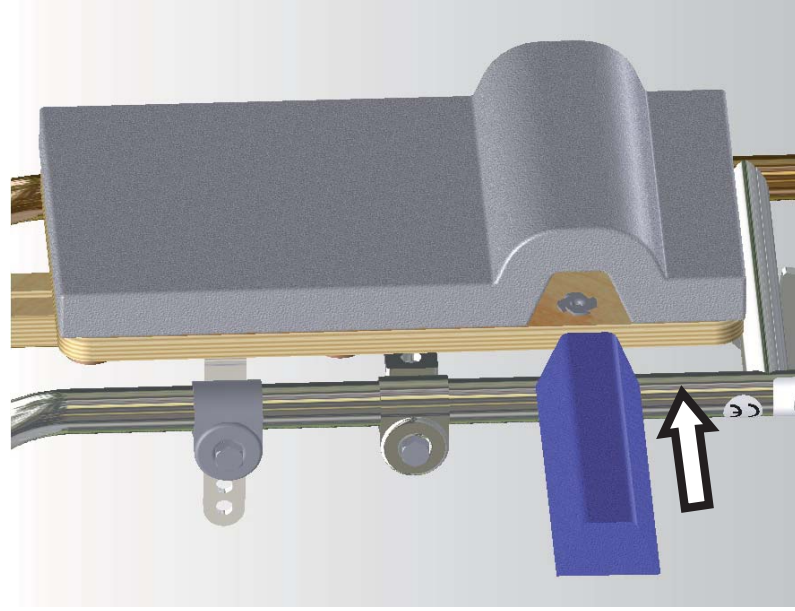


Tilt Adjustment

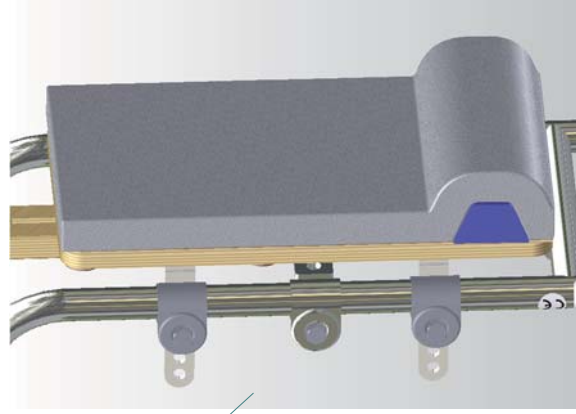


Forward / Back Adjustment

Adjustment - Sacral Pad Height



Highest Position



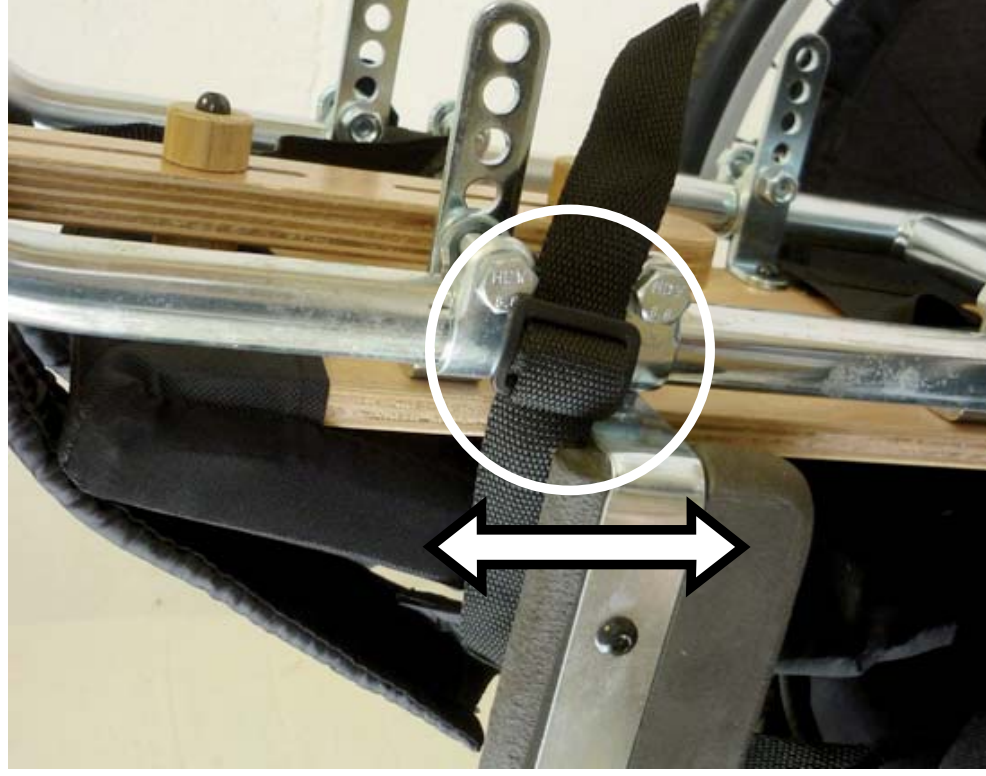
Lowest Position



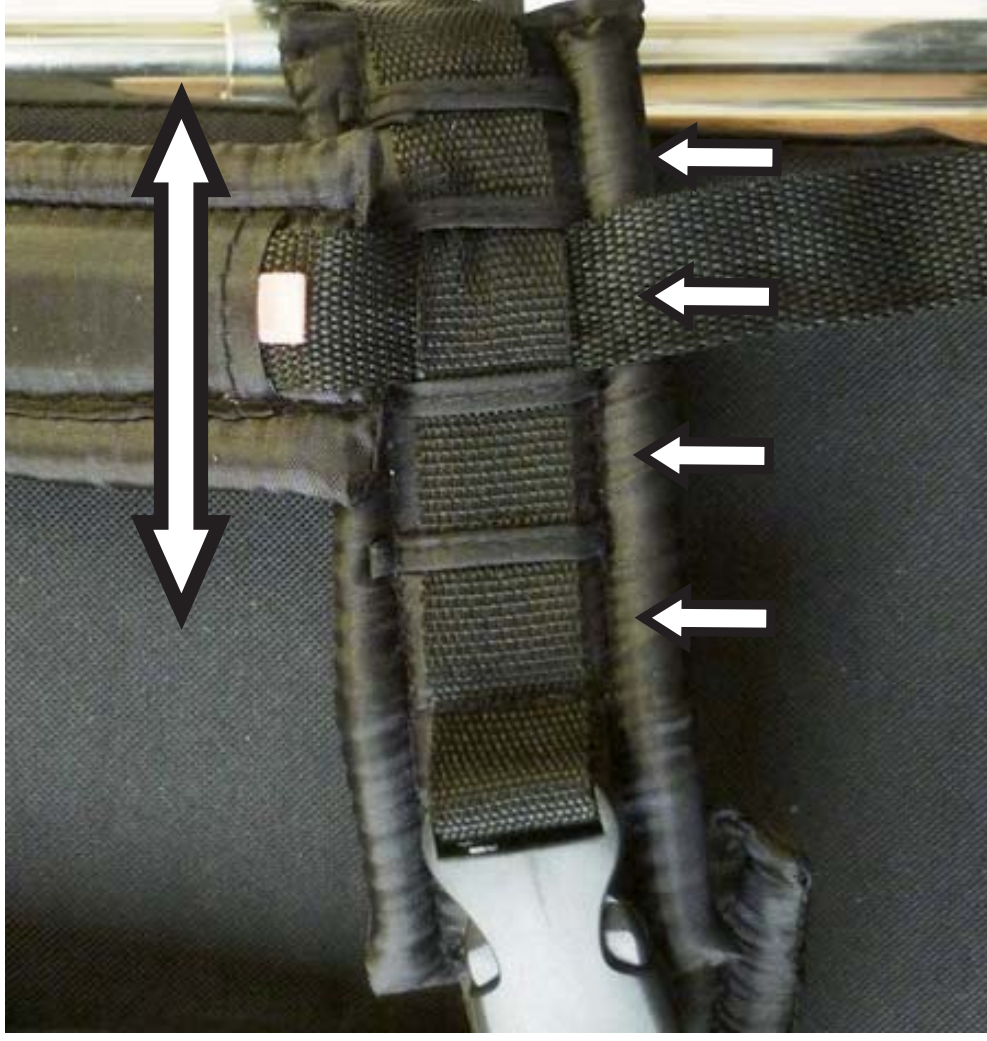
Adjustment - Sacral Pad Thickness



Adjustment - Shoulder Strap Position



Side Strap Height



Shoulder Strap Width Position

Adjustment - Shoulder and Pelvis Strap Length



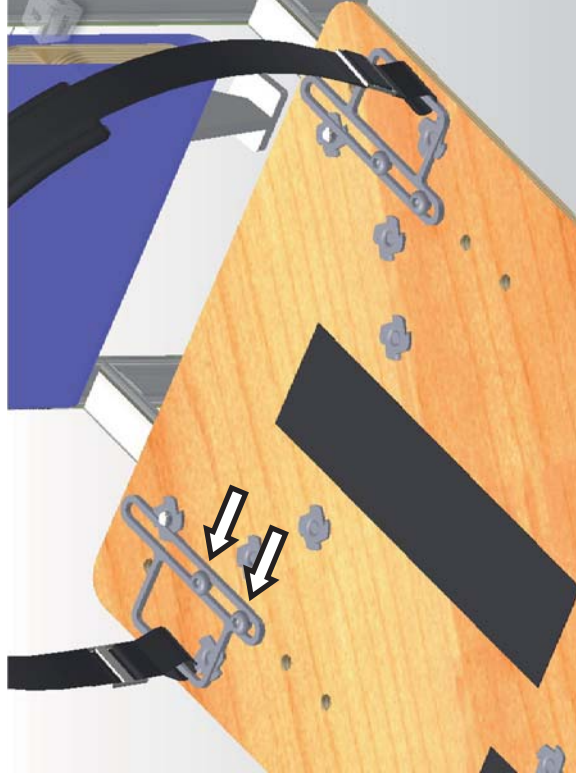
Shoulder Strap



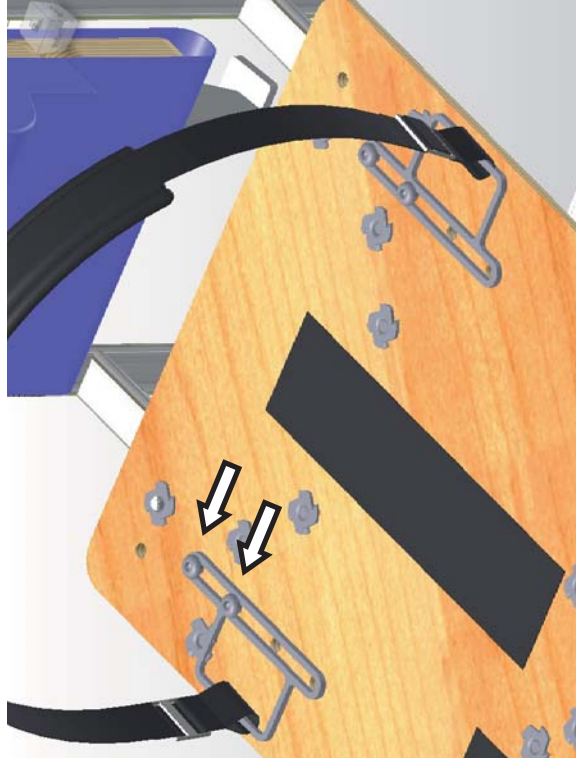
Pelvis Strap

Adjustment - Pelvis Strap Position

Back Position Range



Furthest Back Position



Furthest Forward Position

Forward Position Range



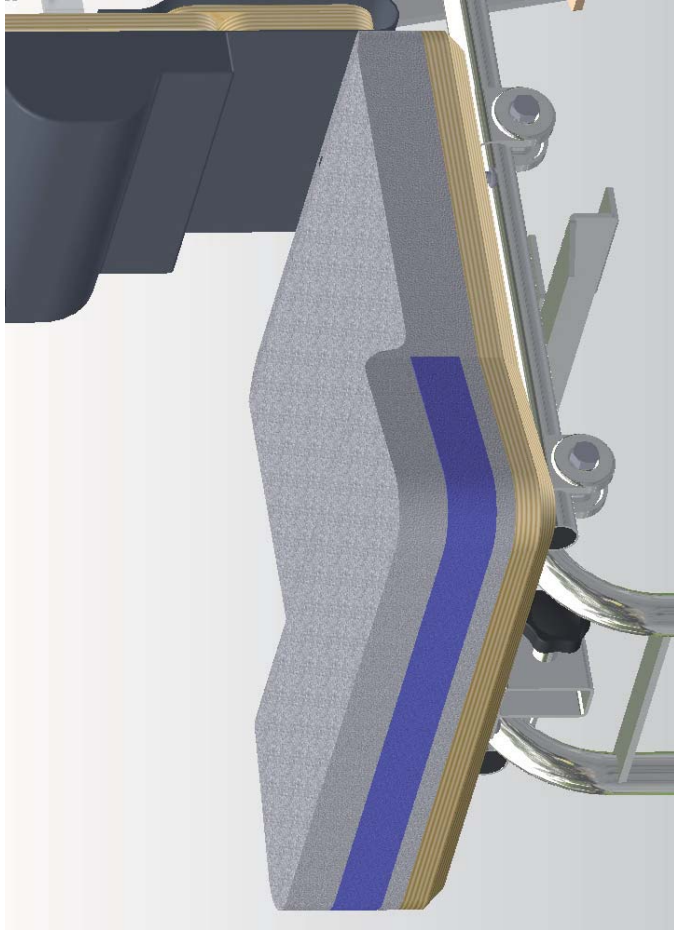
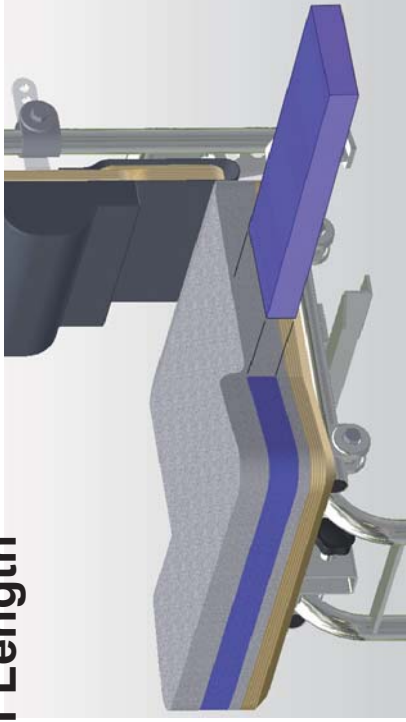
Furthest Back Position



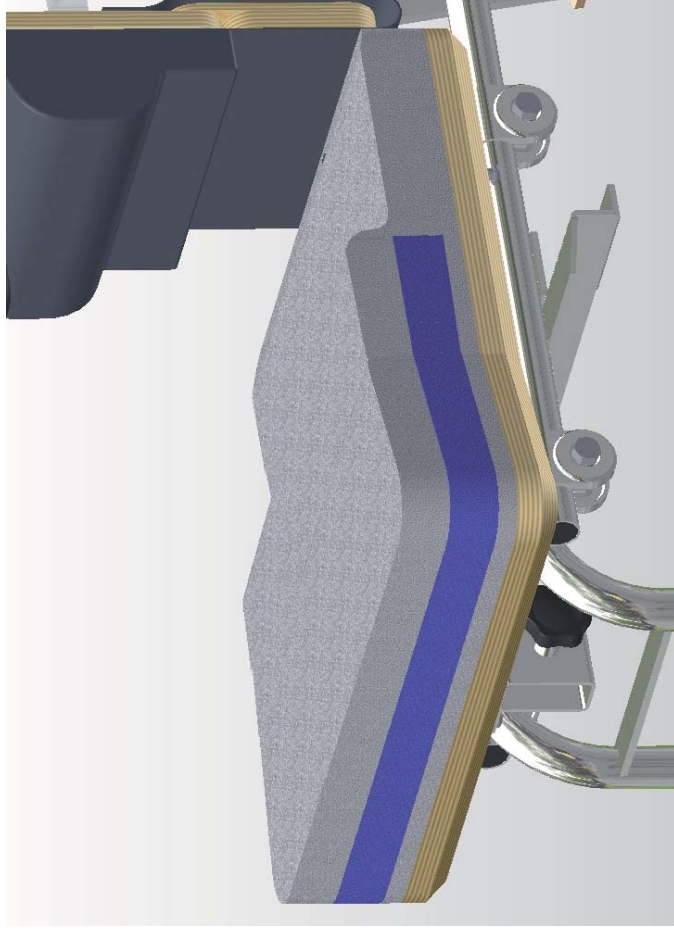
Furthest Forward Position



Adjustment - Pre Seat Bone Shelf Length



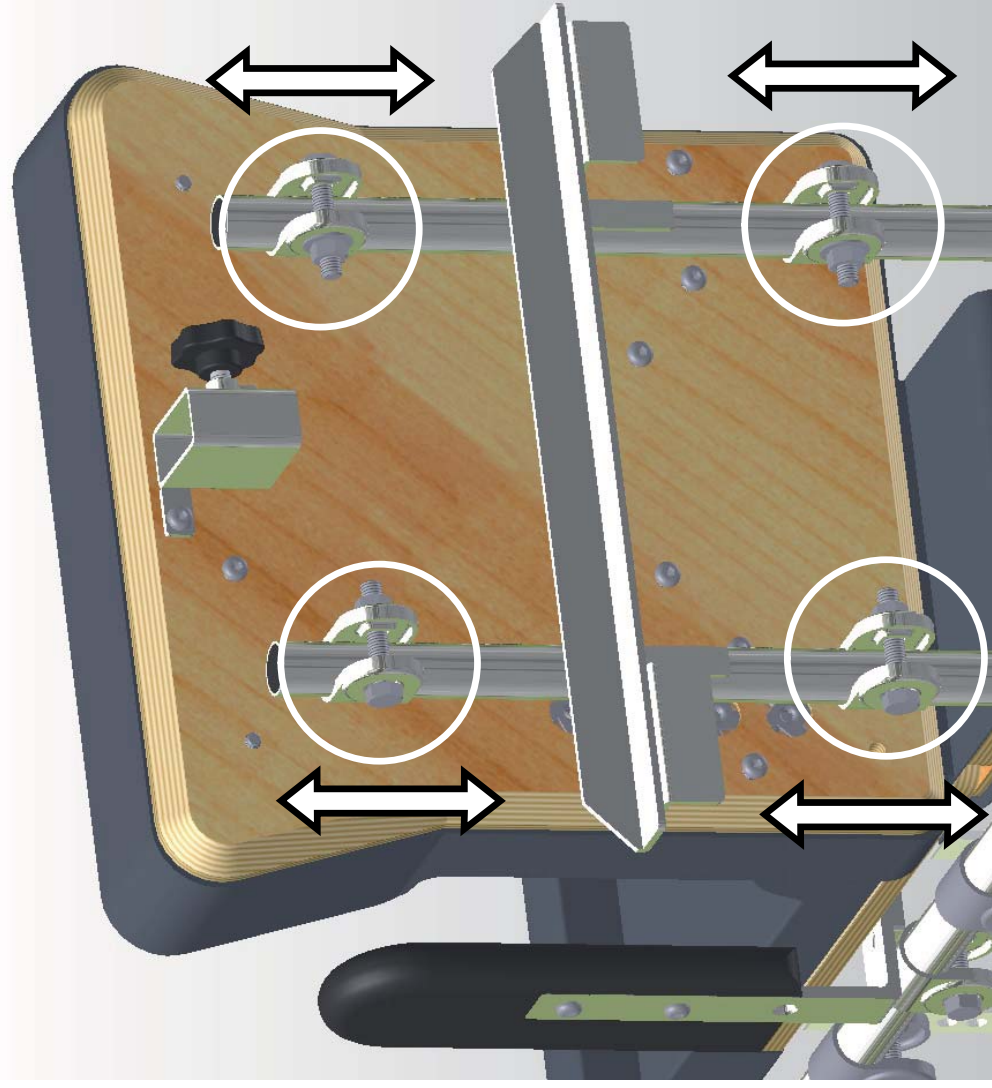
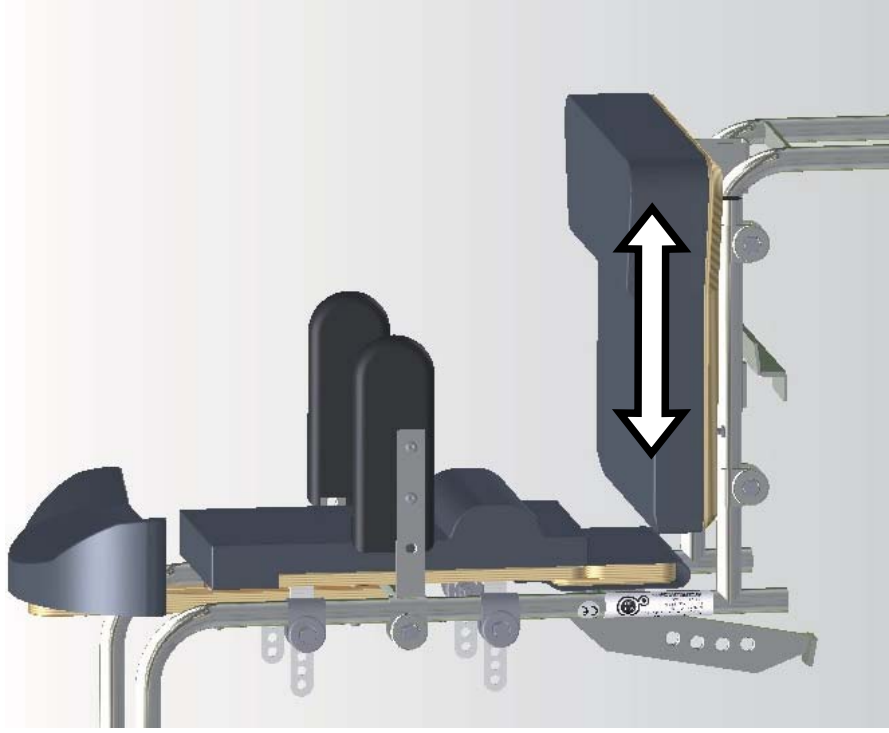
Shortest Length



Longest length

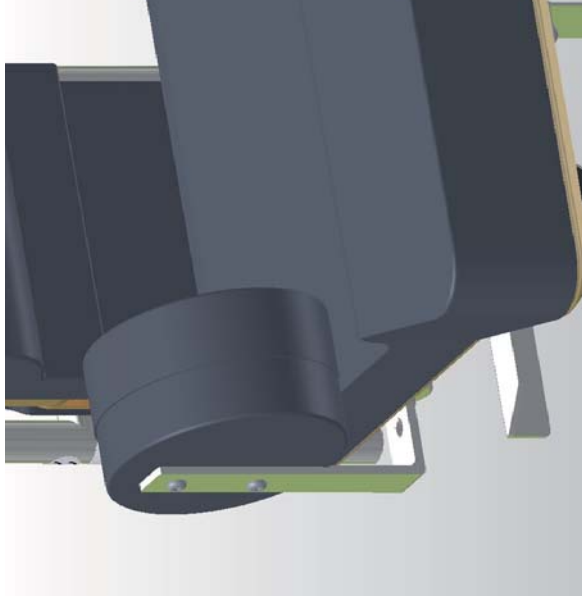
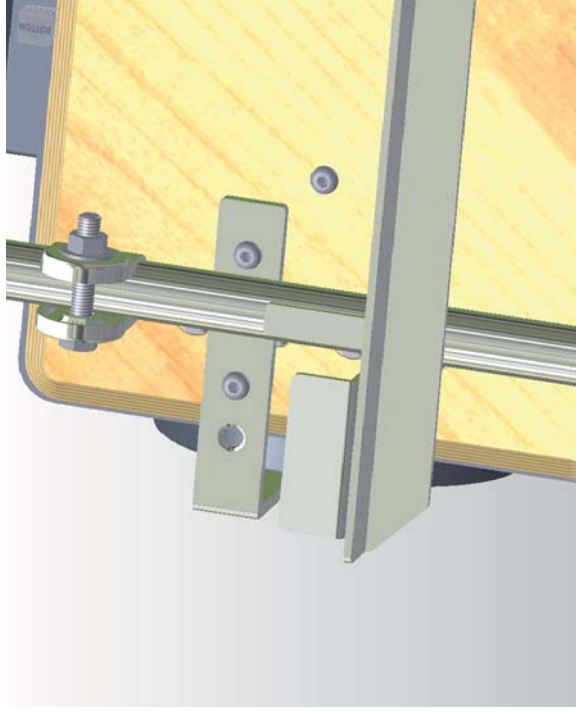


Adjustment - Seat Length

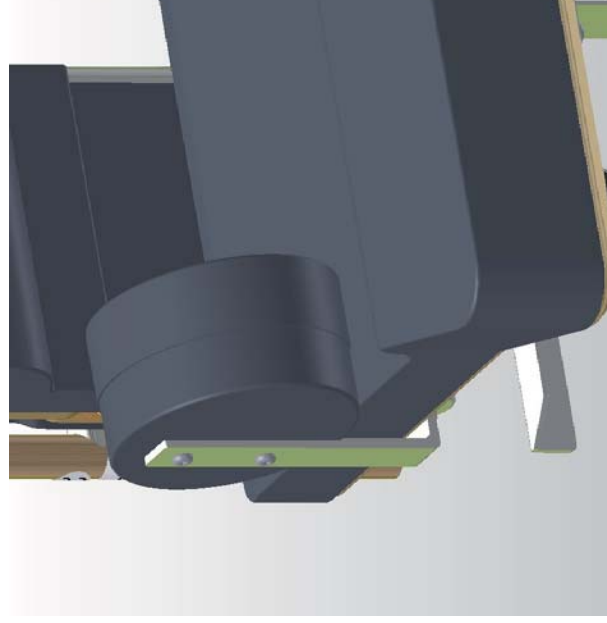
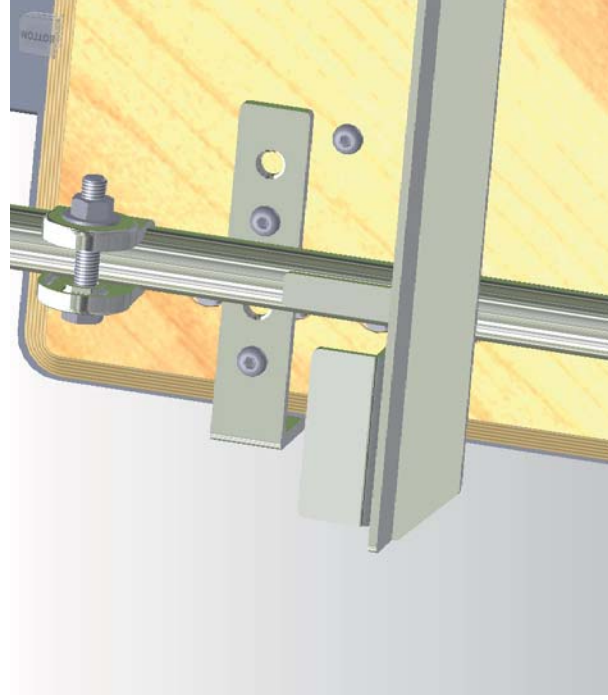


Adjustment - Hip Pad Width

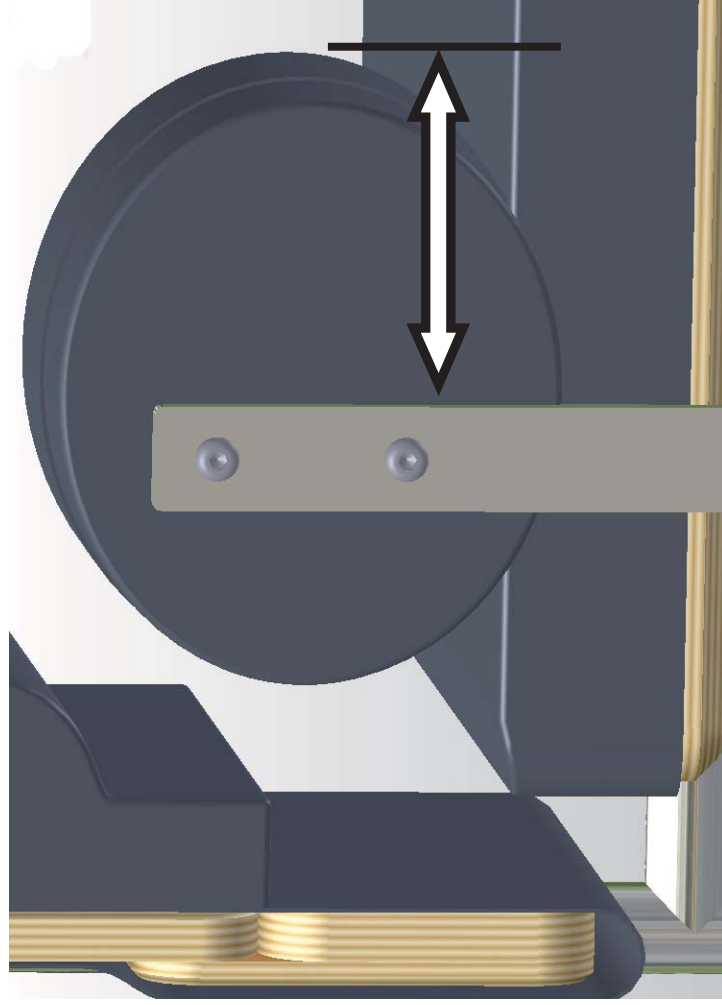
Wide Position



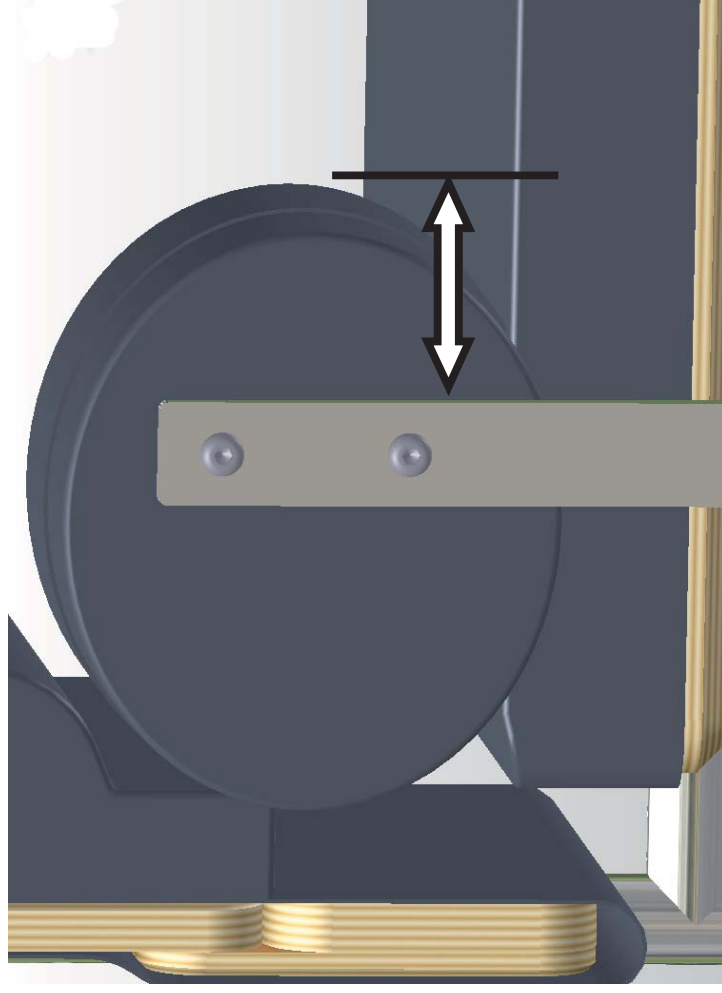
Narrow Position



Adjustment - Hip Pad Forward/Back Position

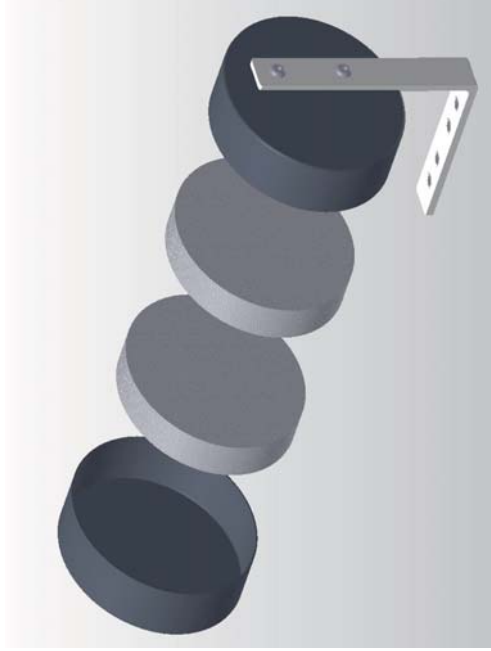


Forward Position

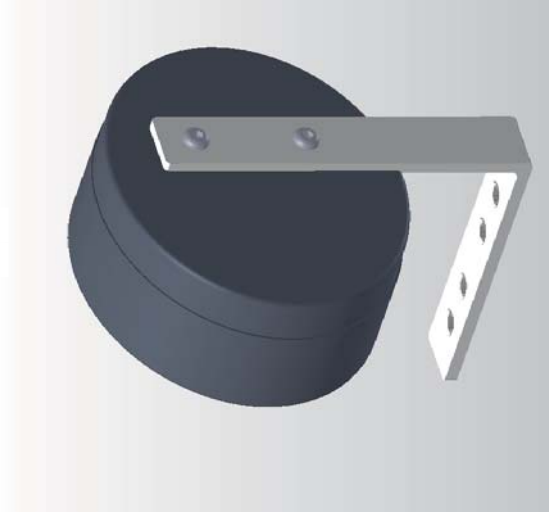


Back Position

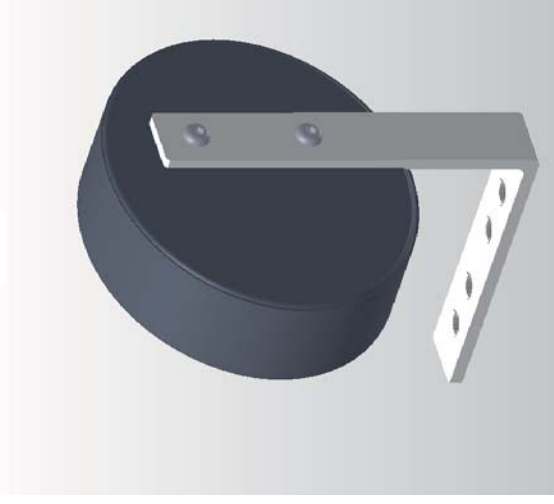
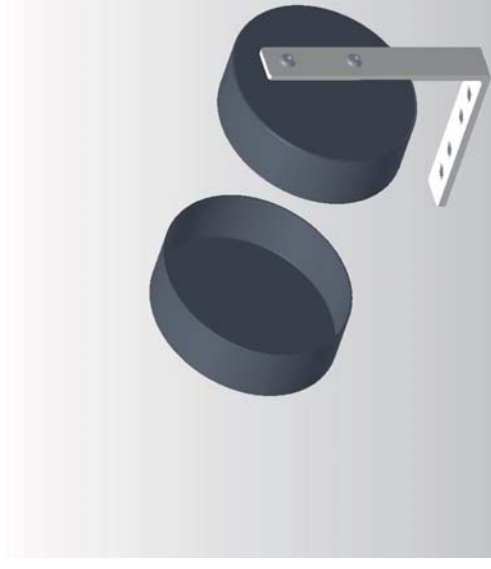
Adjustment - Hip Pad Thickness



Wide

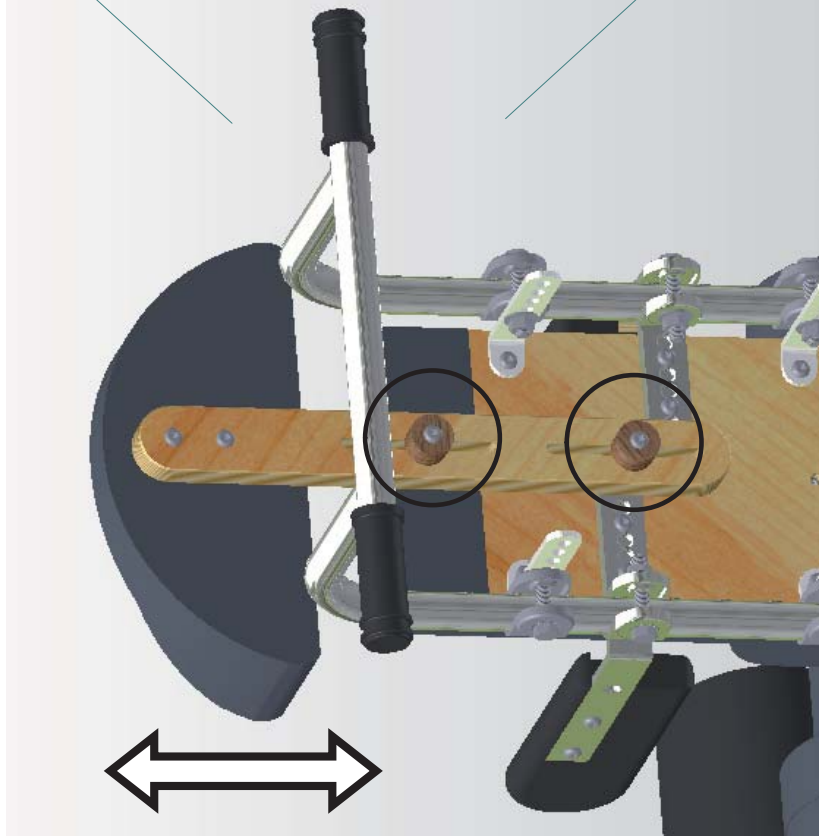


Medium

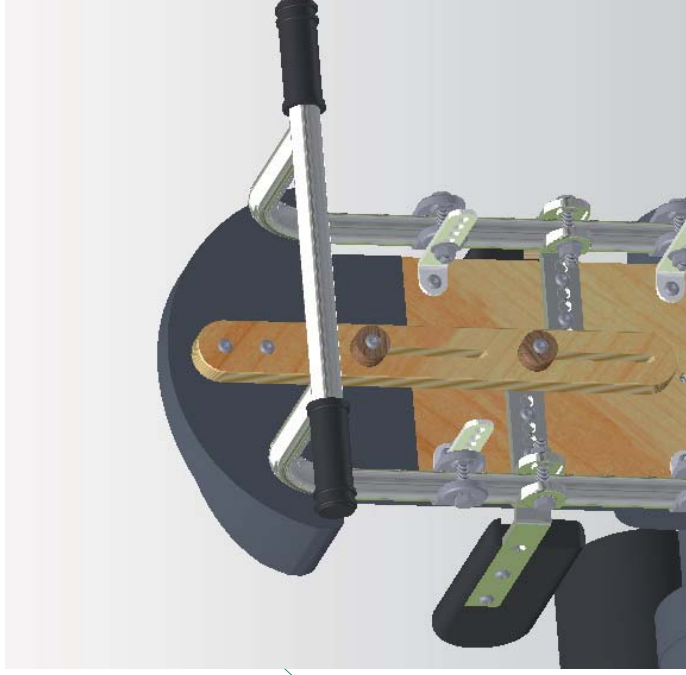


Narrow

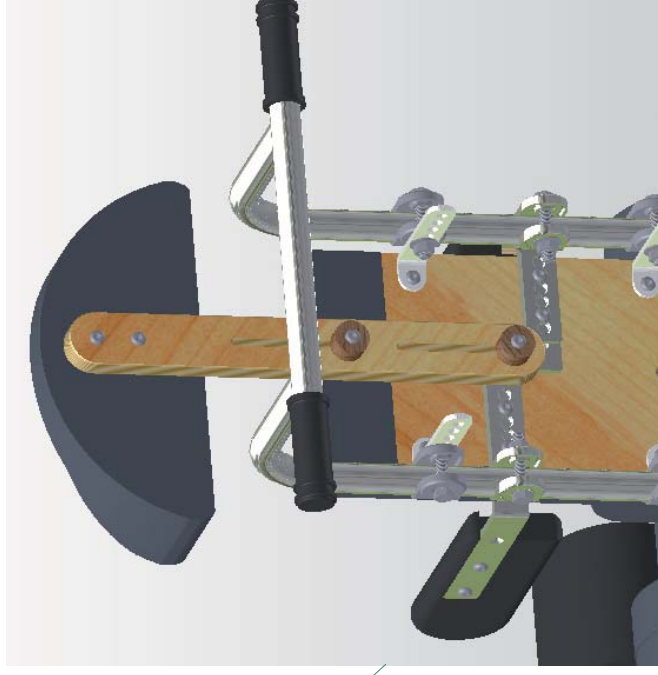
Adjustment - Headrest Height



Middle Height Position

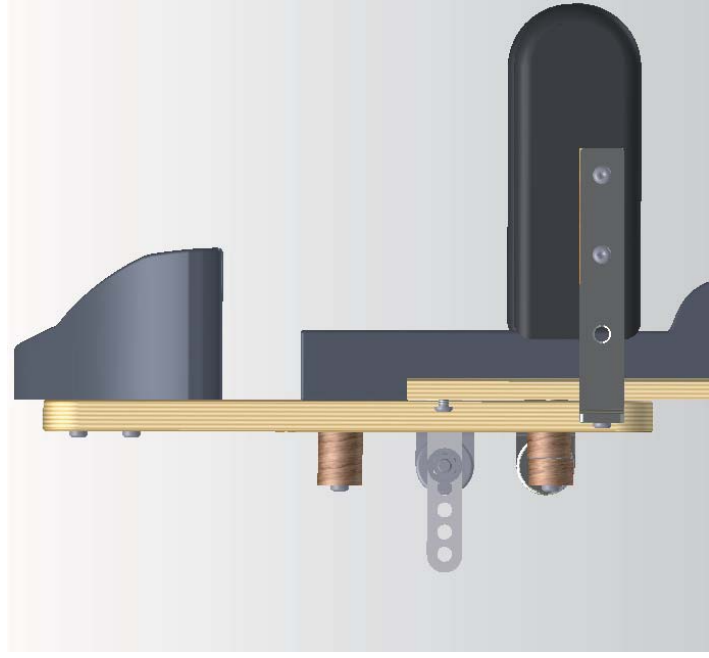
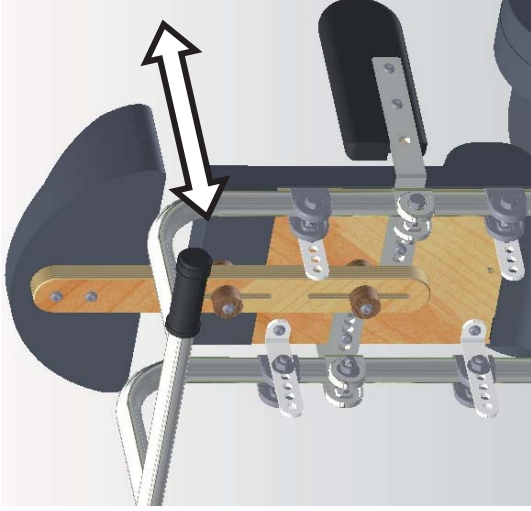


Lowest Position

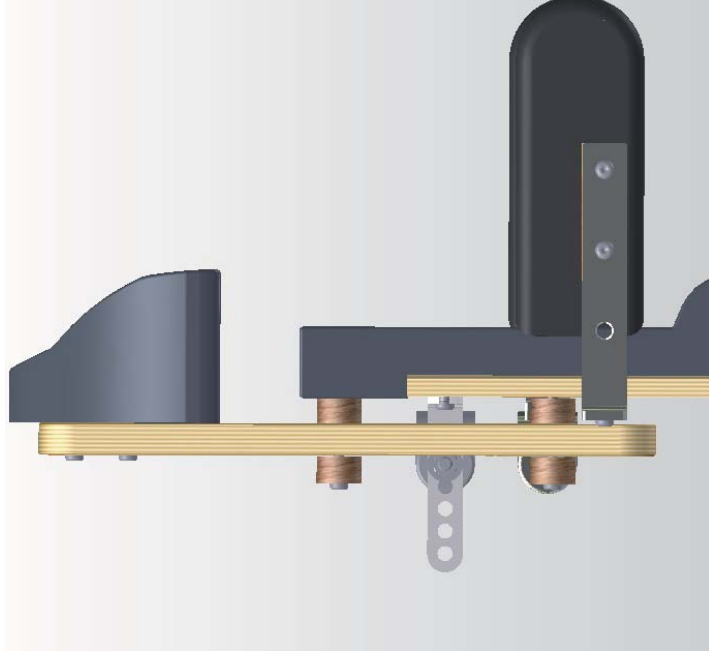


Highest Position

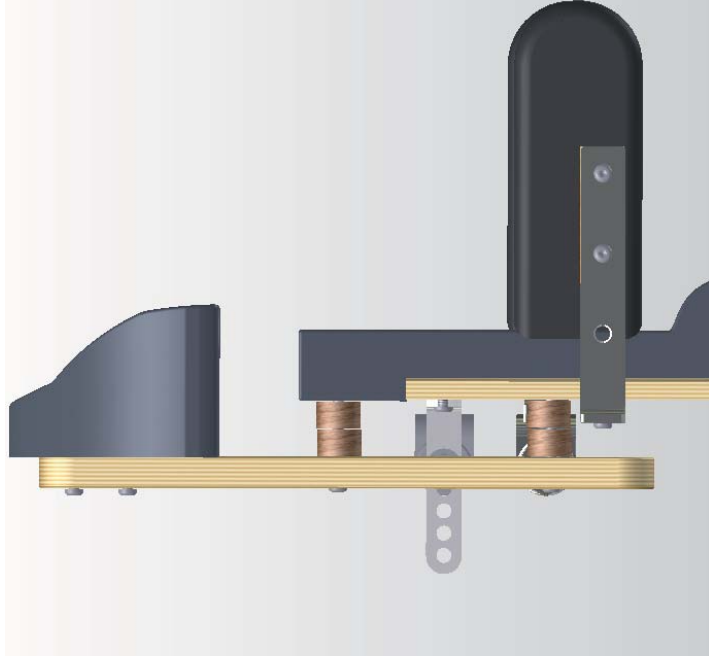
Adjustment - Headrest Forward / Back Position



Forward



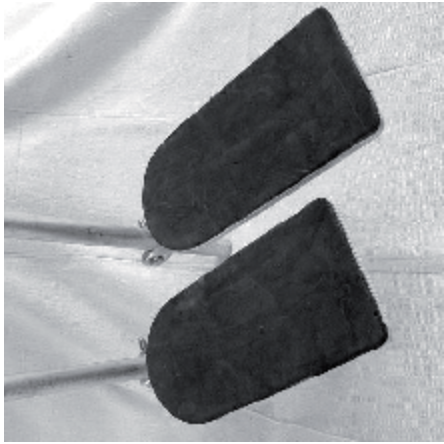
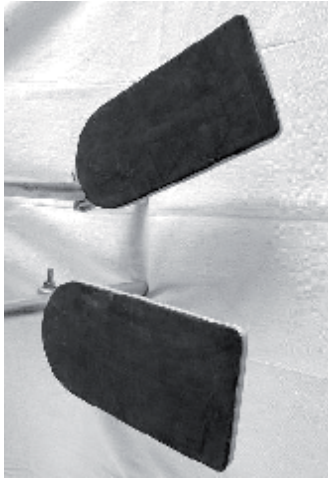
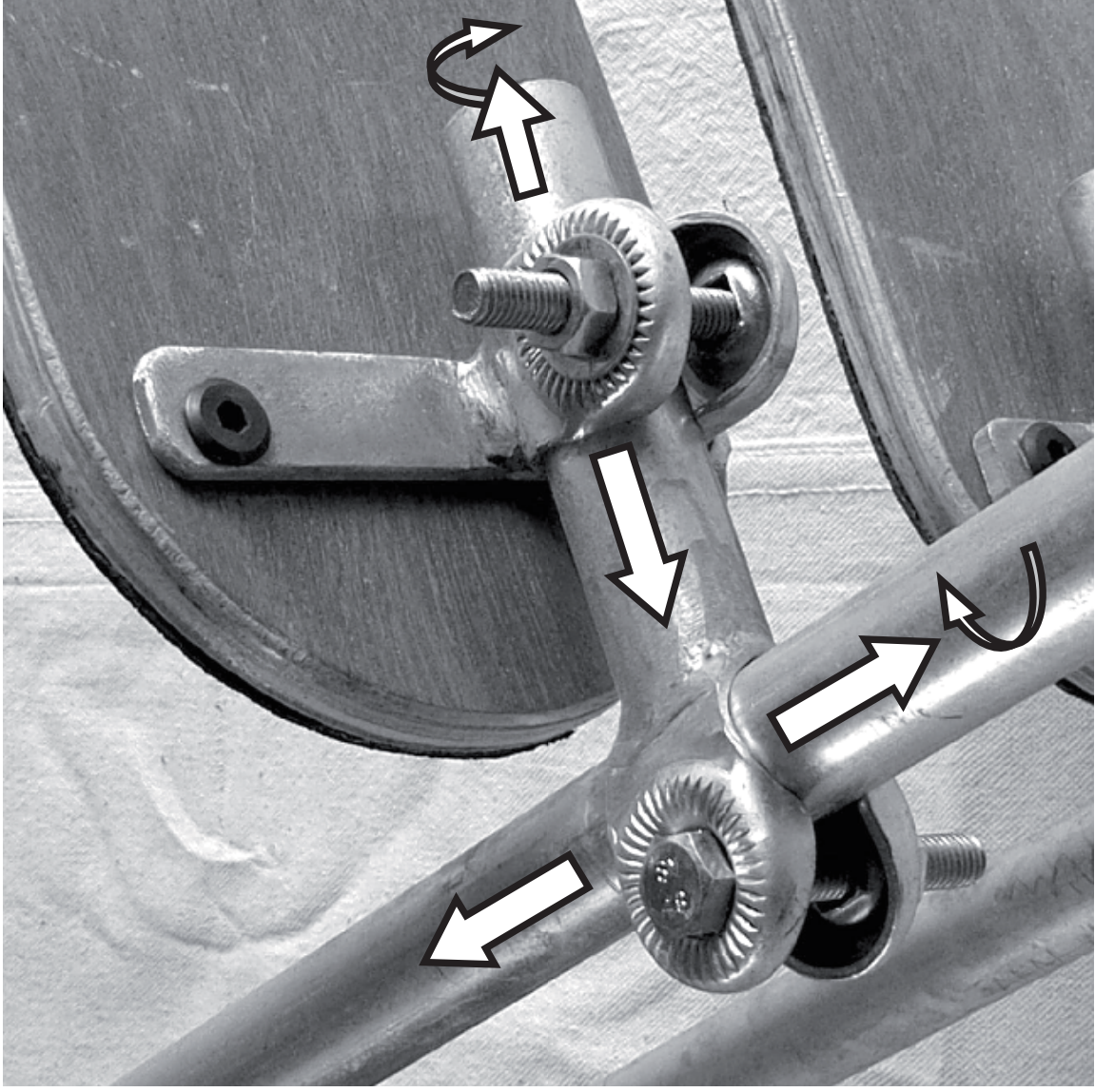
Middle



Back



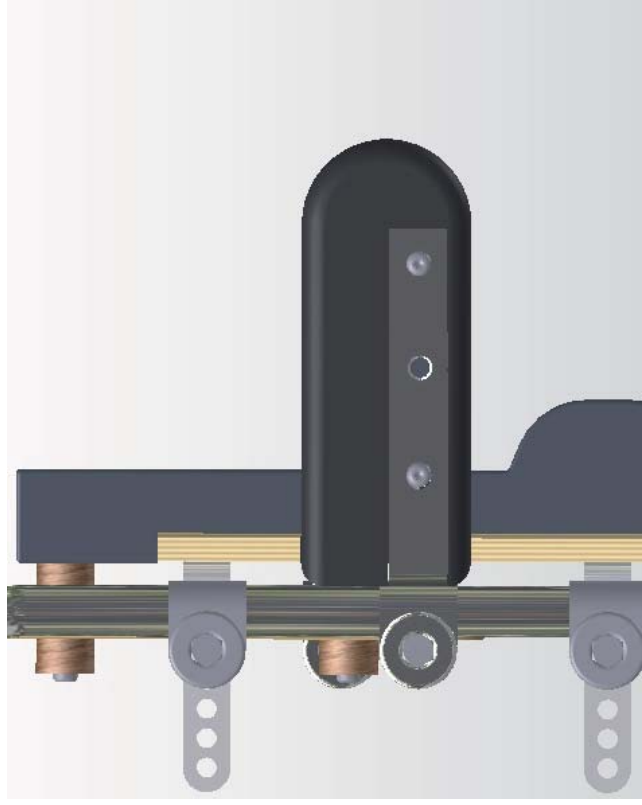
Adjustment - Footrest Height and Angle Positions



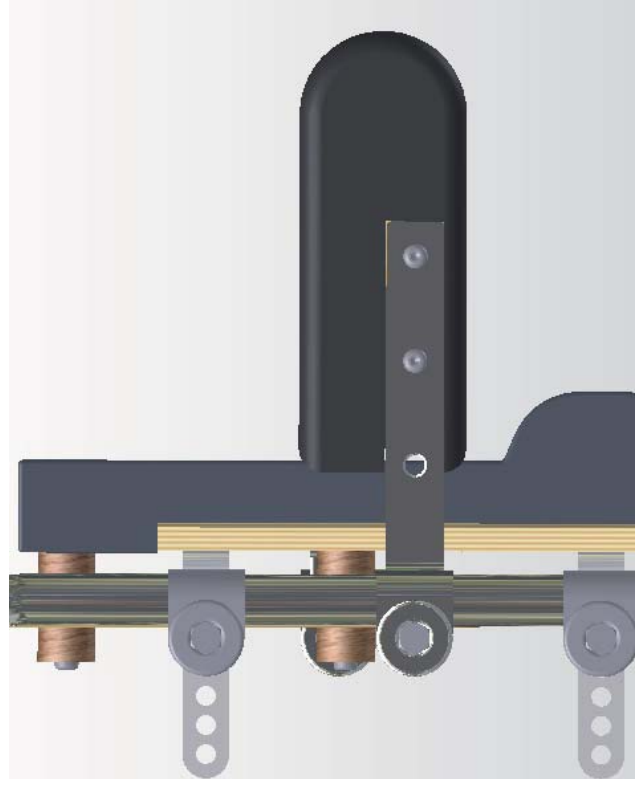
Adjustment - Lateral Trunk Support Forward / Back Position



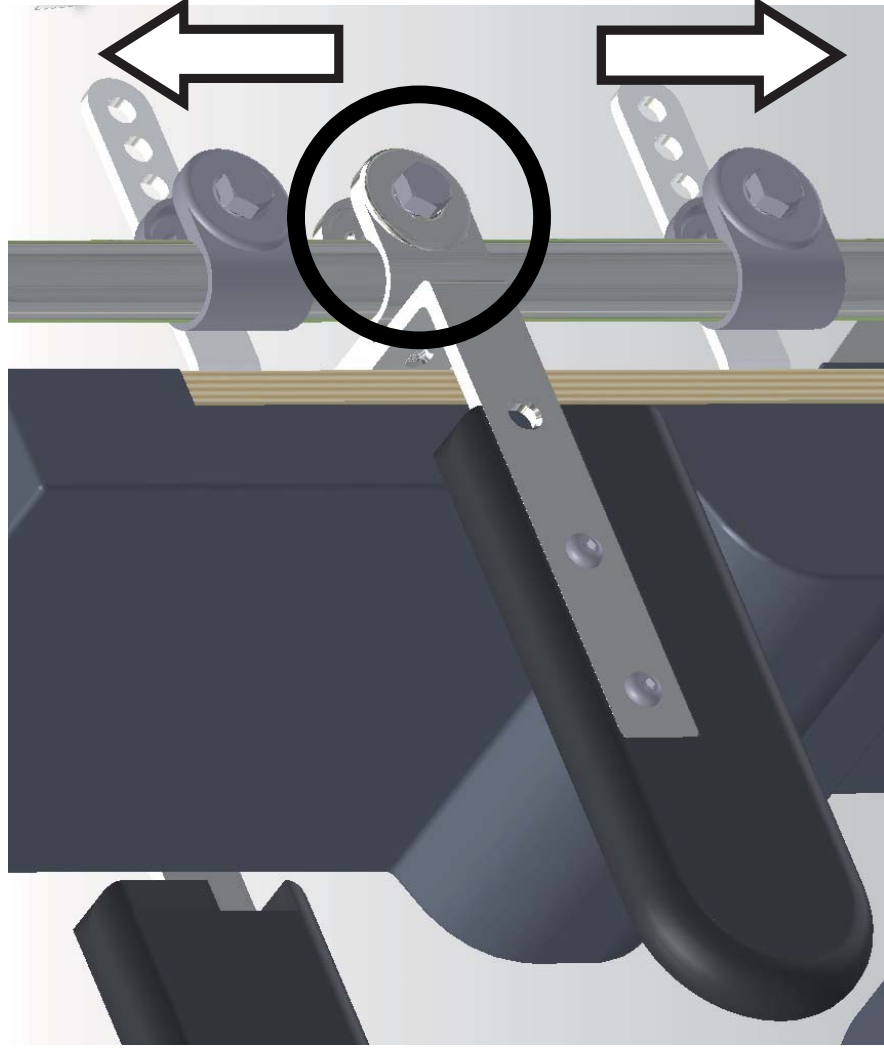
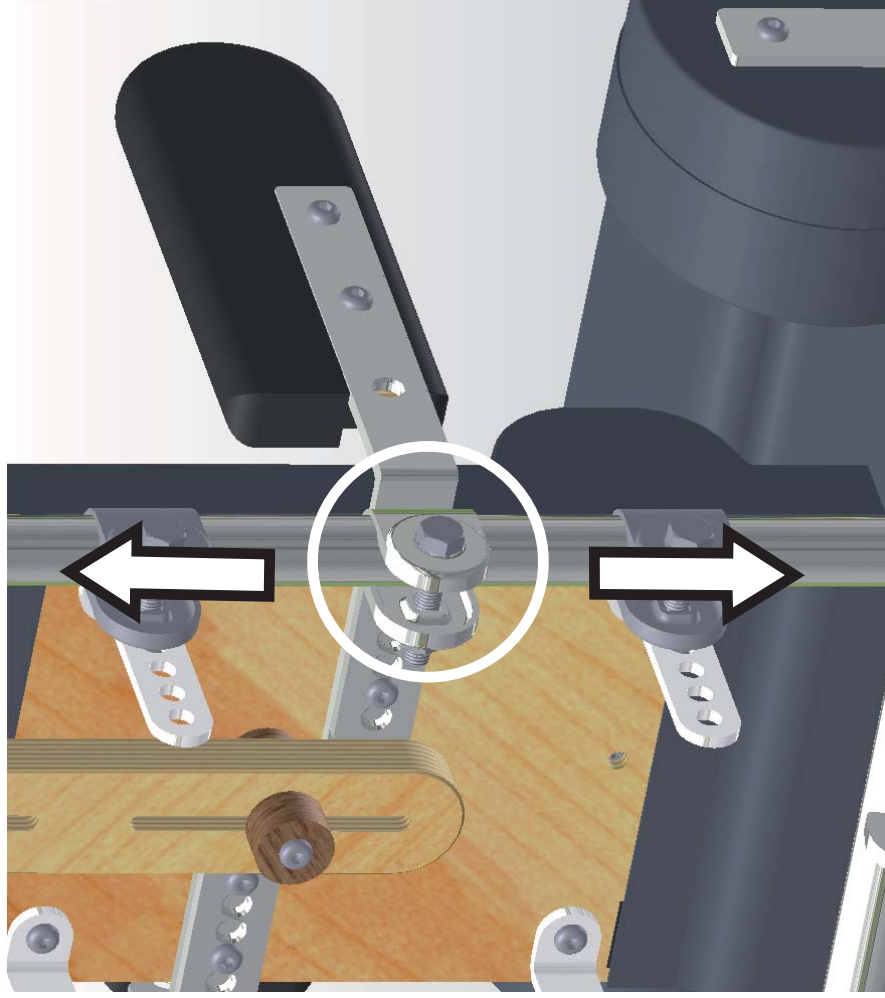
Back Position



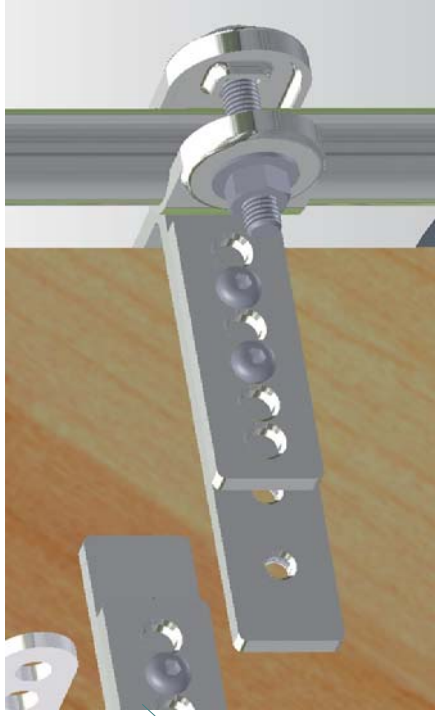
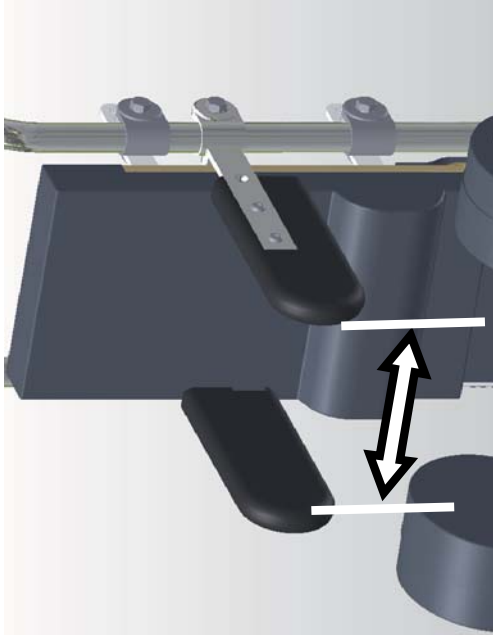
Forward Position



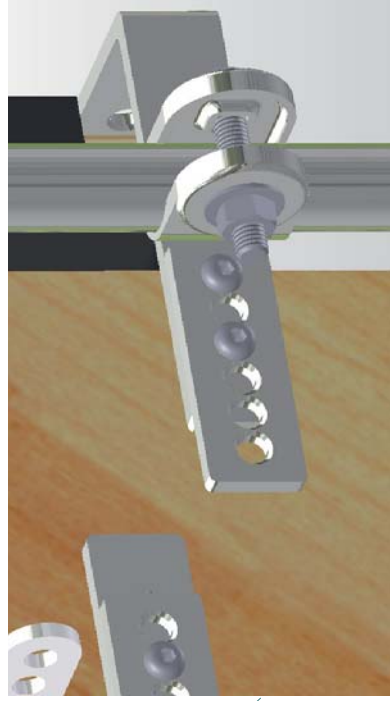
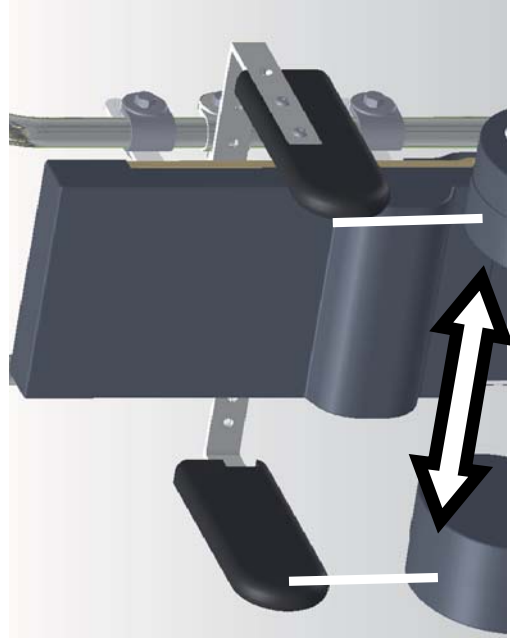
Adjustment - Lateral Trunk Support Height



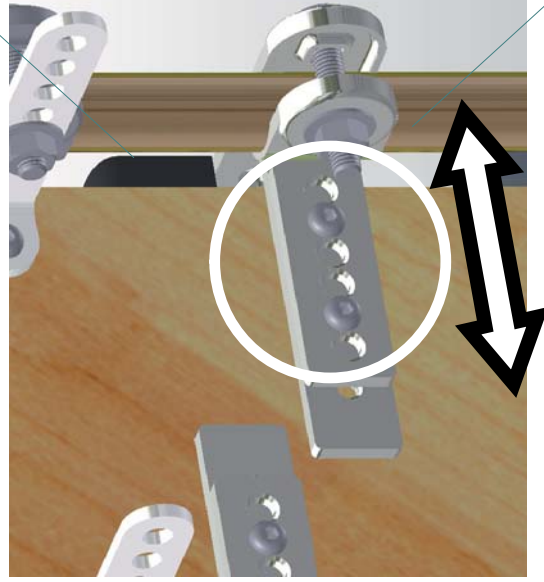
Adjustment - Lateral Trunk Support Width



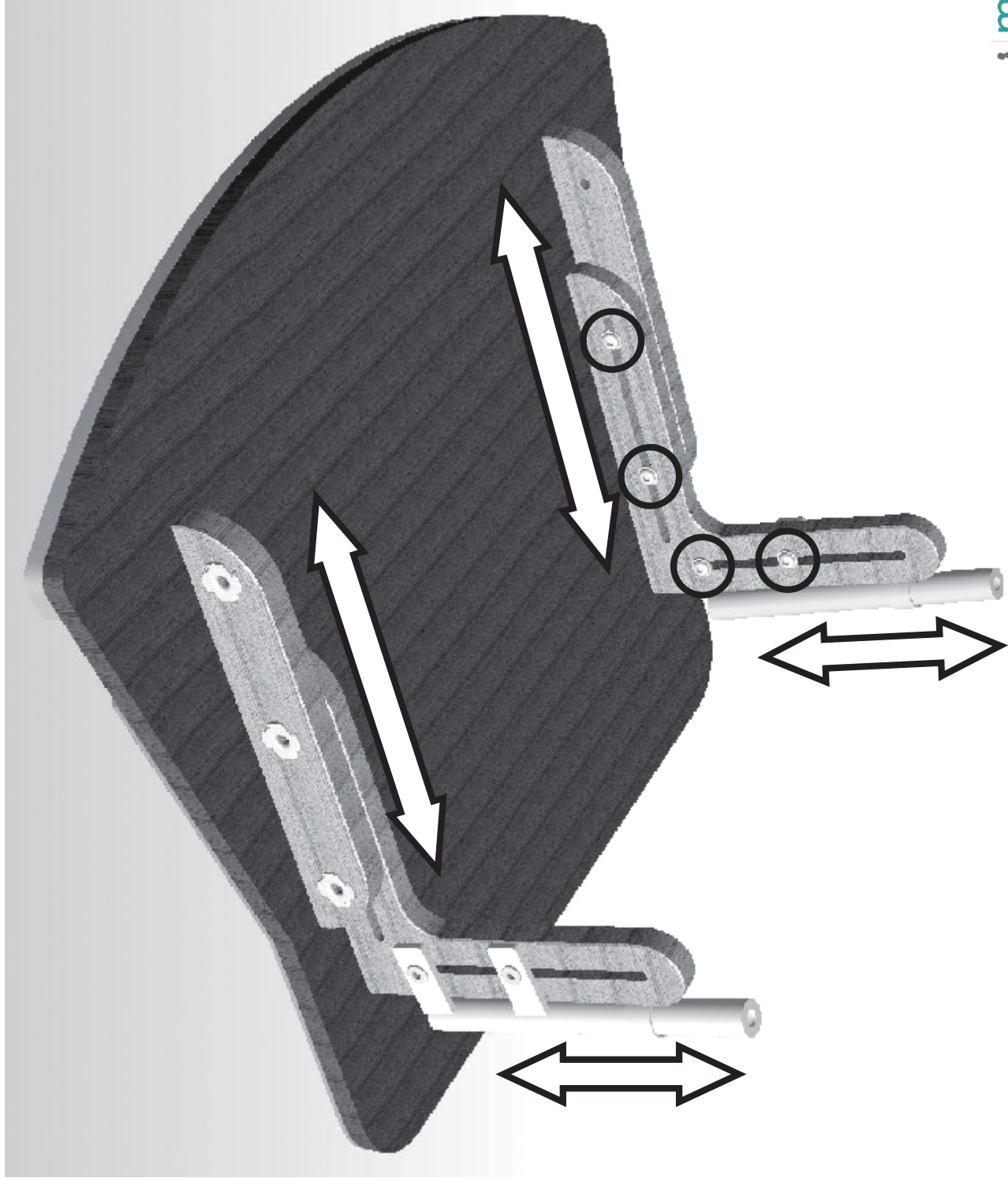
Narrowest Position



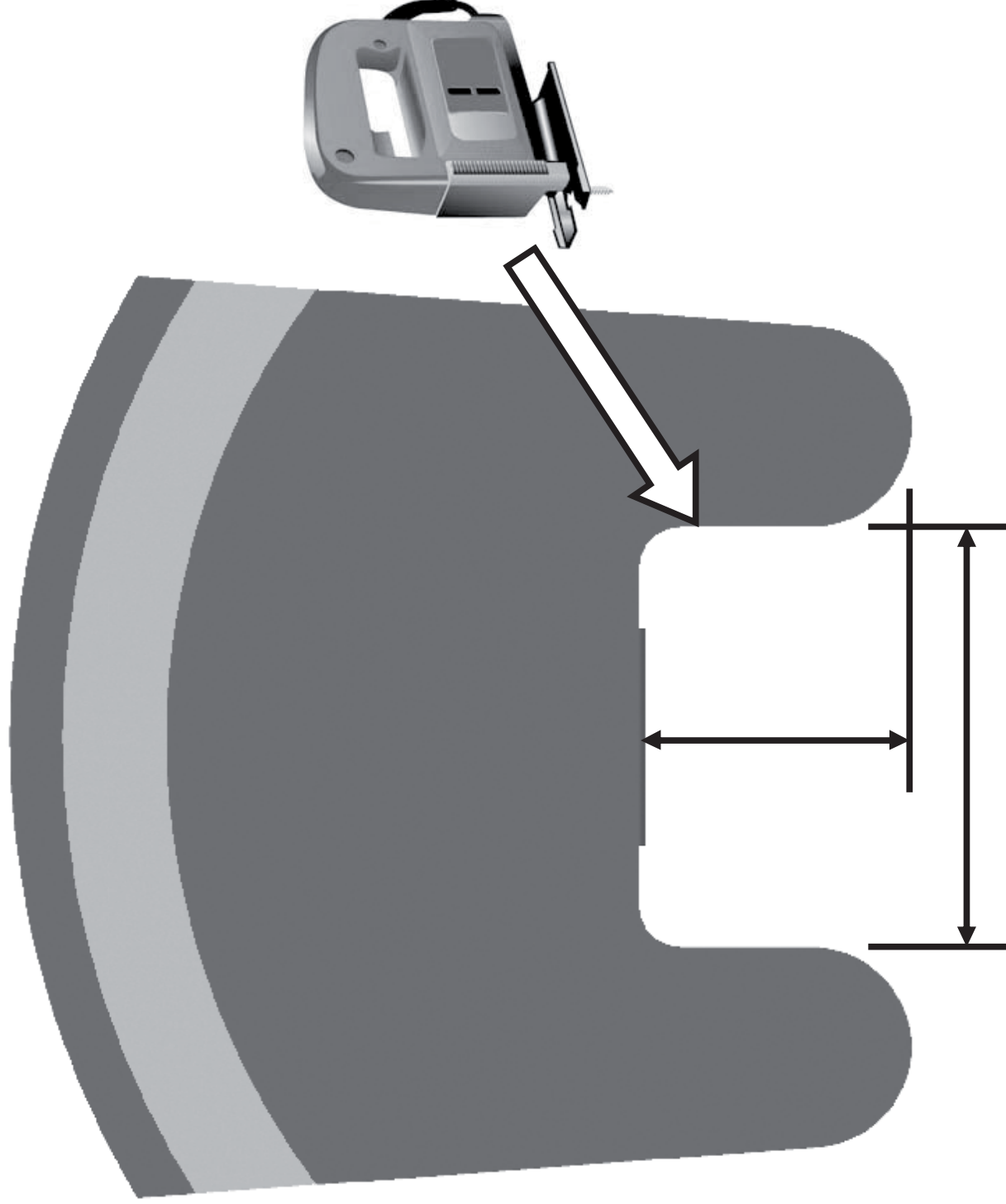
Widest Position



Adjustment - Tray Height and Forward / Back Position



Adjustment - Tray Cut-Out Width and Length



Adjustment - Knee Abductor Width and Angle

