

Product Summary

The Moti-Go Wheeled Supportive Seating is a locally size adjustable supportive wheelchair. It is intended for use by children and small adults who need extra postural support in combination with mobility. It is built on the WM3-01 platform, is flat pack and comes with many features such as a tray, tilt in space, headrest, and removable wheels and clip on clip off seating unit for ease of transportation. The wheelchair is distributed through a network of Motivation's service partners worldwide.

Moti- Go Supportive Seating	
Product Code	WMSSG2-01 (size M), WMSSG3-01 (size L)
Product Description	Wheeled Supportive Seating
Manufacture	Made in China under license from Motivation
Document Issue	9
Date of issue	August 2013

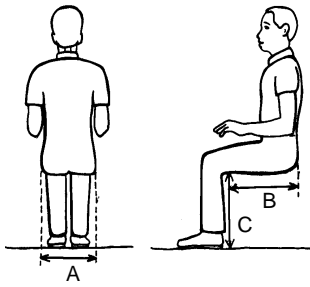


Overview

- The Moti-Go Supportive Seating is a highly adjustable wheelchair, which can grow with the child or young adult.
- It has a powder coated mild steel frame, with hard wearing upholstery and adjustable postural support components.
- It has a single large rubber castor wheel at the front, a long wheelbase and 26" pneumatic rear tyres. This helps the user to self propel or for the attendant to push the wheelchair safely over uneven and sloping ground. High quality chrome finish pushrings are available as an accessory part.
- The wheelchair has been designed so that parts are easy to replace, repair or customise and uses common rear wheel and bearing sizes, for ease of maintenance.
- The boxed flat-pack supportive seat and chassis can be assembled and adjusted into a wide range of sizes. The supportive seat and chassis are boxed separately.
- The chairs need to be individually assembled and we recommend they are fitted to each user by trained assemblers & practitioners.
- The packaging is designed for easy disassembly for recycling or re-use.



Product user group



- Moti-Go Supportive Seating is for children between the approximate ages 3 to 17 years of age, depending on body measurements.
- There are two sizes of wheelchair to cover this range, medium (M) and large (L). For a smaller size child, Motivation recommends the Moti-Start.
- The Moti-Go is suitable for users whose body measurements fall within the following ranges:
 - A. Hip width: M(170-290)mm , L (135-330)mm
 - B. Buttock to back of knee: M(310-390)mm , L(325-480)mm
 - C. Back of knee height from bottom of feet:
M (160-420)mm, L (160-420mm)
- Maximum user weight:
WMSSG2: 50Kg(110lbs) WMSSG3: 75kg(165lbs)

Environment

- The wheelchair is designed for better performance over rough ground and in conditions normally found in rural areas.
- However the wheelchair is also being used successfully in urban and semi-urban areas which often have similar road conditions and obstacles to rural areas.
- The wheelchair is stable and rides easily over rough ground because it has a long wheelbase, large front castor wheel and cambered rear wheels.
- Although the wheelchair is primarily for outdoor use it is also suitable for use indoors.

Supportive Seat adjustments

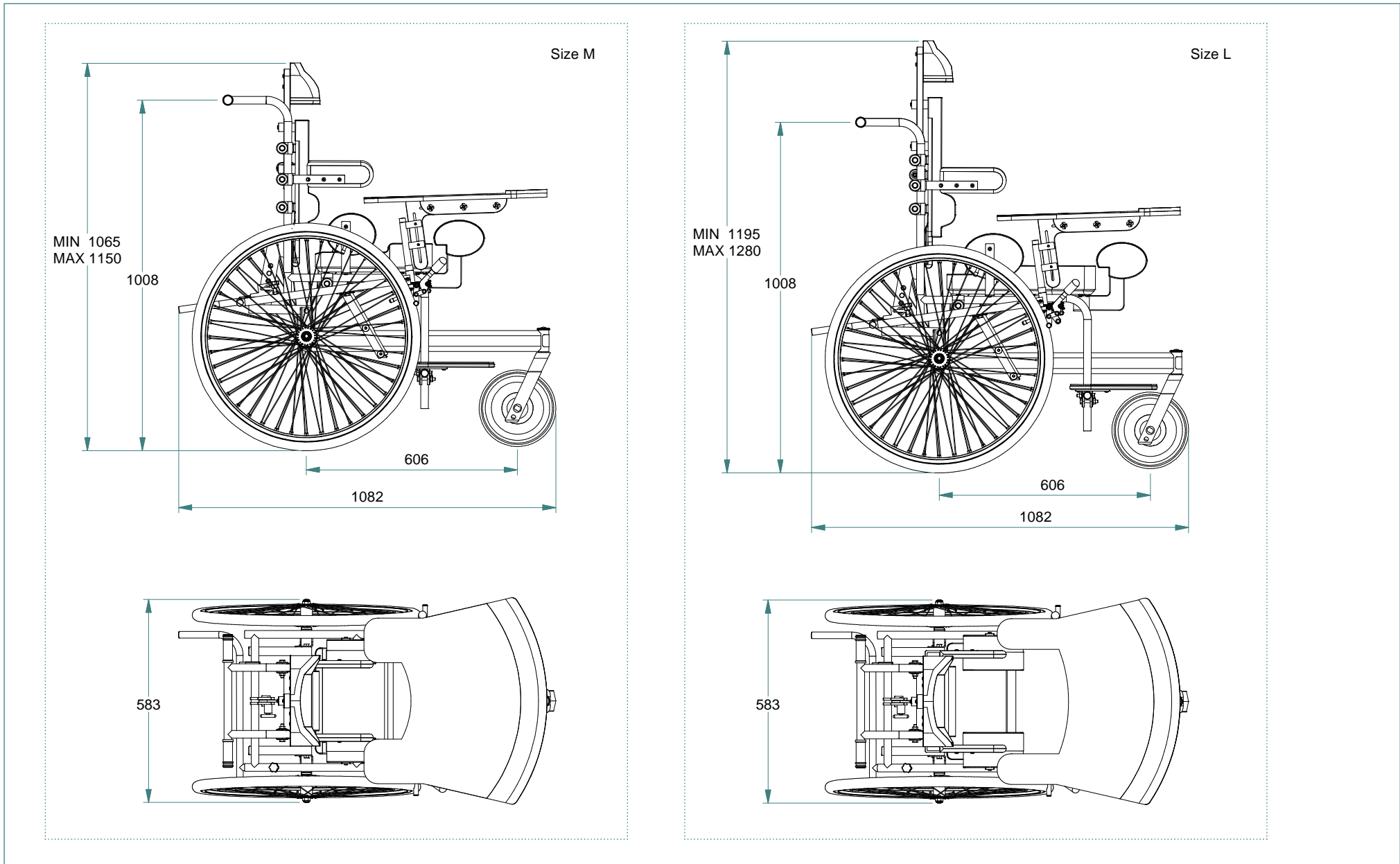
Hip pad: Width	M(165-300)mm, (135-330)mm * Range achieved by adding or reducing foam from the adjustable hip pads
Hip pad: Forward / Back	2 options, Forward and Back, 25mm range.
Seat depth*	M(190-330)mm, L(295-430)mm * Without a sacral pad fitted
Ischial shelf length*	The standard adjustment range is achieved by placing in the chip foam insert into the cushion design. The insert comes as standard with the seating unit. Shelf length range: M(105mm – 200mm), L (165mm – 280mm) * measured from front of seat
Back wheel (balance) position	The wheelchair can be prescribed in safe balance setting only. When the seating unit is tilted the anti-tip stand should be swung down and locked in place.
Backrest angle	The angle between the backrest and seat can be adjusted from 80 degrees to 105 degrees.

Backrest height	M(320-430)mm, L (400-570)mm
Daily tilt angles	4 positions: 0 (vertical), 5, 10 and 15 degree options, quick and easy to adjust without any hand tools.
Sacral pad: Height and Depth	Adjustable height position range: 100mm Adjustable depth range: 40mm (by cutting down the chip foam pad)
Footrest height	M (160-420)mm, L(160–420)mm
Footrest angle	3 axes of rotation and infinite angle adjustment.
Lateral trunk supports: Width	M(170-370)mm, L(200-400)mm * It is necessary to rotate the lateral trunk support clamps 180 degrees to get the full range
Lateral trunk supports: Height*	M (180-375)mm, L (200–375)mm * Measured from top of seat to top of trunk support
Lateral trunk supports: Forward / Back	2 options, Forward and Back, 45mm range.
Headrest position: Height*	M (370-580)mm, L (450-690)mm * Measured from top of seat to the 'occipital shelf support' feature, which is located at the middle of the headrest.
Headrest position: Forward / Back	Adjustment is achieved through 3 optional positions and provides 60mm range (30mm forward or backward adjustment from standard position)
Abductor Width	M & L (25–110)mm * Can be individually modified right and left The abductor is cut to the prescribed width and angle and then the EVA side panels can be glued on, to provide a durable outer surface.
Tray: Height	Varnished plywood tray with non-slip EVA (Ethylene Vinyl Acetate) foam top. Height adjustable M & L (110-245)mm.
Tray: Forward / Back*	Depth adjustable 145mm * Standard cut-out shape on the tray can be increased in width and depth to match the user (by cutting and varnishing the tray surface)
Pelvis strap position: Forward / Back*	Two position options, each with adjustable strap mounting point, providing an adjustment range: M (130-260)mm, L(175-350)mm *measured from front of seat to front of strap

Performance Specifications

Backrest	<p>Height adjustable solid backrest. Polyurethane foam padding inside water resistant washable cover.</p> <p>Stretchy fabric is used on the sides of the backrest cover to help accommodate any postural modification inserts.</p> <p>Varnished 15mm plywood base.</p>
Trunk supports	Adjustable width, length and height. Pads covered with EVA (Ethylene Vinyl Acetate) foam.
Abductor	Abductor with EVA (Ethylene Vinyl Acetate) foam (highly water resistant) outer surface. Quick and easy to take on and off, without using hand tools.
Brakes	Adjustable position aluminium toggle brakes, with durable bronze bushes and comfortable rubber grip handles.
Cushion	<p>Cushion with adjustable pre-ischial shelf inside a water resistant washable cover.</p> <p>New, easy to remove cushion and cover, for ease of fitting adjustments at point of service and regular cleaning during normal use.</p>
Lifecycle	The product is designed to provide at least 5 years of service, during normal use and providing it is appropriately maintained.
Push handles	Ergonomically positioned push handles with rubber grips.
Rear Wheels	<p>26" x 1 3/8" diameter rear wheels, with 36 spoke aluminium rims. Robust hub with two 6001 ZZ bearings and diameter 12 mm axles.</p> <p>Pushring mounting bolts are pre-assembled to the wheel rim to allow fast attachment of pushrings without having to remove the tyre or inner tube from the wheel.</p>
Pushrings	Pushrings do not come as standard on this product, please see the accessories section below for more details.
Spoke guards	Rear wheels can be fitted with the fabric spoke guards. Attachment can be either on the outside, or inside of the wheel, depending on the needs of the user.
Seat	Varnished 15 mm plywood seat base.
Headrest	Contoured headrest with removable, washable cotton cover. Adjustable headrest height and depth. The contoured headrest shape can be easily modified if necessary.
Straps	The chair is supplied with shoulder, pelvis and ankle straps.
Standards	This product is ISO 9001 (2008- 2013) and ISO 13845 (2008- 2013) certified.
Finish	Frame components are either galvanised or powder coated. Wooden components are finished with exterior grade varnish.

Transport / storage	The rear wheels and the seating unit are designed with quick-release mechanisms to allow swift removal from the chassis, to facilitate easier storage at home and on public or private transport.
Tyres	Pneumatic - medium tread.
Inner Tubes	Extra thick, high quality rubber inner tubes, have 4mm thick rubber on the outer circumference and 2mm thick rubber on the inner circumference, which provide excellent puncture resistance during daily use. Inner tube valve is the 'schrader' valve type (standard car inner tube valve).
Box details	Plain brown five ply cardboard with black printed graphics. The packaging is <i>not</i> waterproof.
Weight	Net weight of the Moti-Go <i>without</i> chassis approx. 16 kgs (M), 17 kgs (L) Net weight of the Moti-Go <i>with</i> chassis approx. 28 kgs (M), 29kgs (L) Wheeled chassis 12 kgs.
Care and maintenance	This product comes with a tyre pump and a tyre puncture repair kit. This product comes with a User Tool Kit, which contains basic hand tools to allow basic care and maintenance procedures to be carried out on the product.
Accessory parts	Pushrings are available for this product and are supplied as an accessory part in packs of 10 pieces. Diameter 19 mm, high quality, chrome plated steel pushring, attach to wheel rim in four places.
Spare parts	Standard spare parts packs are available, and a detailed spare parts list can be given on request.



Product Summary
Moti Go Supportive Seating

motivation

