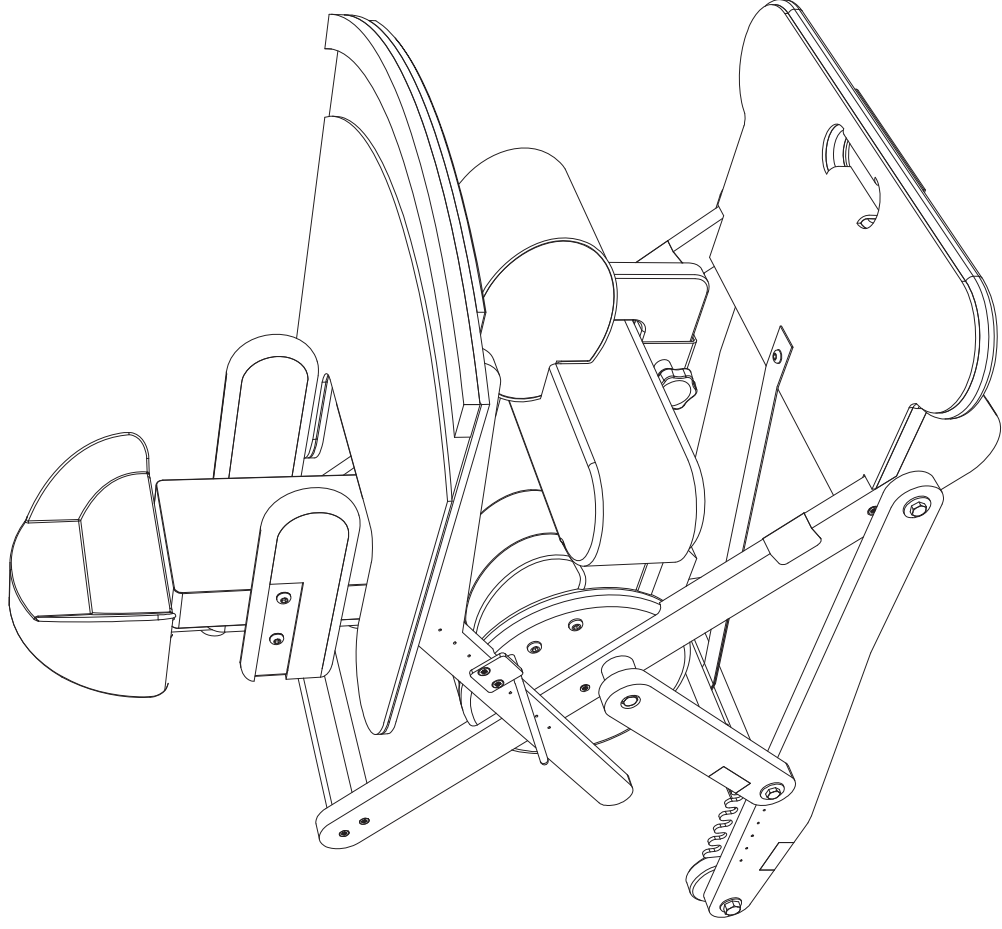
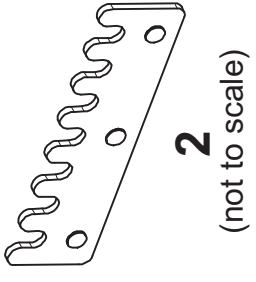


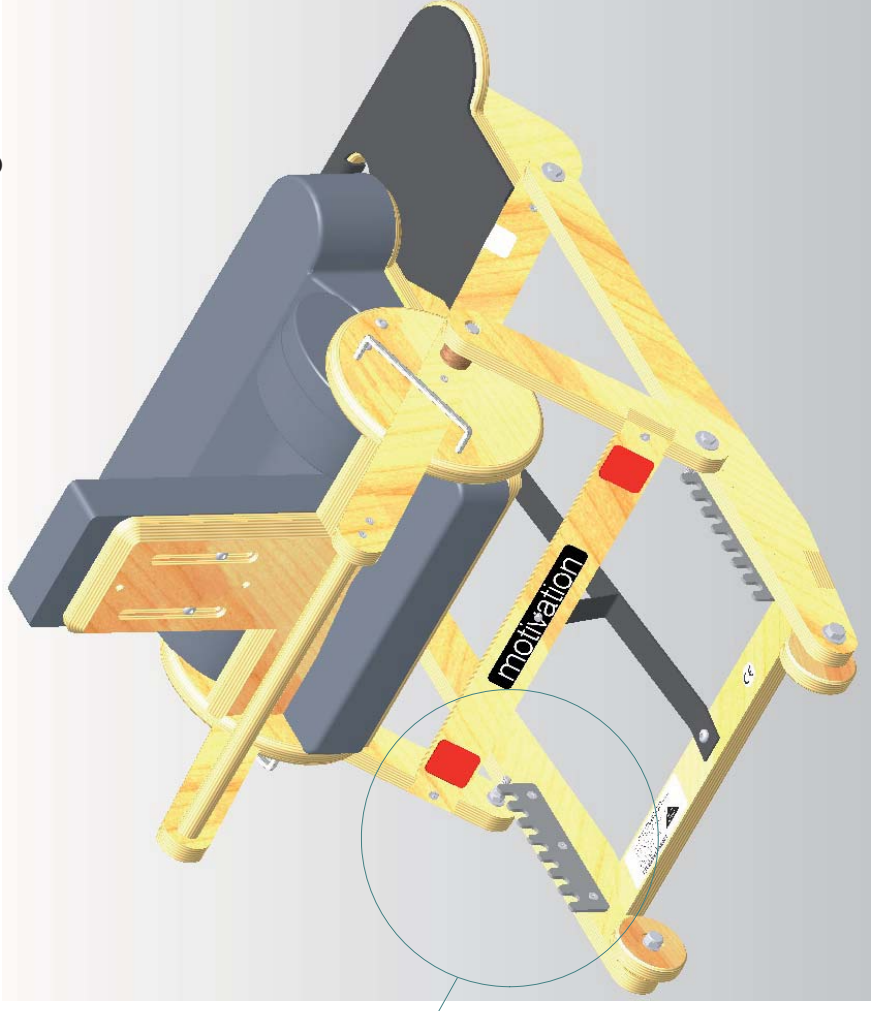
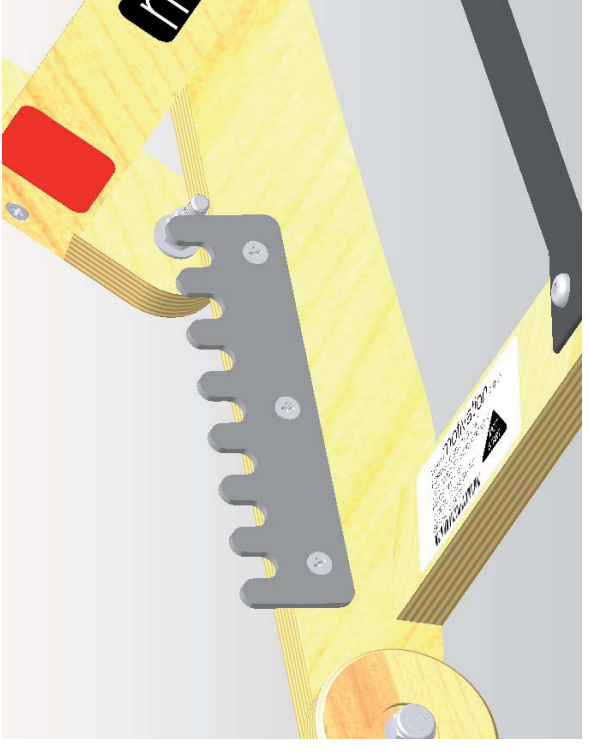
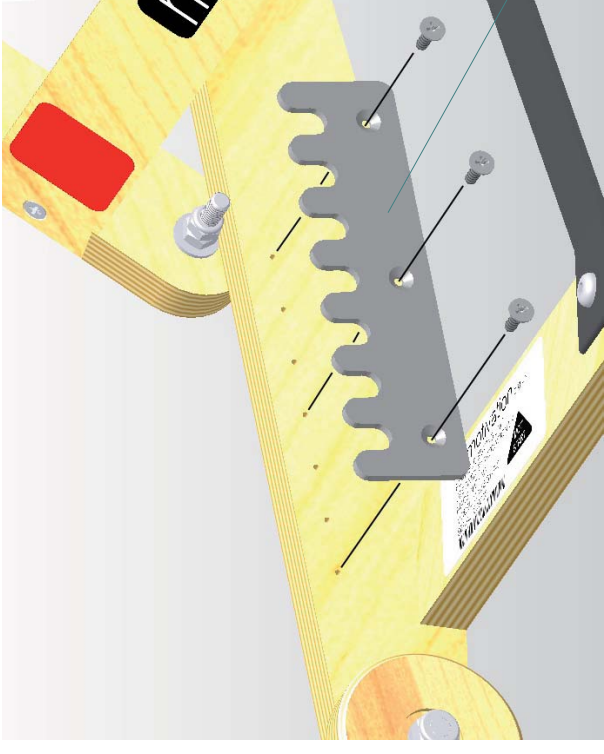
MOTI START SUPPORTIVE SEATING SYSTEM ASSEMBLY MANUAL



Seat Unit - Frame Assembly



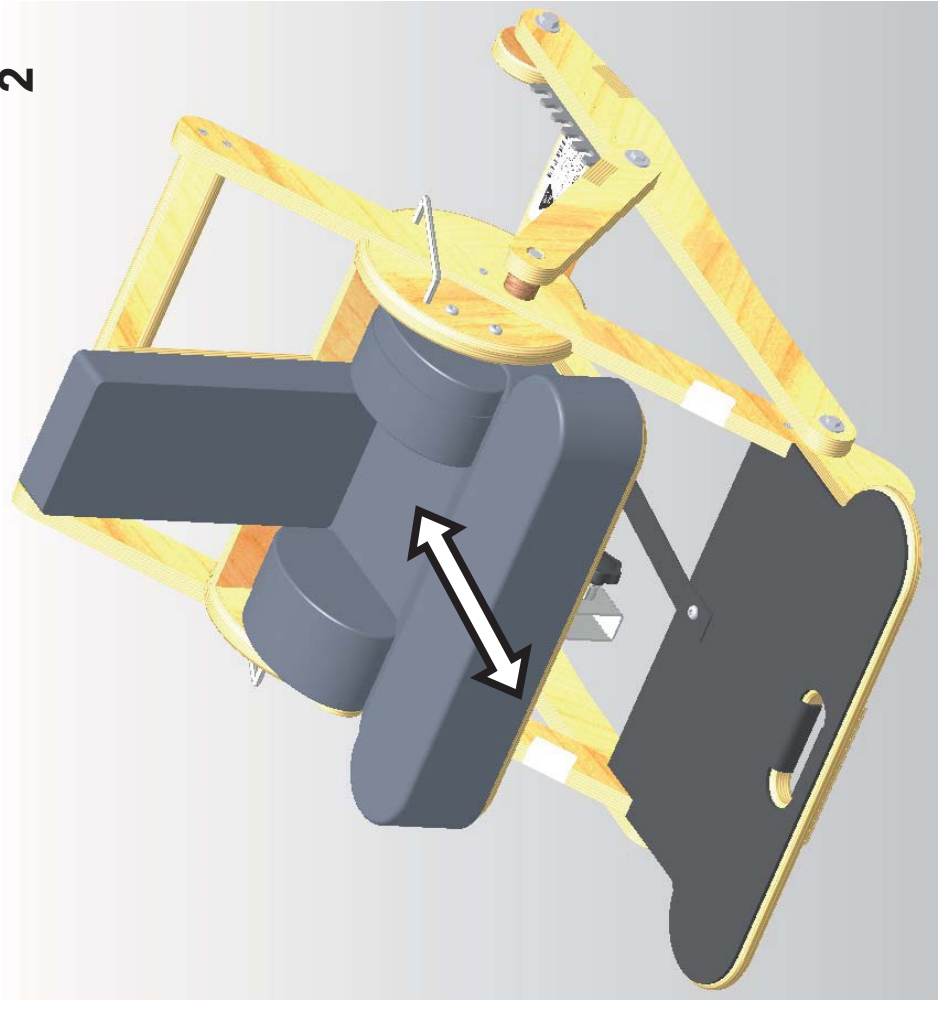
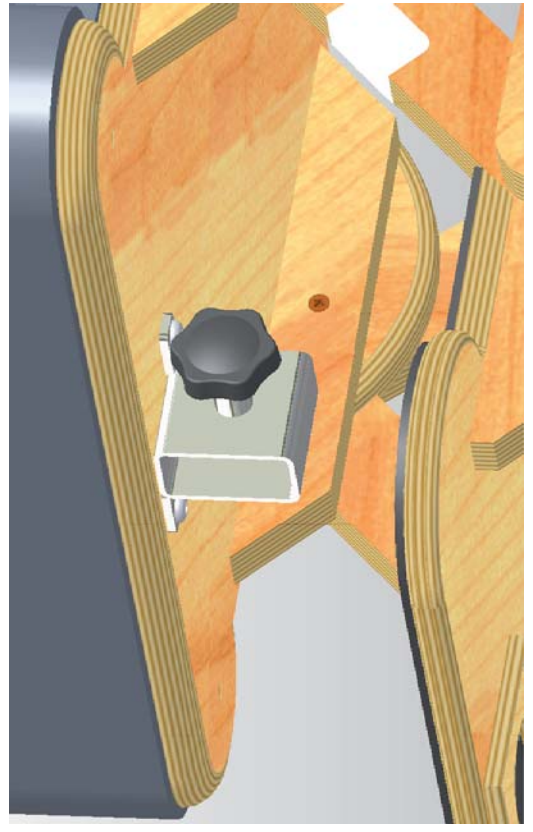
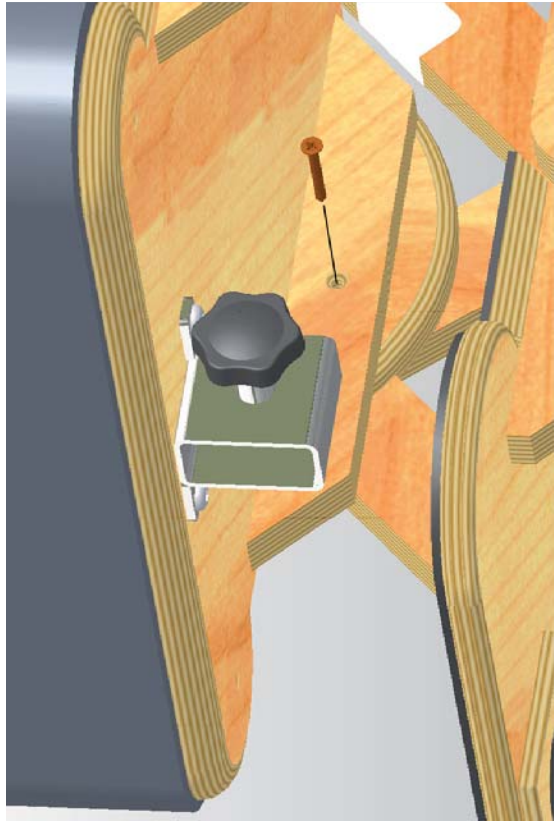
6



Seat Unit - Frame Assembly



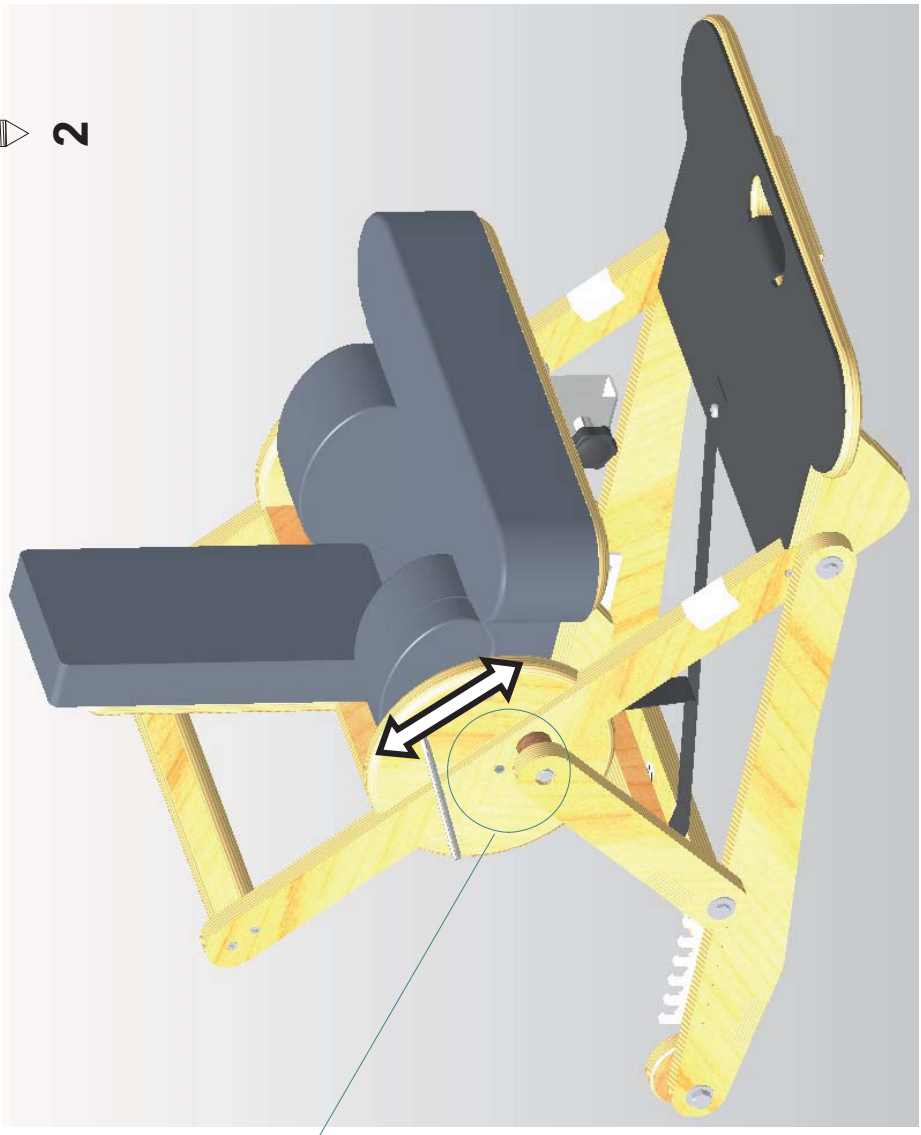
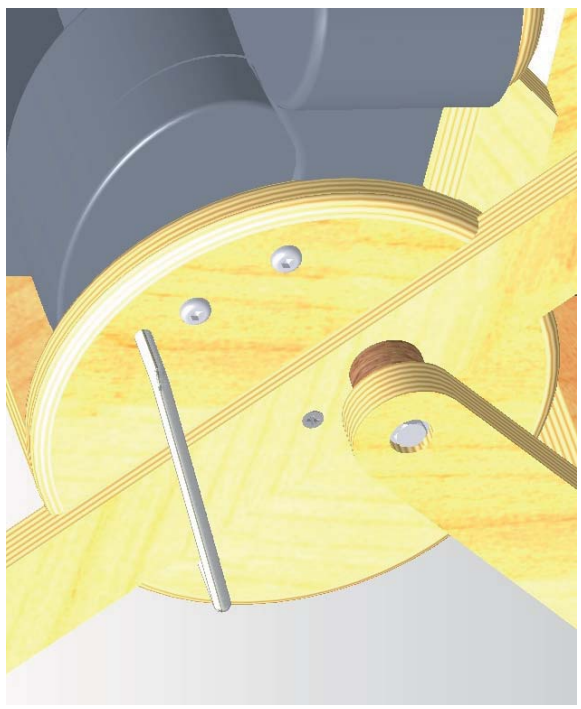
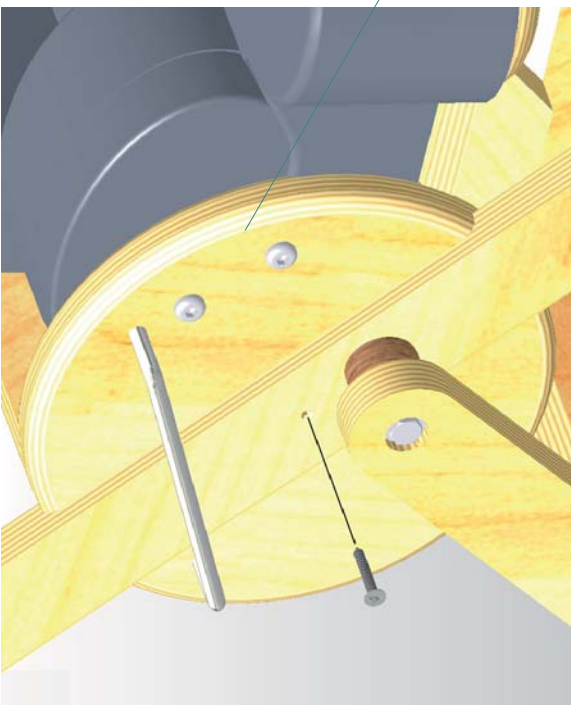
2



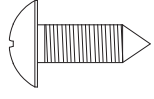
Seat Unit - Frame Assembly



2

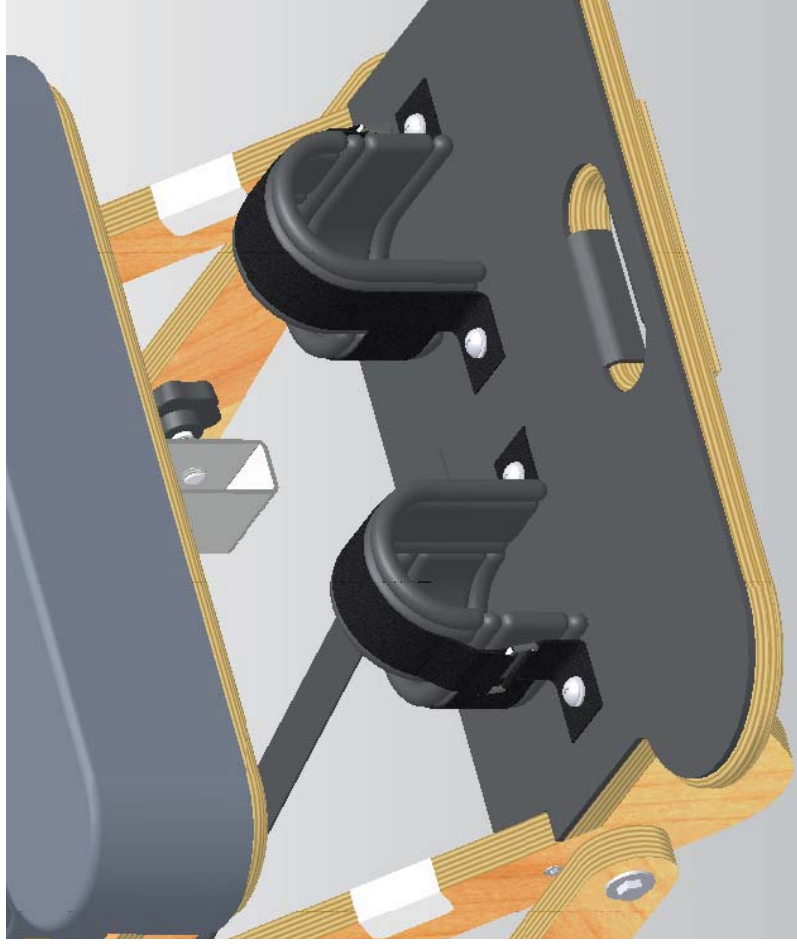
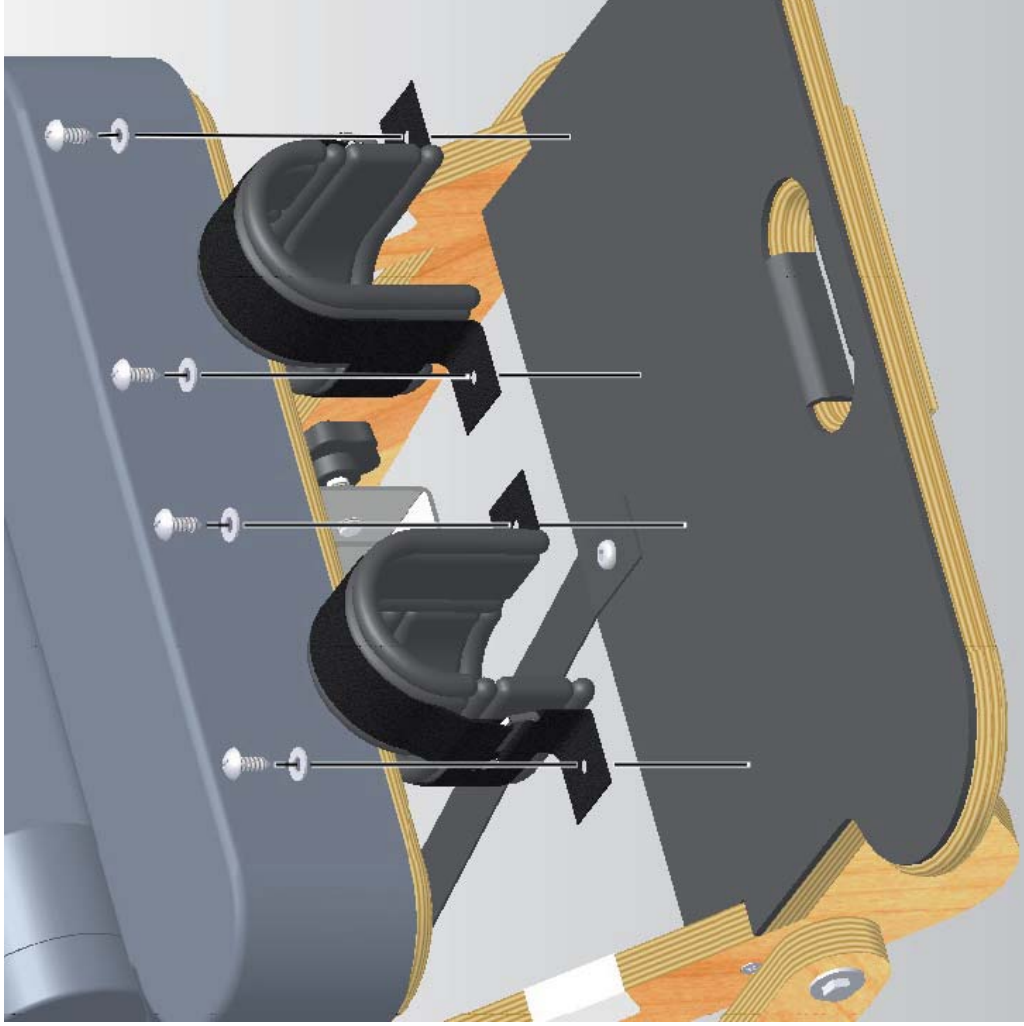


Seat Unit - Ankle Strap Assembly



4

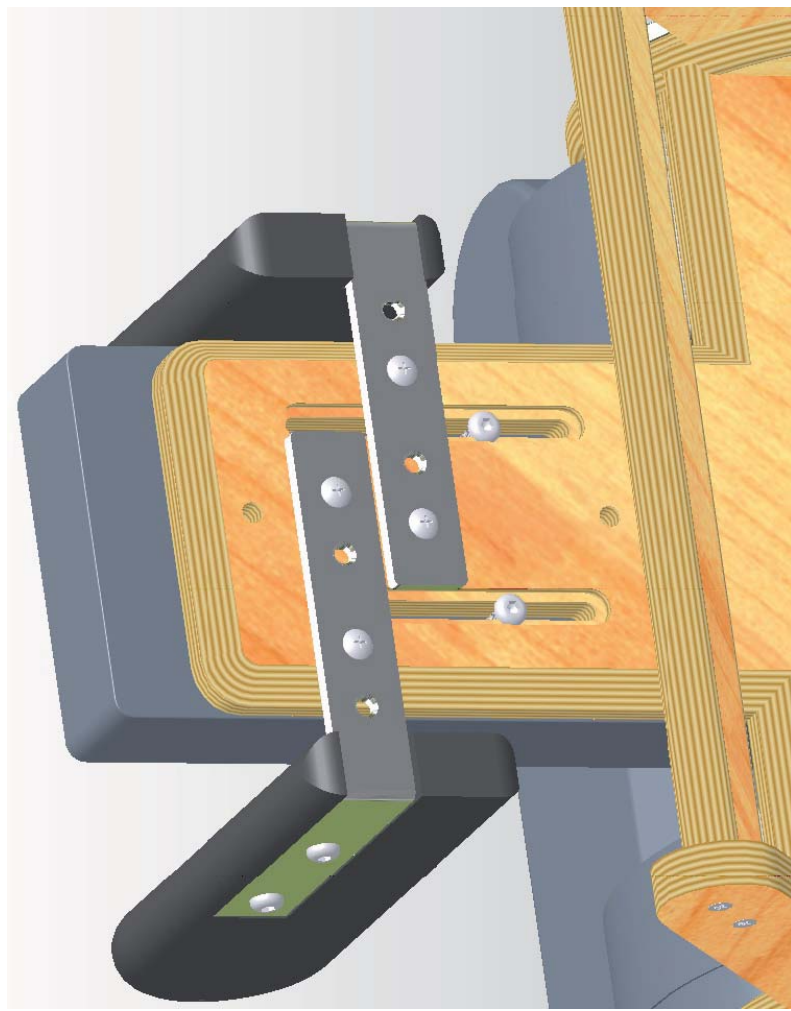
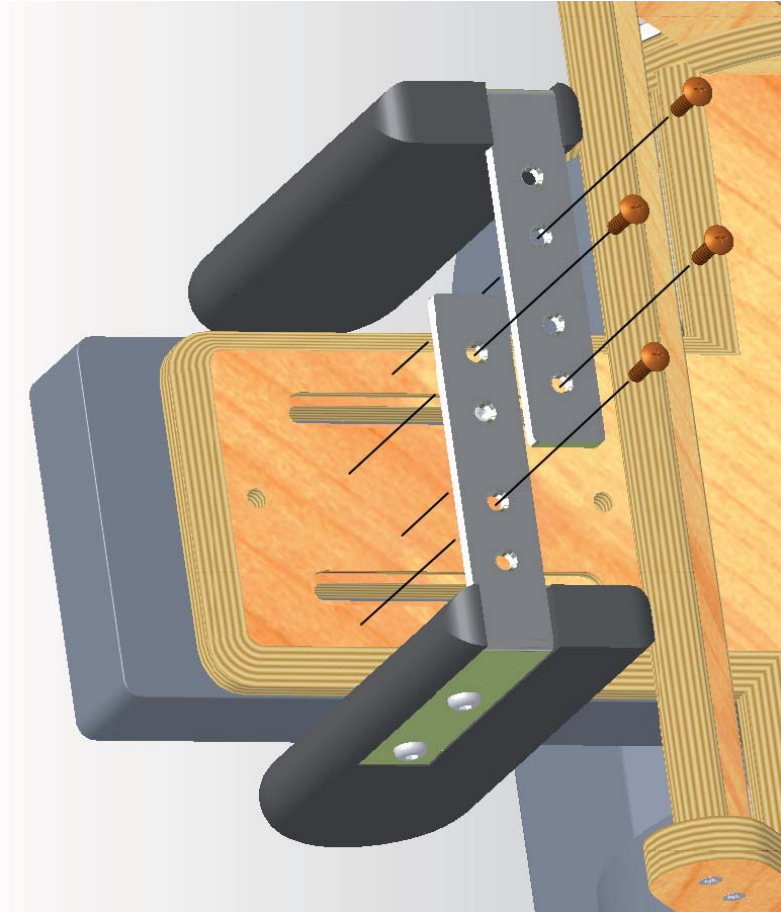
4



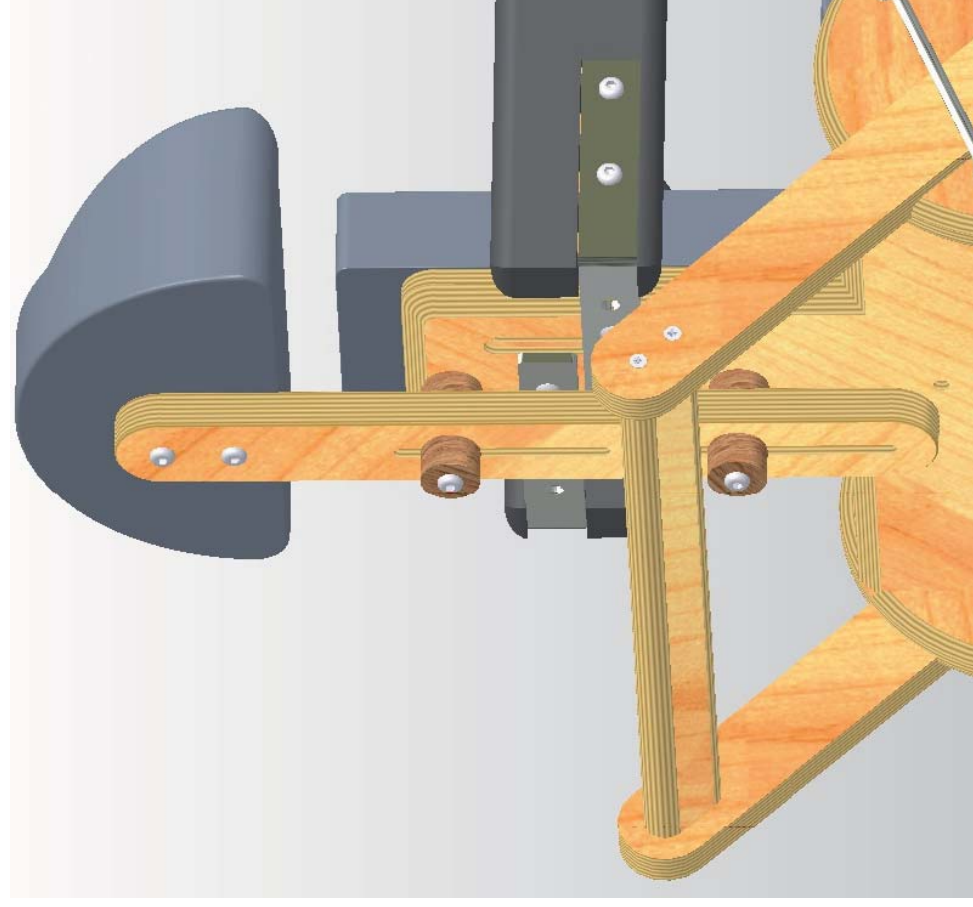
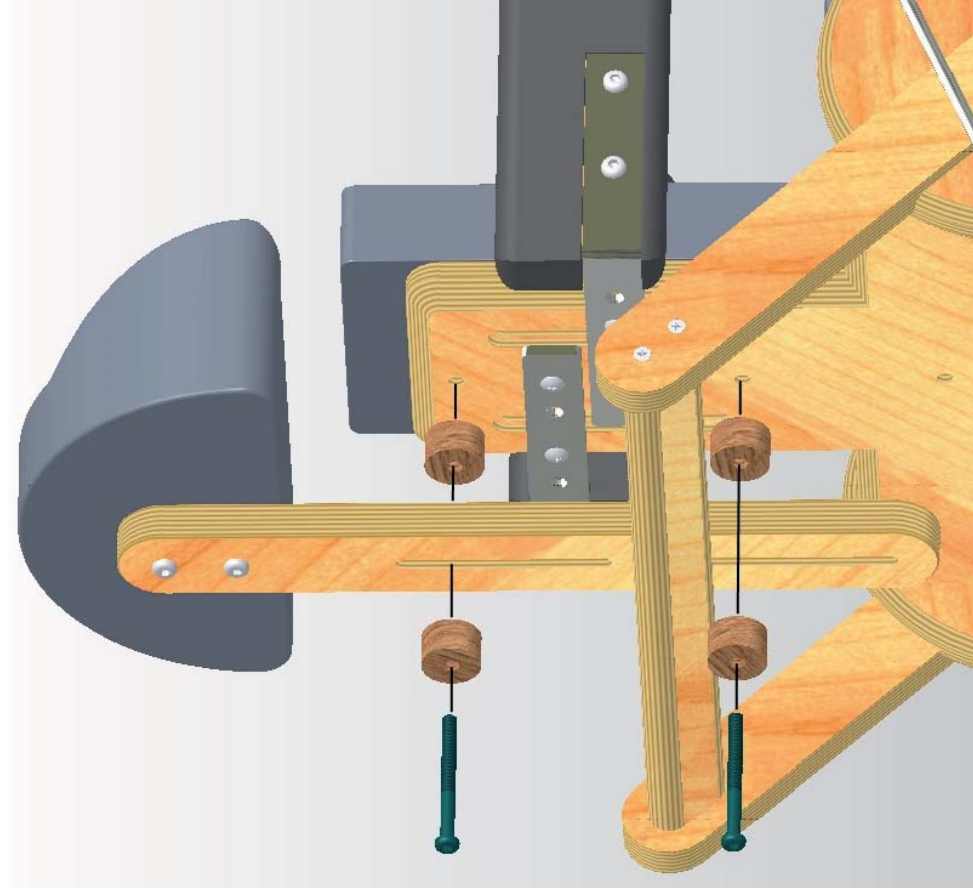
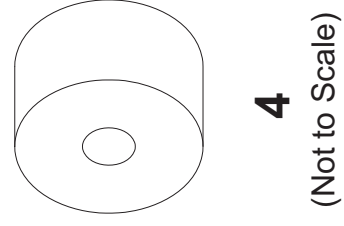
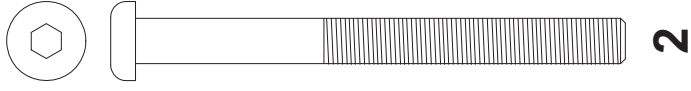
Seat Unit - Lateral Trunk Support Assembly



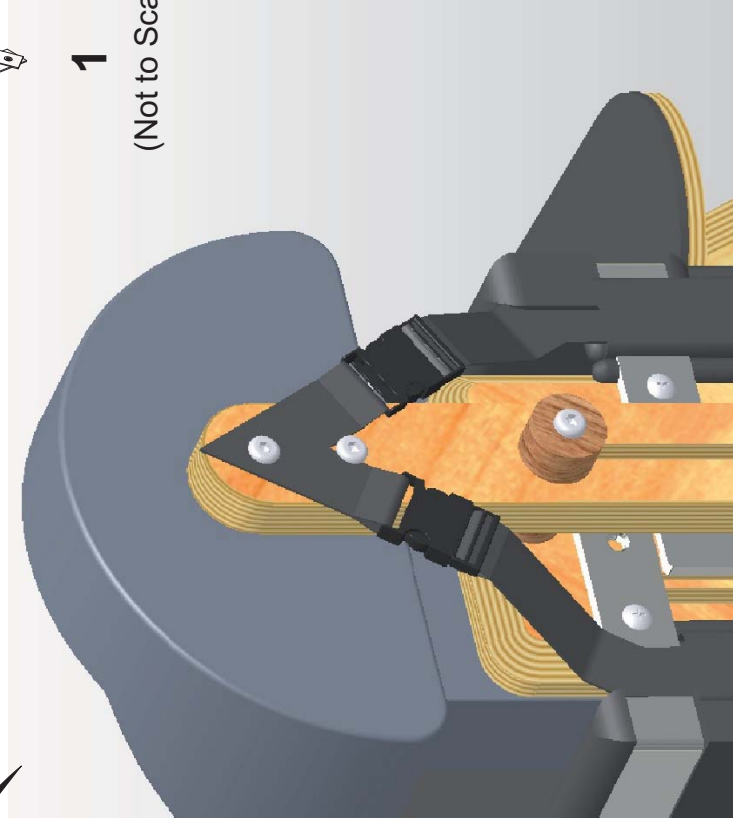
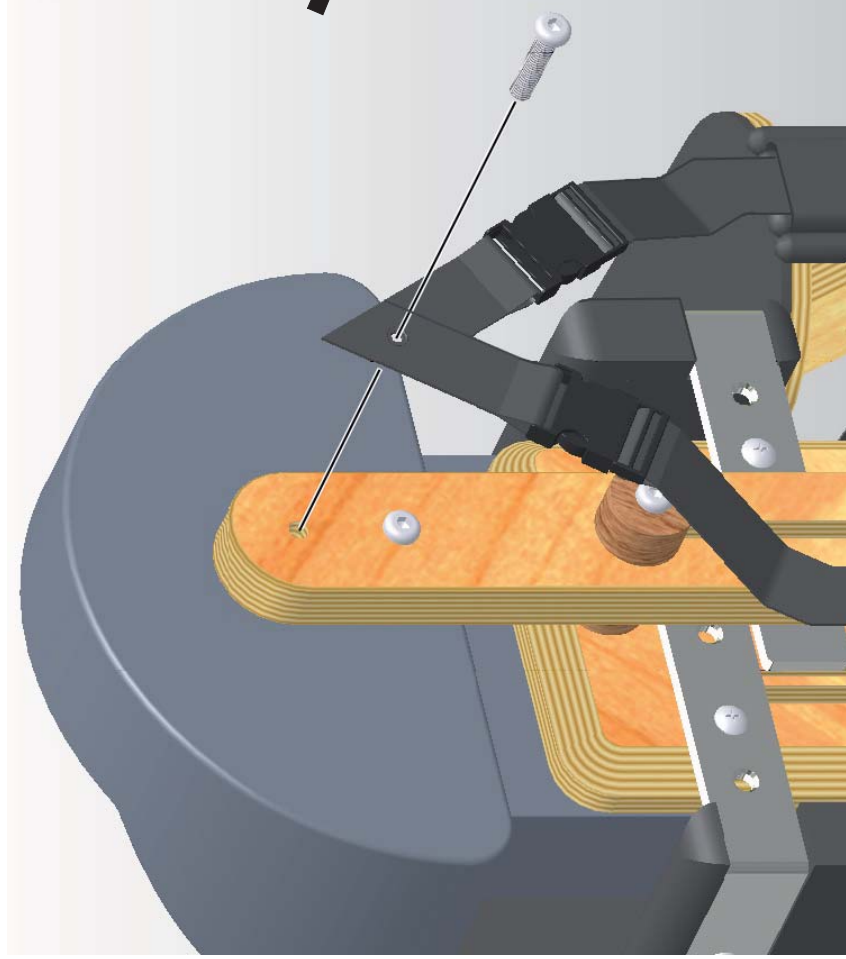
4



Seat Unit - Headrest Assembly

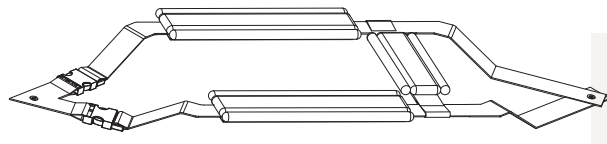


Seat Unit - Shoulder Strap Assembly

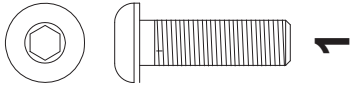
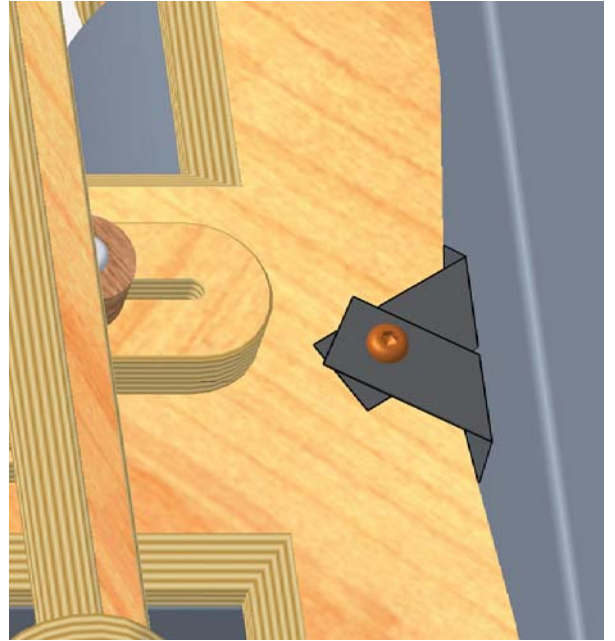
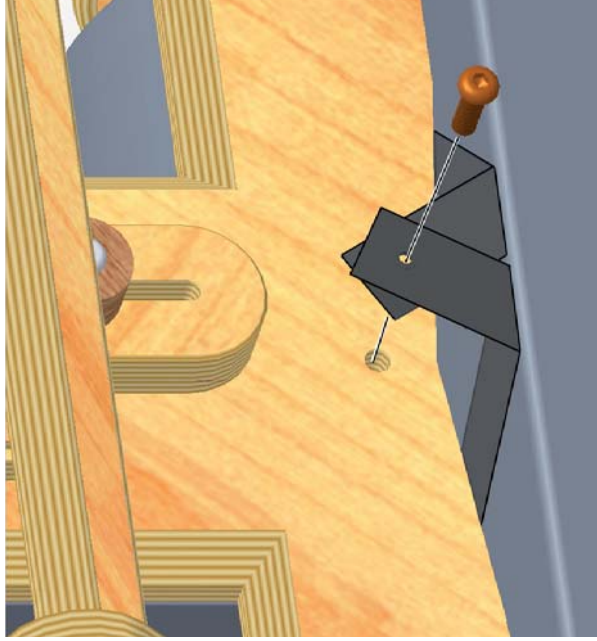


1

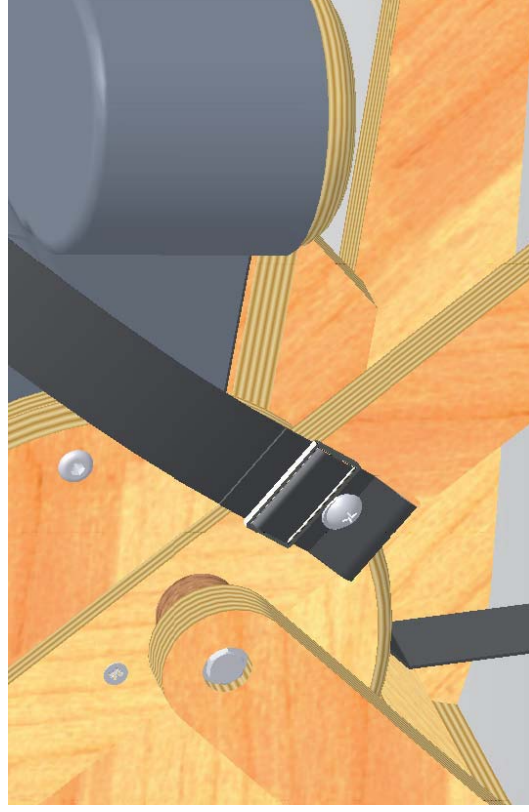
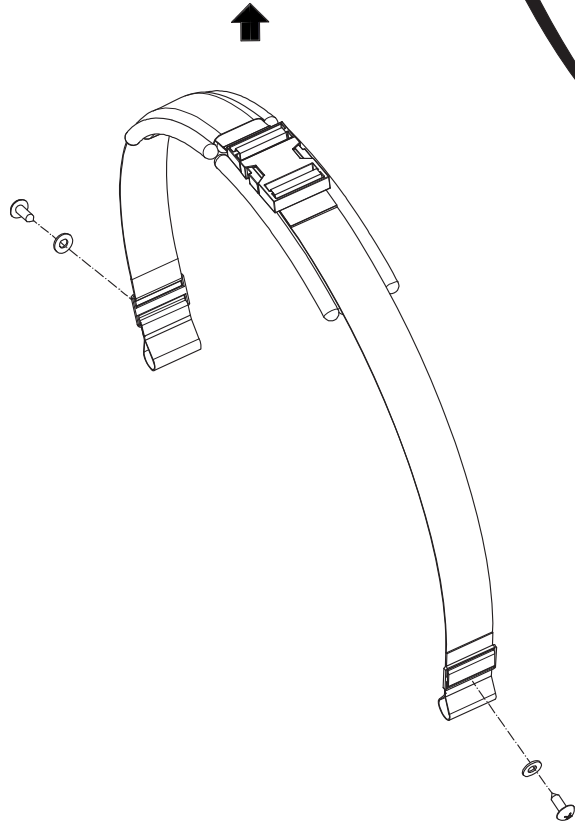
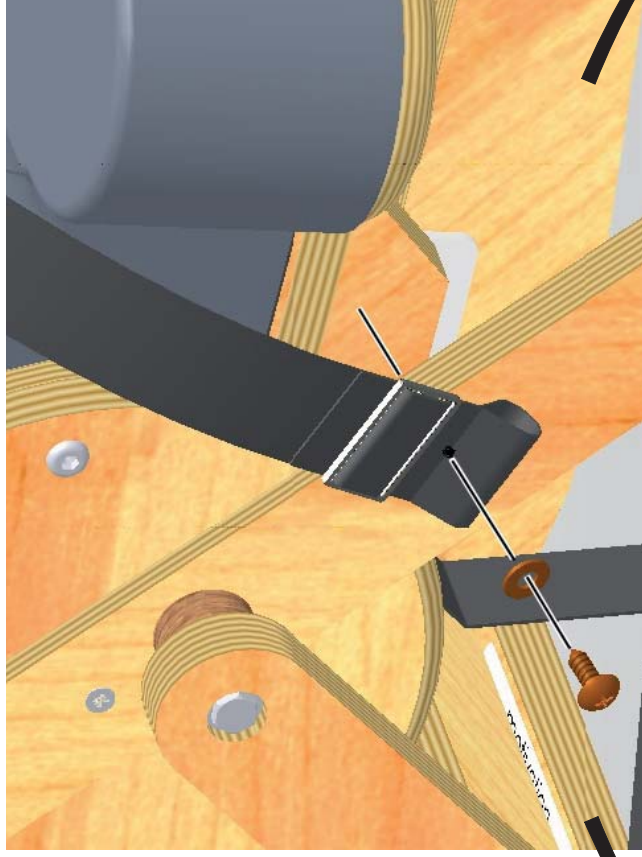
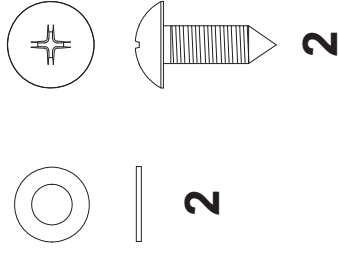
(Not to Scale)



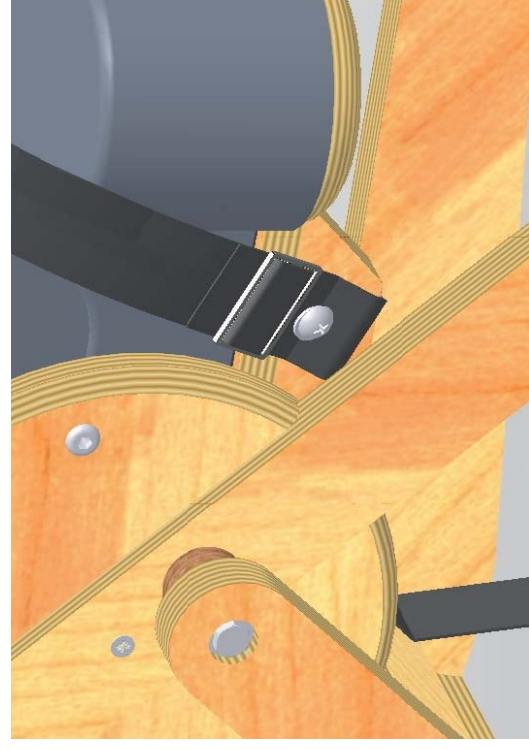
Seat Unit - Shoulder Strap Assembly



Seat Unit - Pelvis Strap Assembly



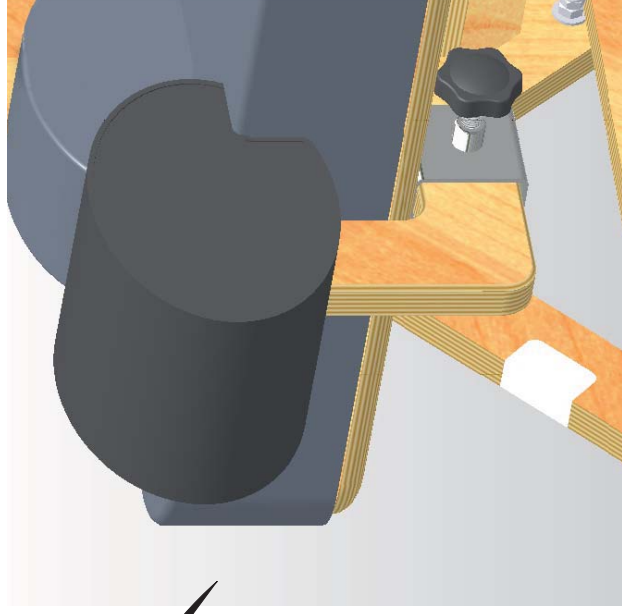
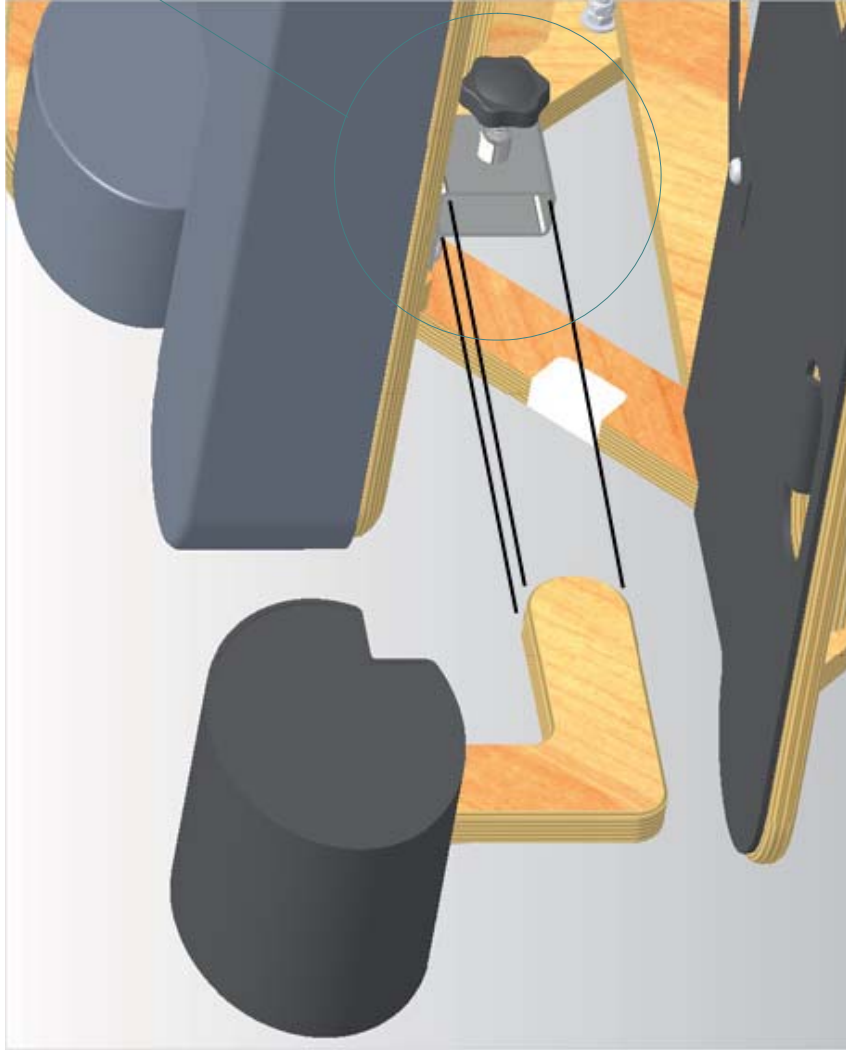
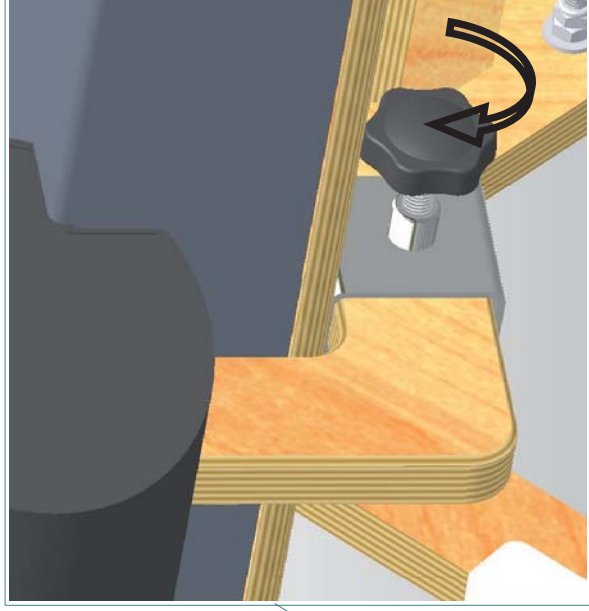
Back Position



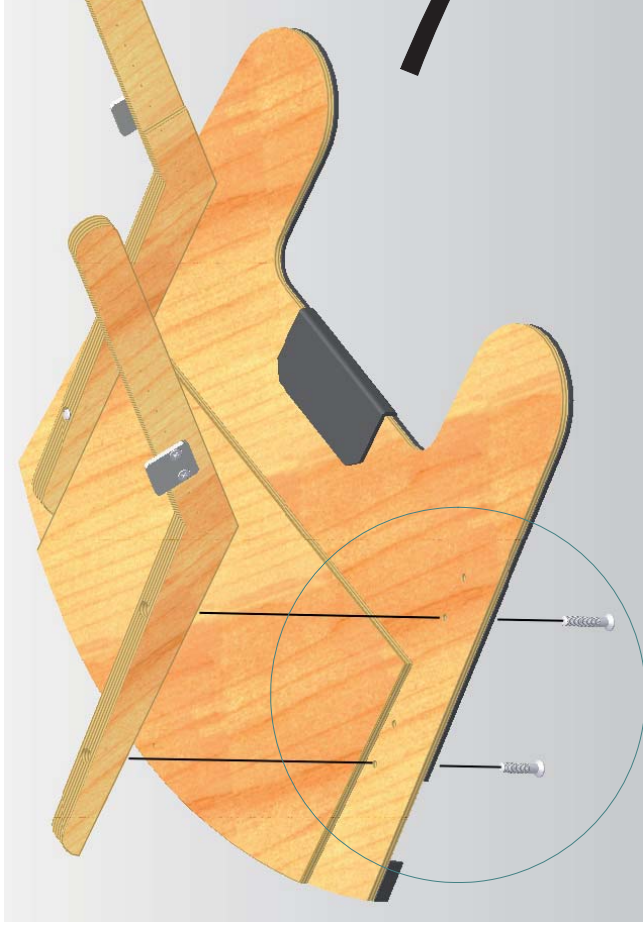
Forward Position



Seat Unit - Abductor Pad Assembly



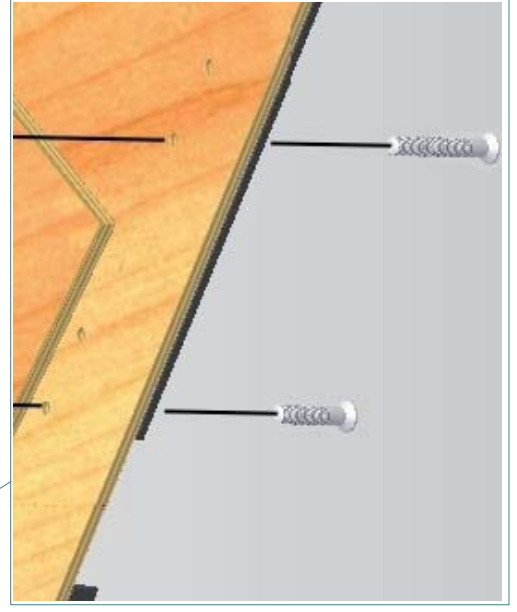
Seat Unit - Tray Assembly



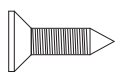
2



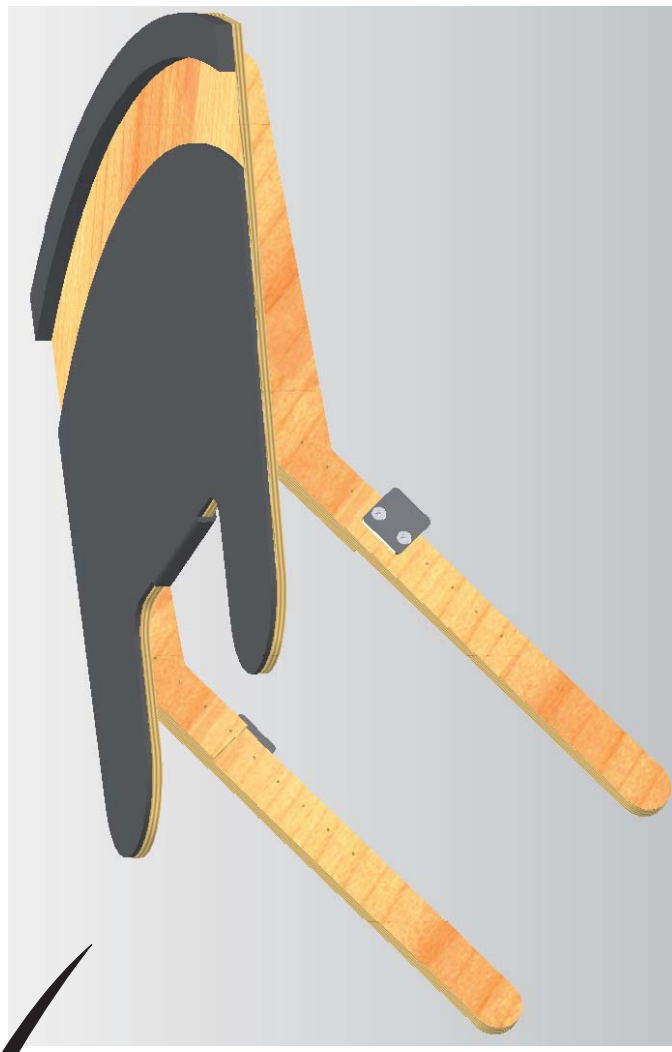
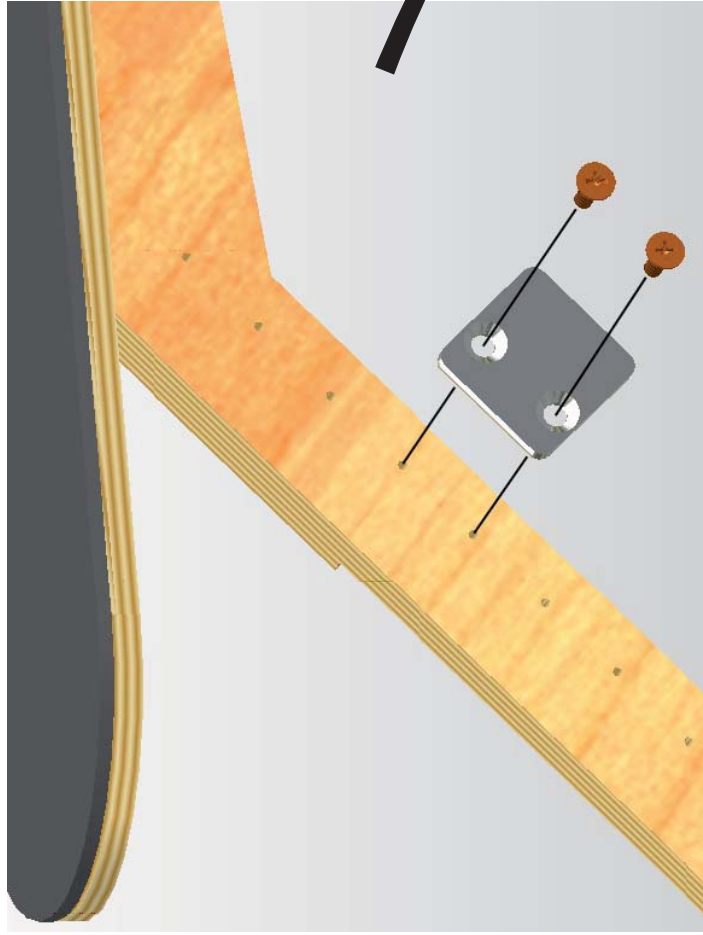
2



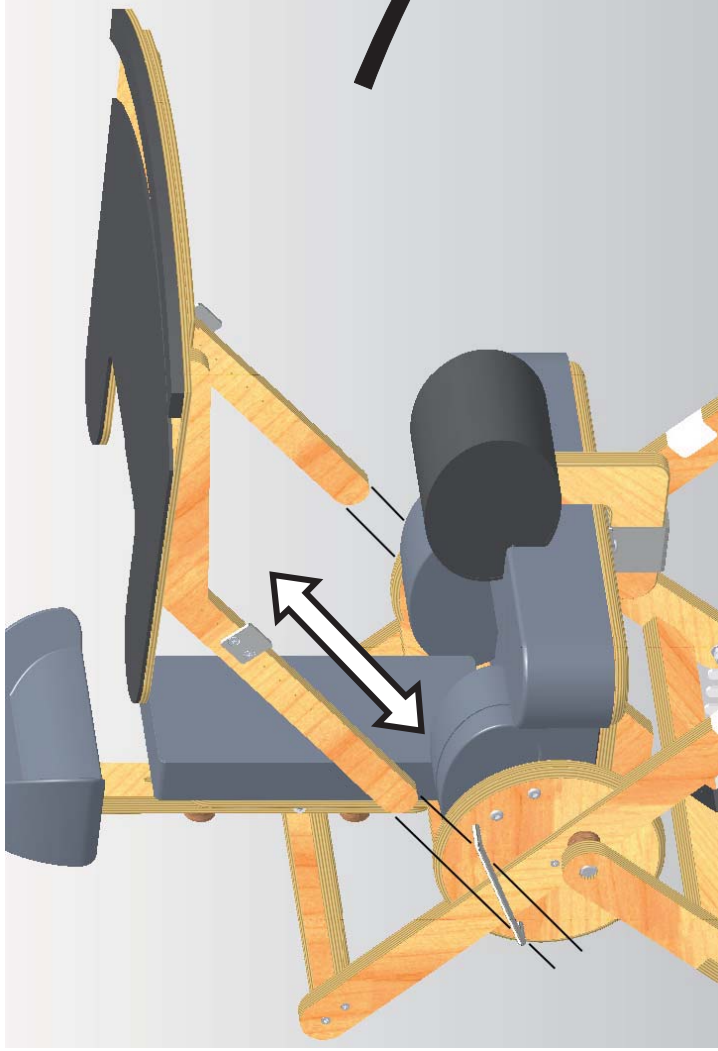
Seat Unit - Tray Assembly



4



Seat Unit - Tray Assembly



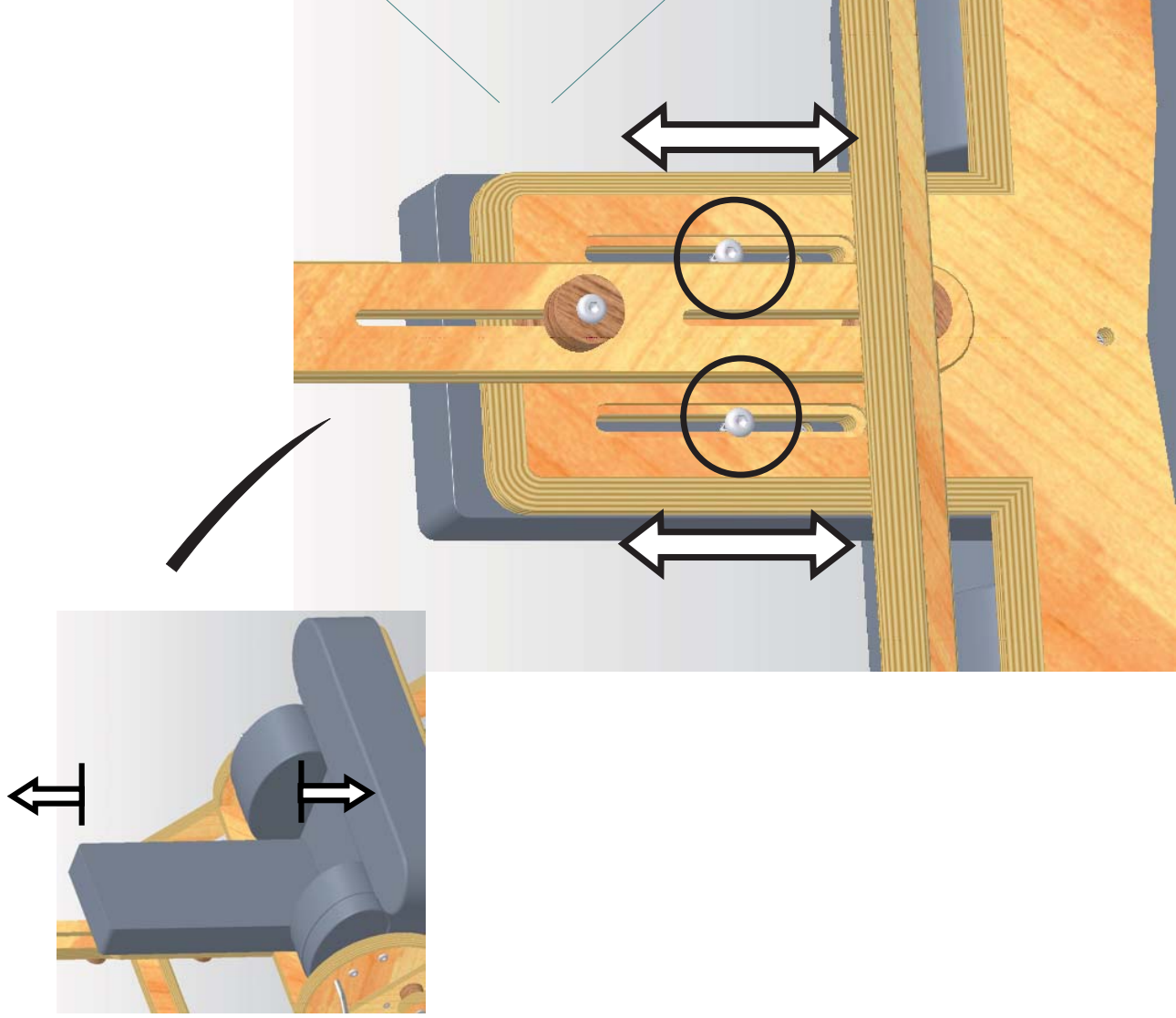
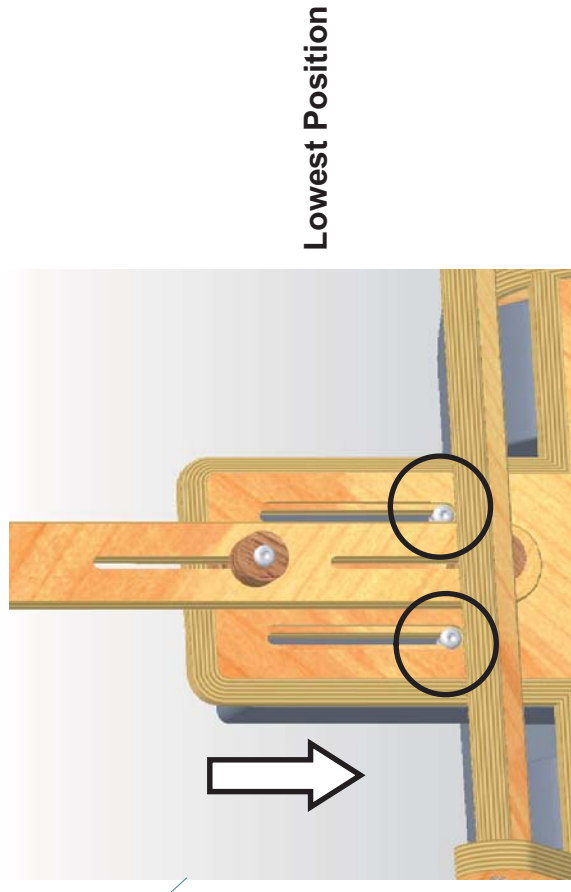
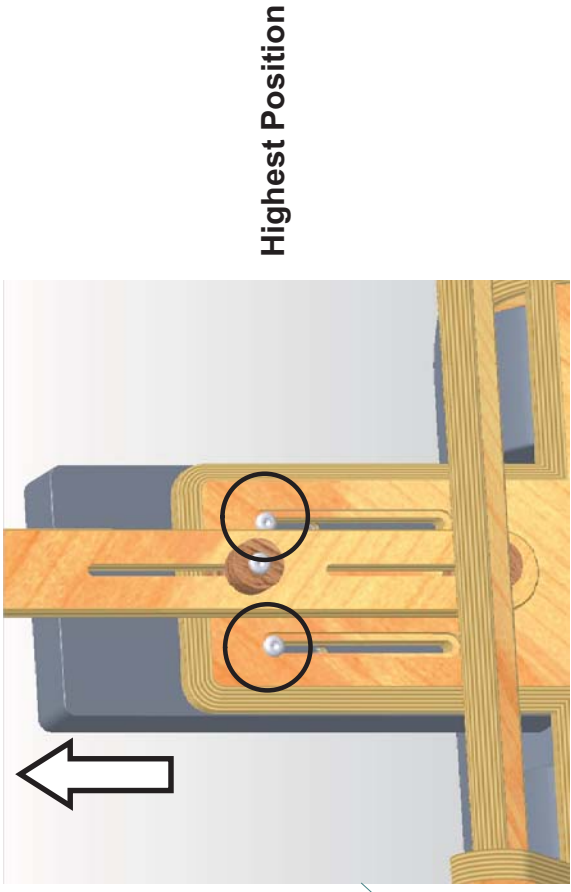
Seat Unit - Tow Strap Assembly





Moti Start Wheelchair - Adjustment of Parts

Adjustment - Backrest Height



Adjustment - Shoulder and Pelvis Strap Length



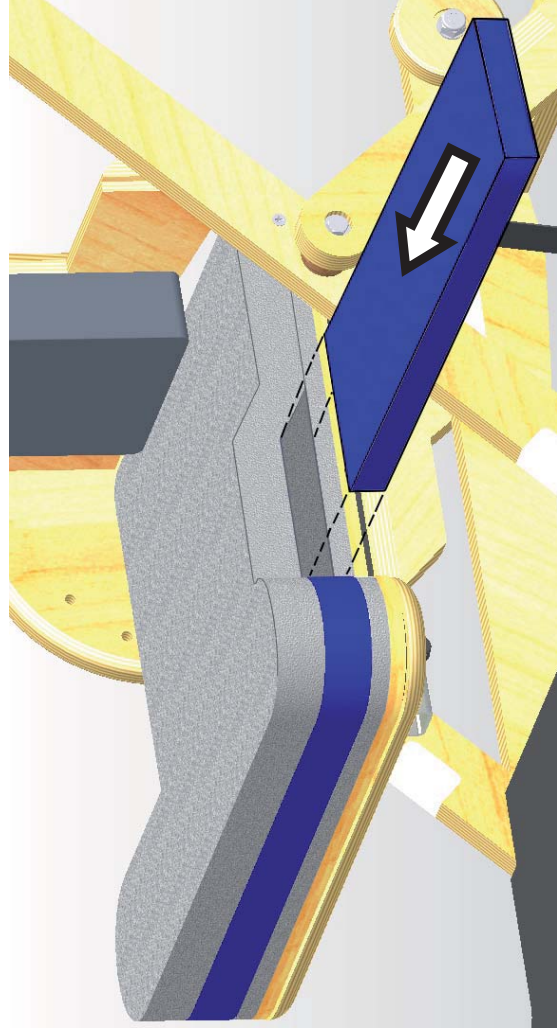
Shoulder Strap



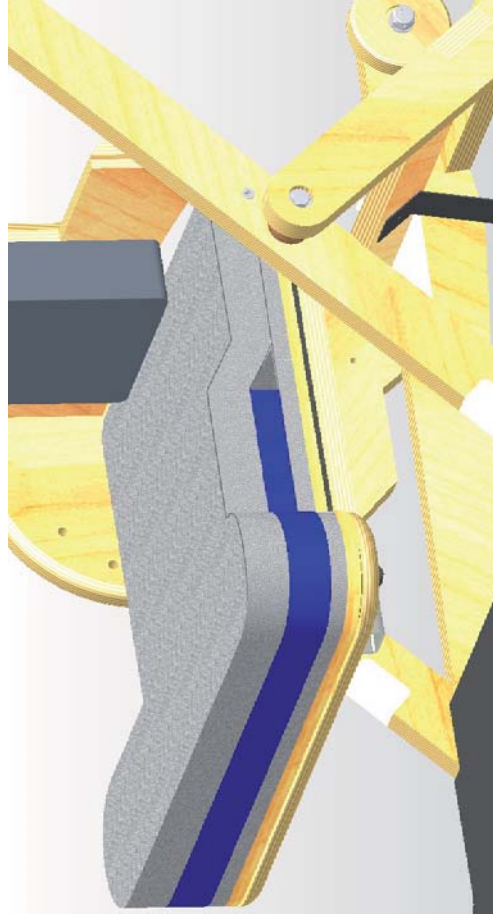
Pelvis Strap



Adjustment - Pre Seat Bone Shelf Length



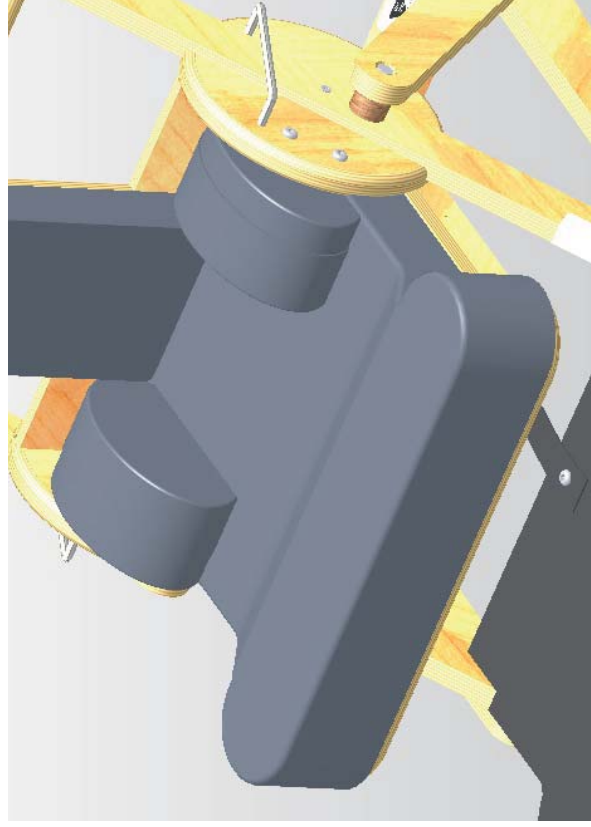
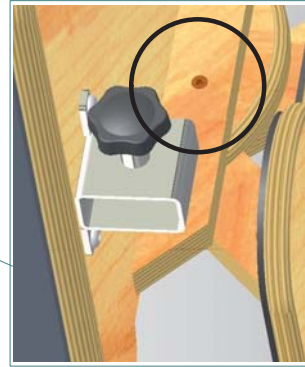
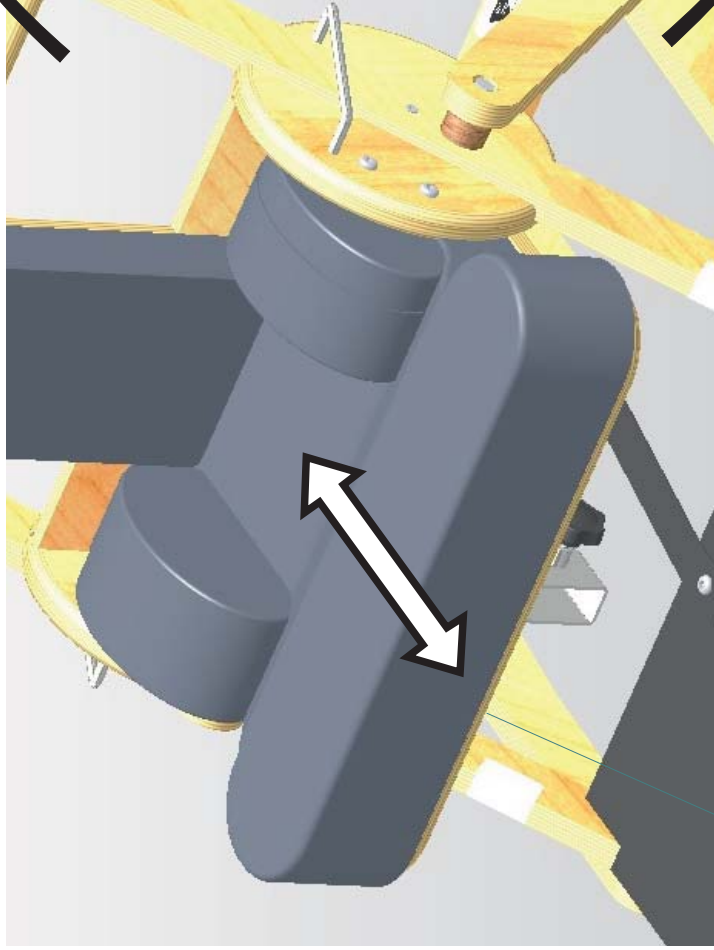
Shortest Length



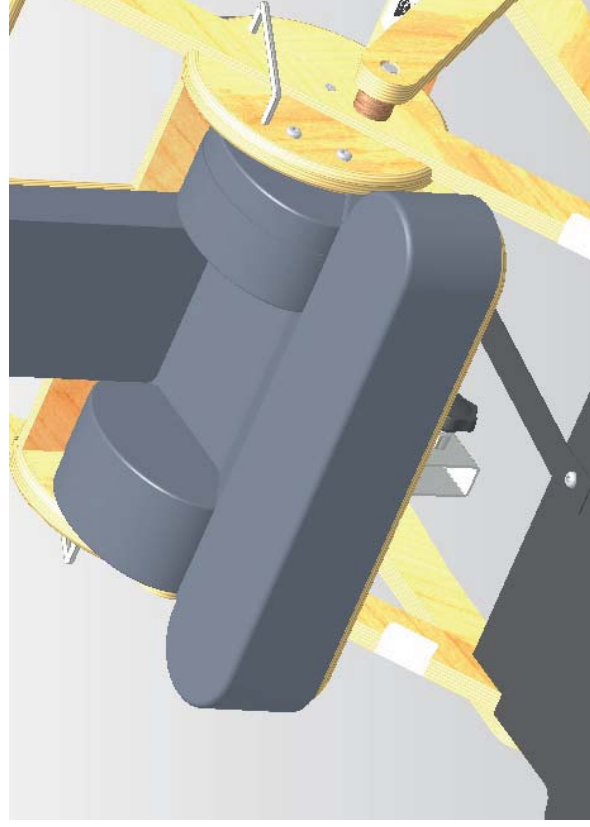
Longest Length



Adjustment - Seat Length



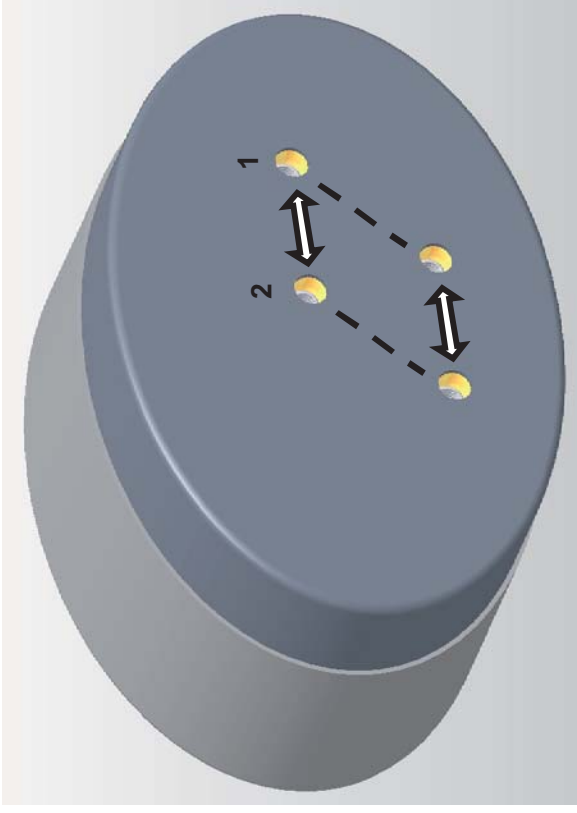
Longest Length



Shortest Length



Adjustment - Hip Pad Forward/Back Position

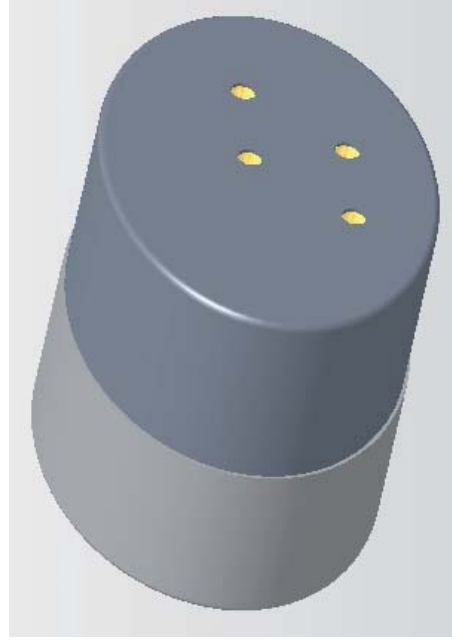
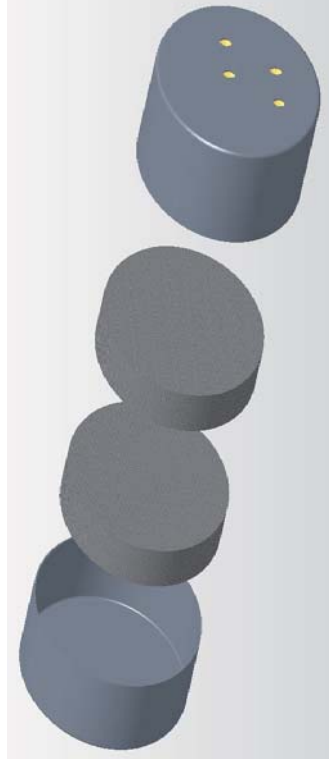


1. Forward Position

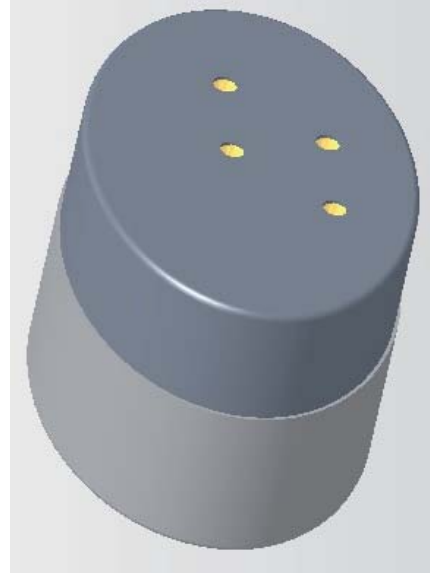


2. Back Position

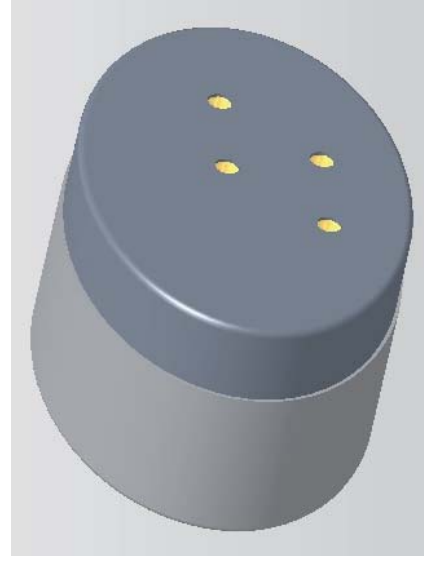
Adjustment - Hip Pad Thickness



Wide

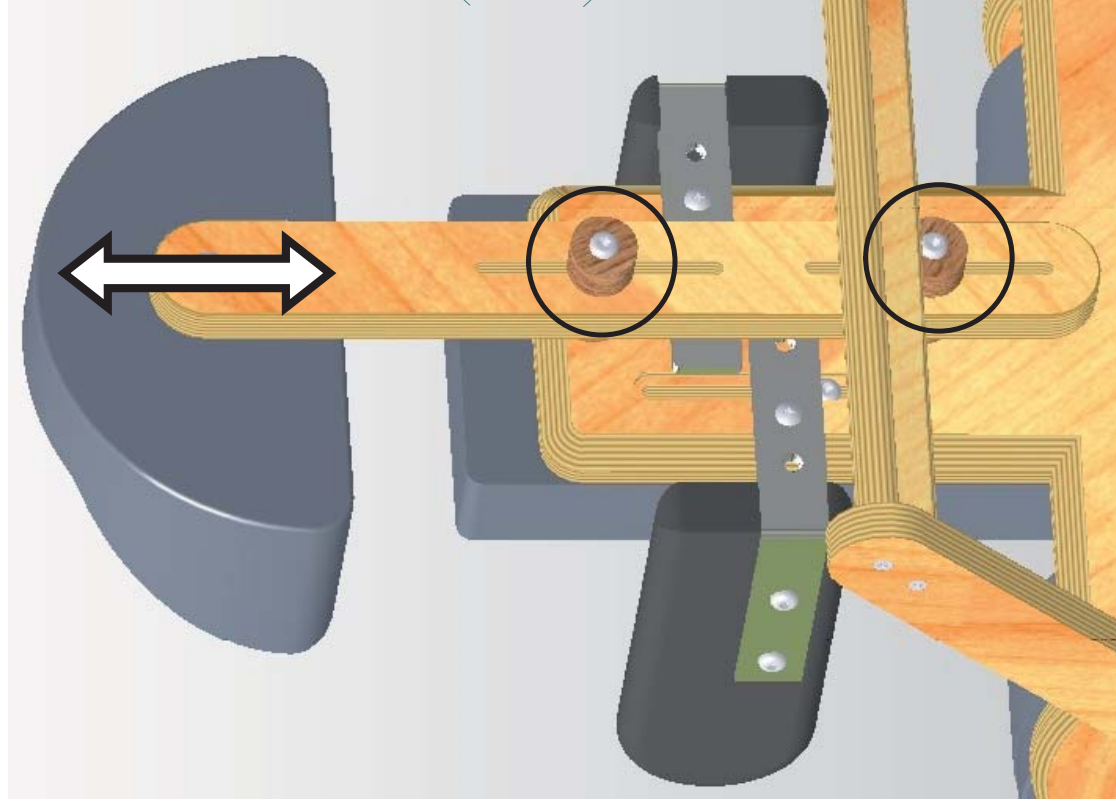


Medium

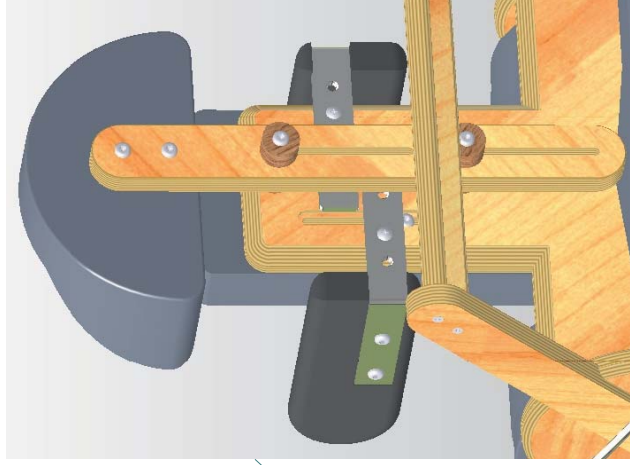


Narrow

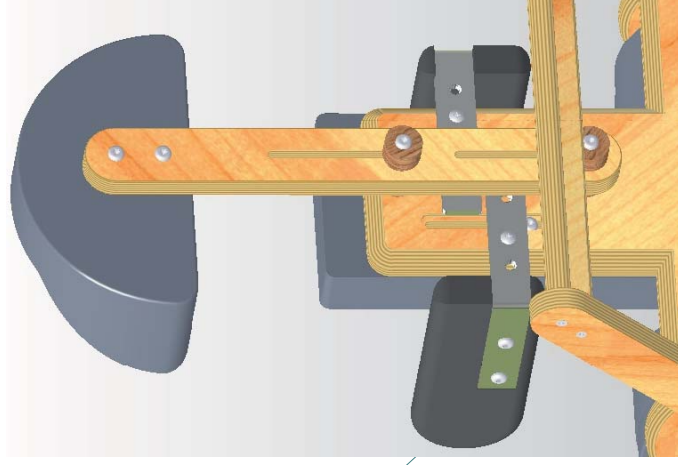
Adjustment - Headrest Height



Middle Height Position

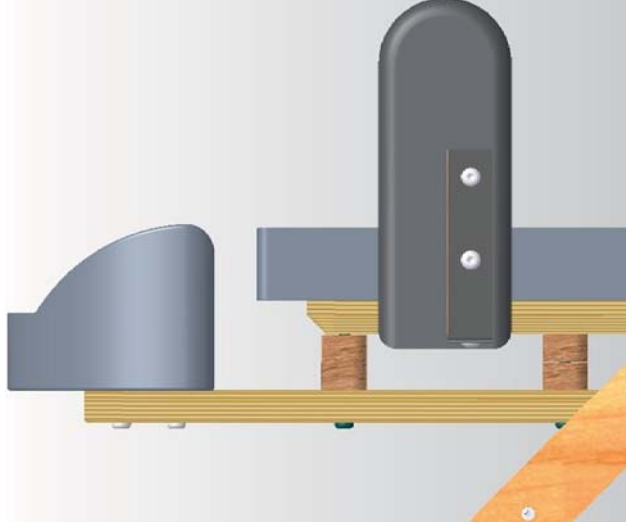
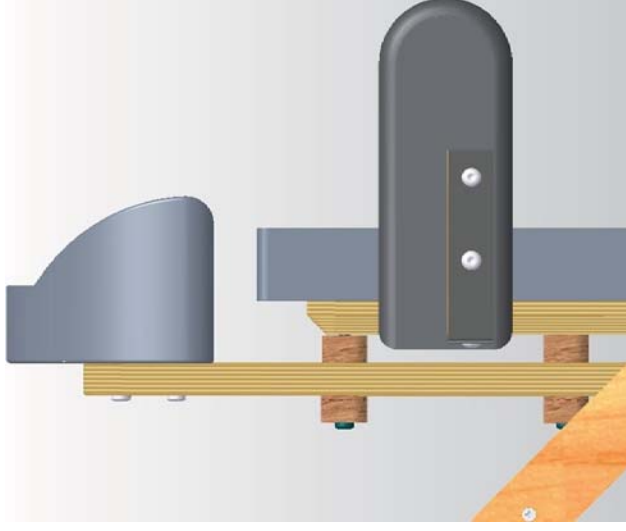
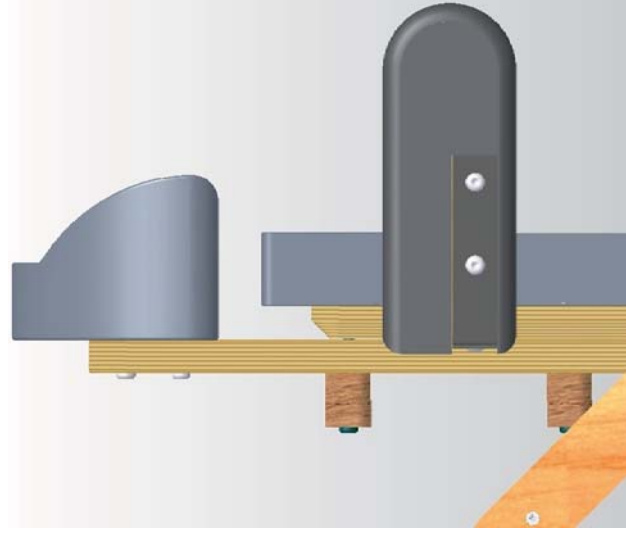
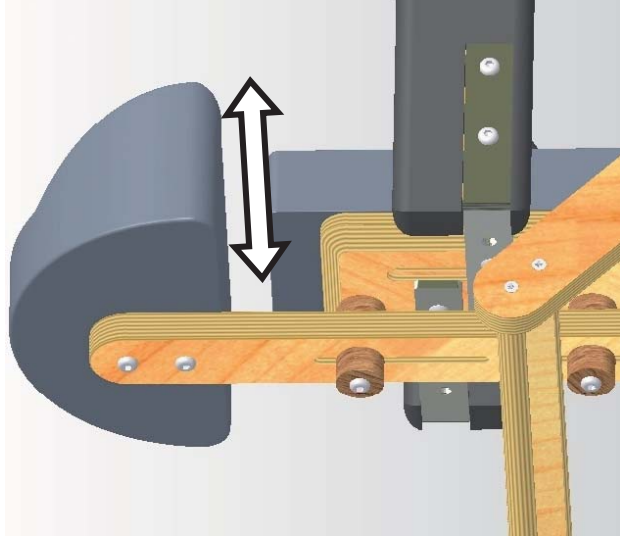


Lowest Position



Highest Position

Adjustment - Headrest Forward / Back Position



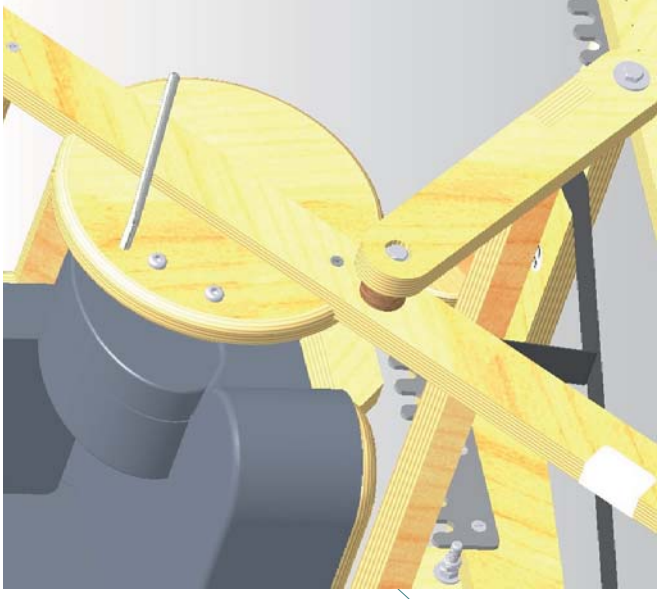
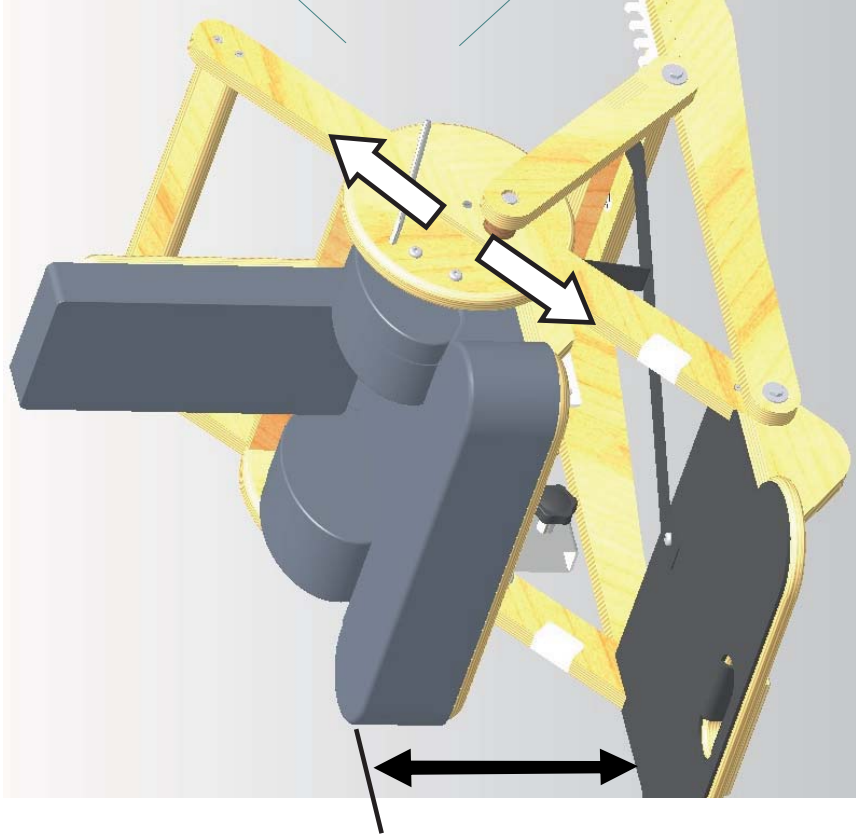
Forward

Middle

Back



Adjustment - Footrest Height



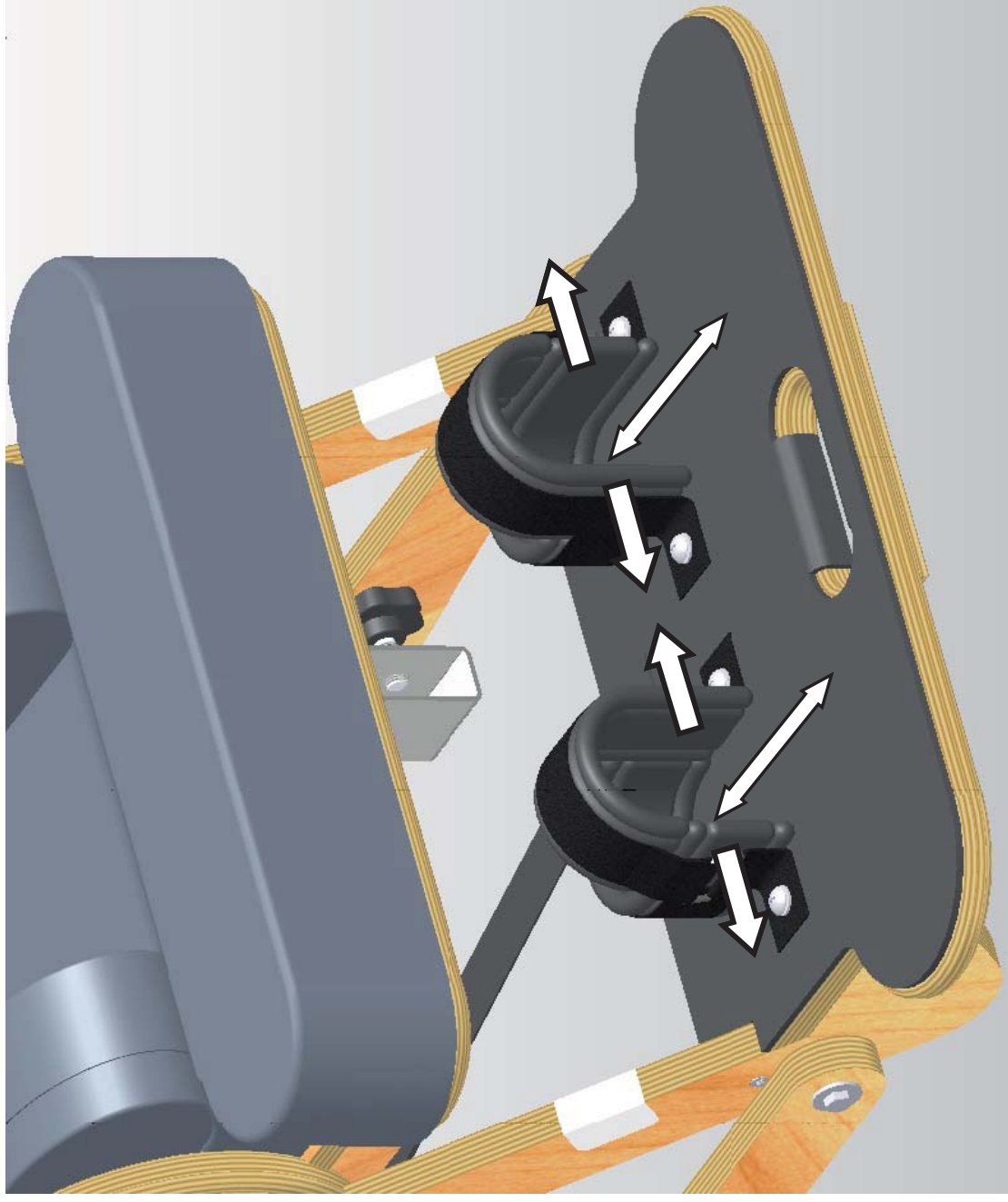
Highest Position



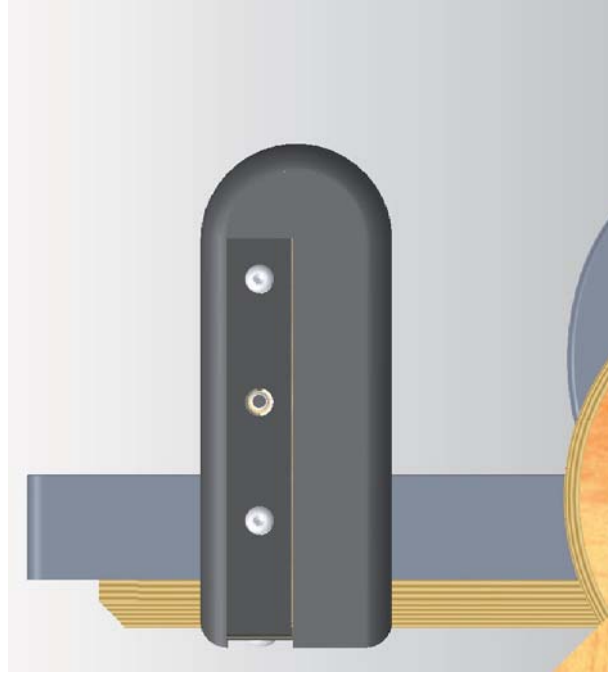
Lowest Position



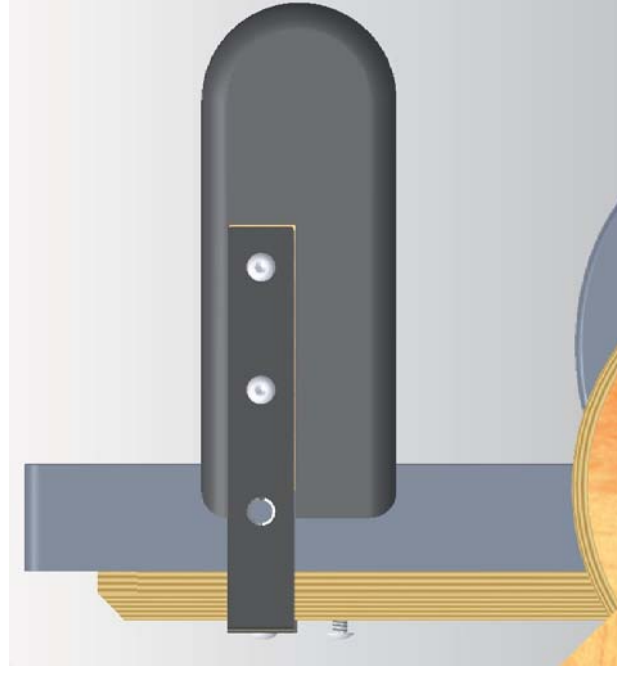
Adjustment - Ankle Strap Positions



Adjustment - Lateral Trunk Support Forward / Back Position



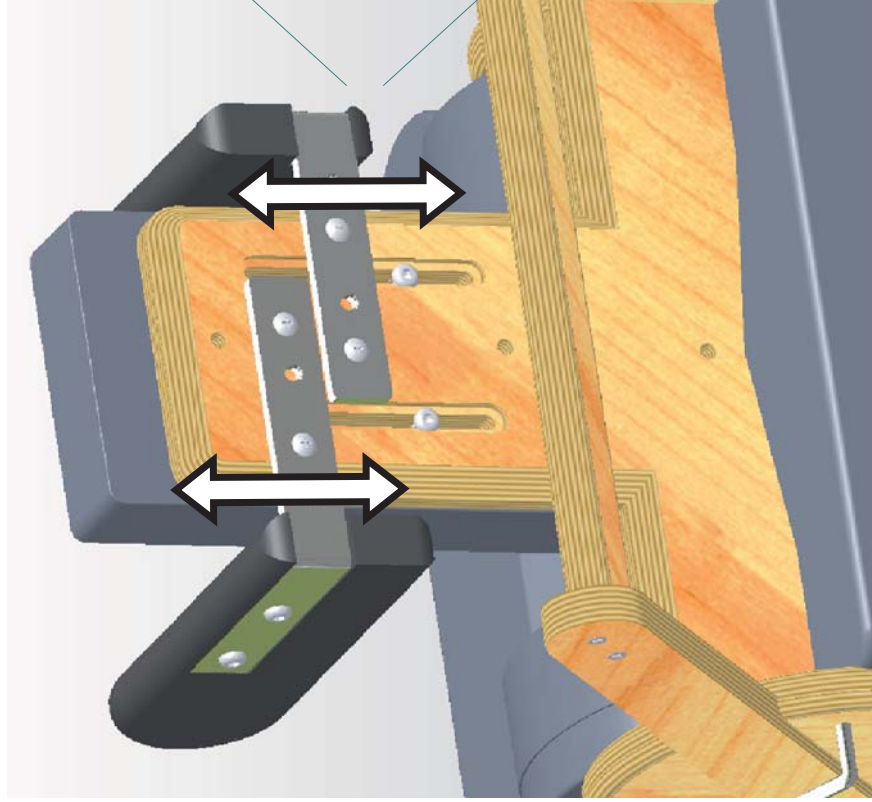
Back Position



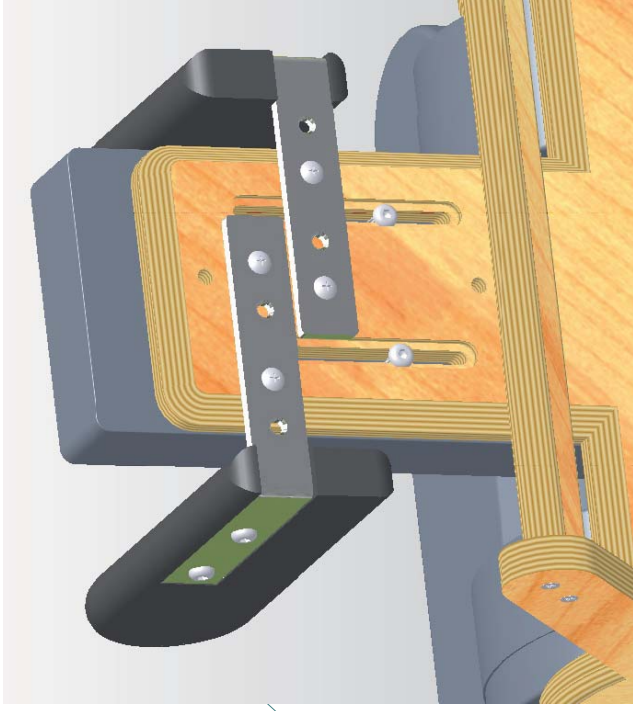
Forward Position



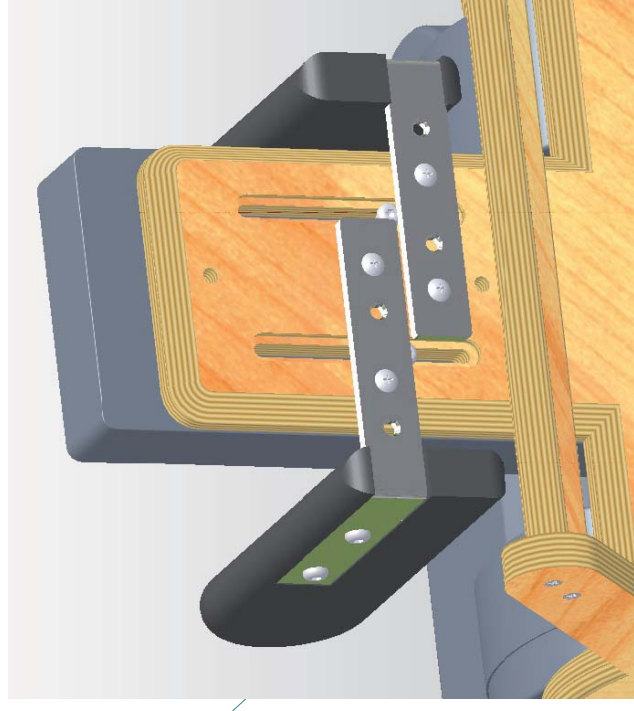
Adjustment - Lateral Trunk Support Height



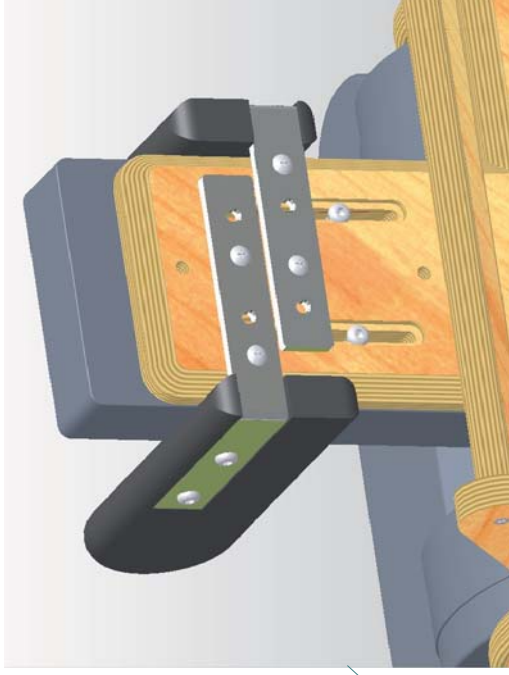
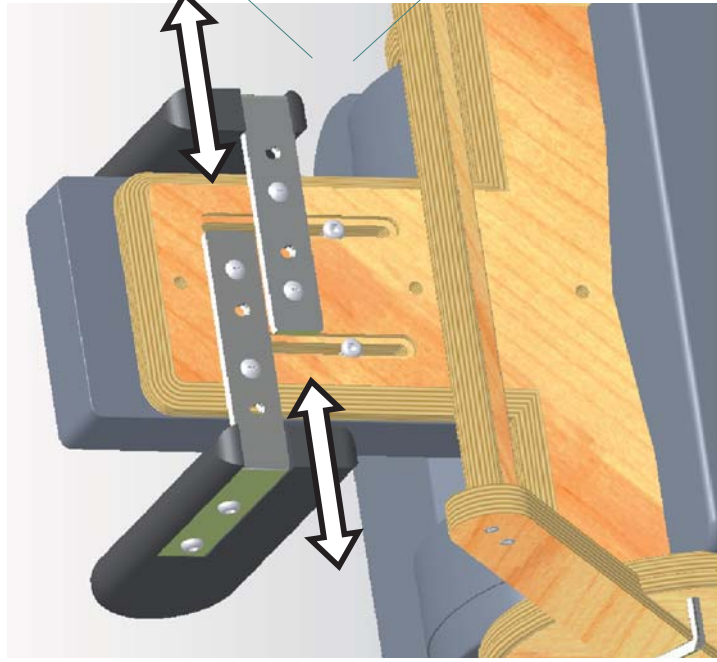
Highest Position



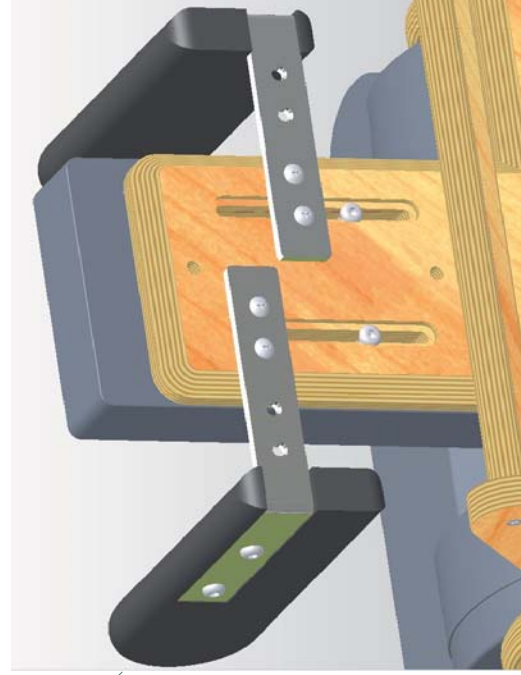
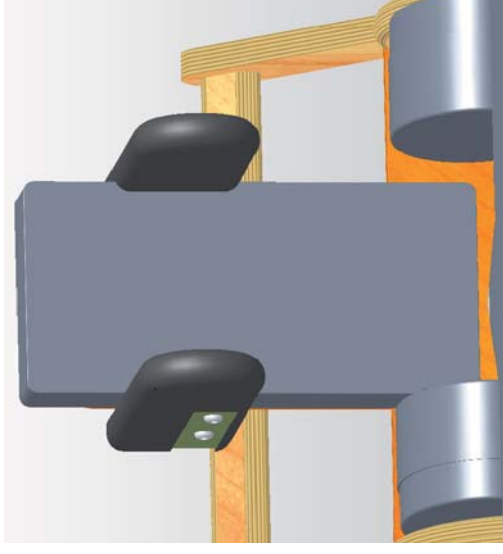
Lowest Position



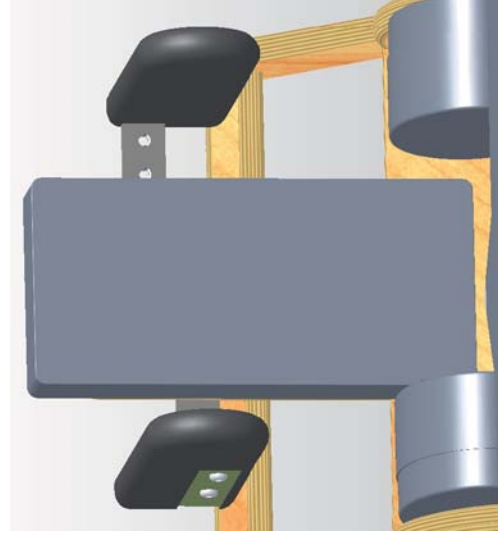
Adjustment - Lateral Trunk Support Width



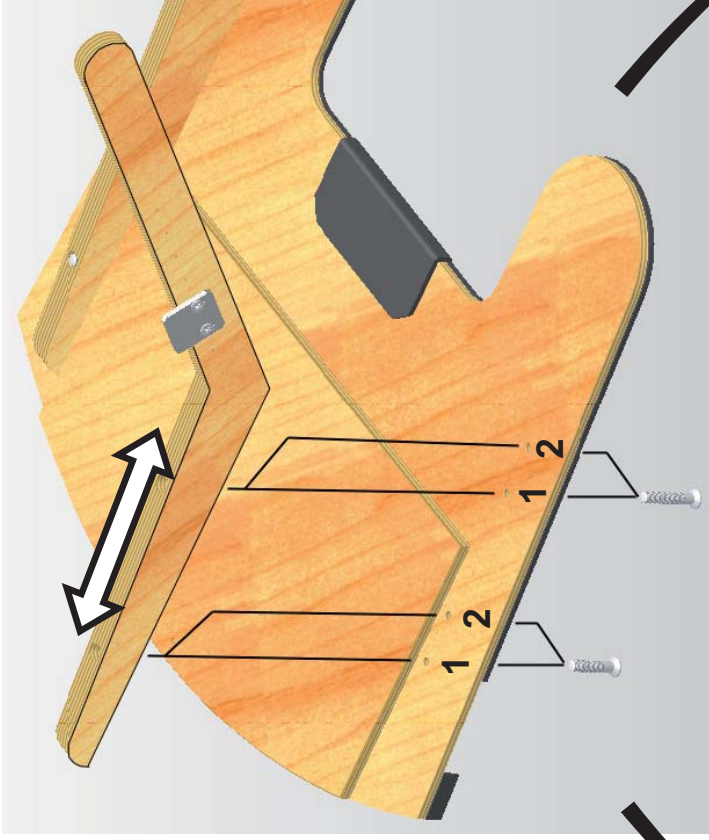
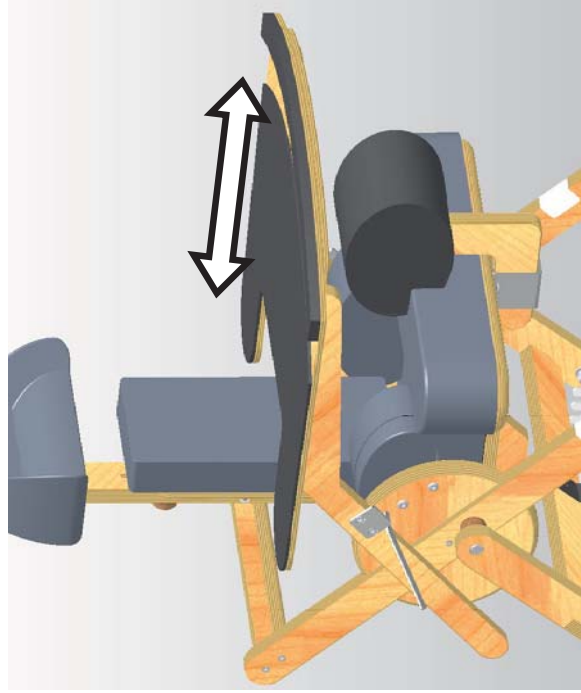
Narrowest Width



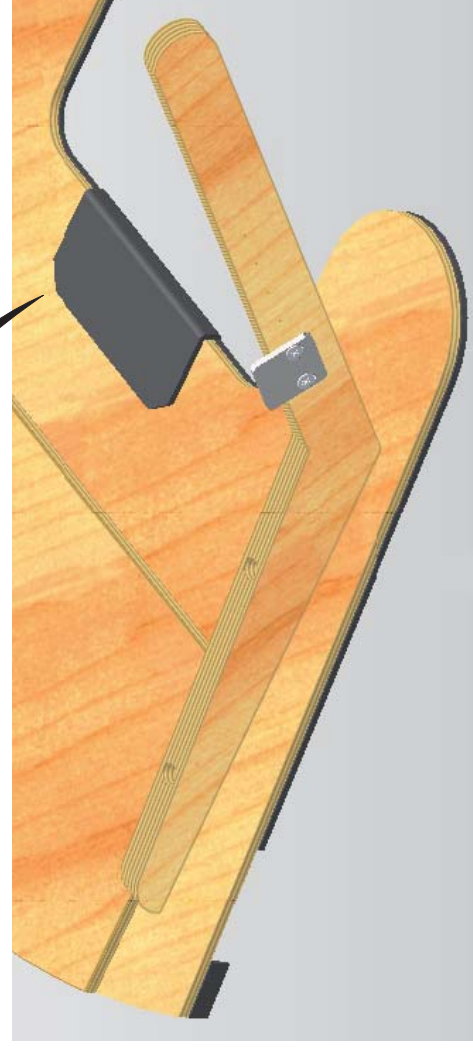
Widest Width



Adjustment - Tray Forward / Back Position

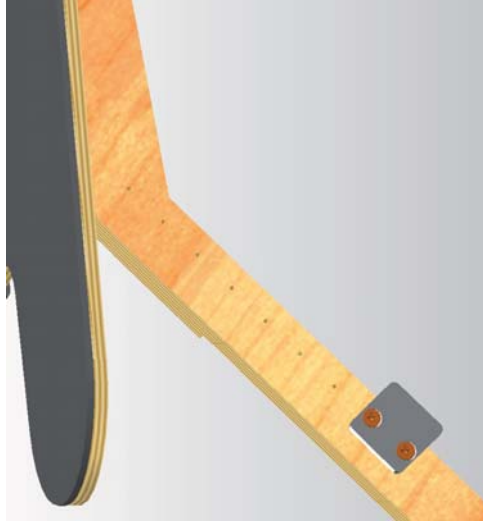


1. Back Position

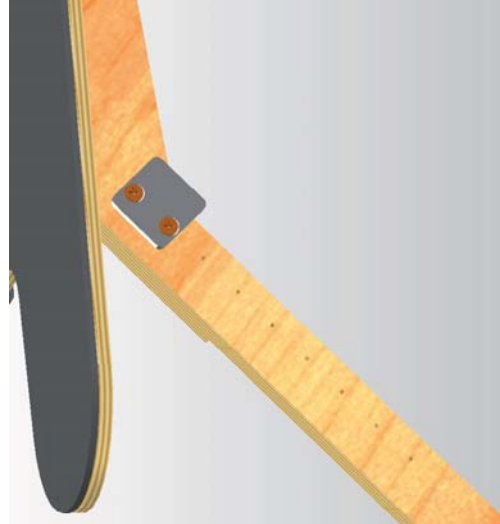
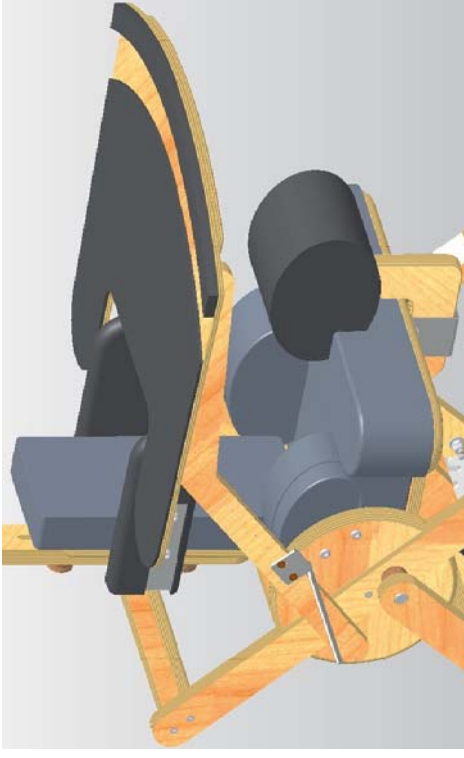


2. Forward Position

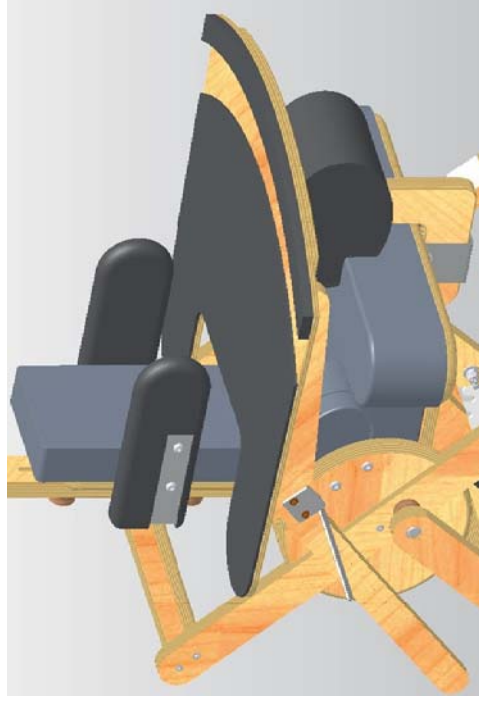
Adjustment - Tray Height



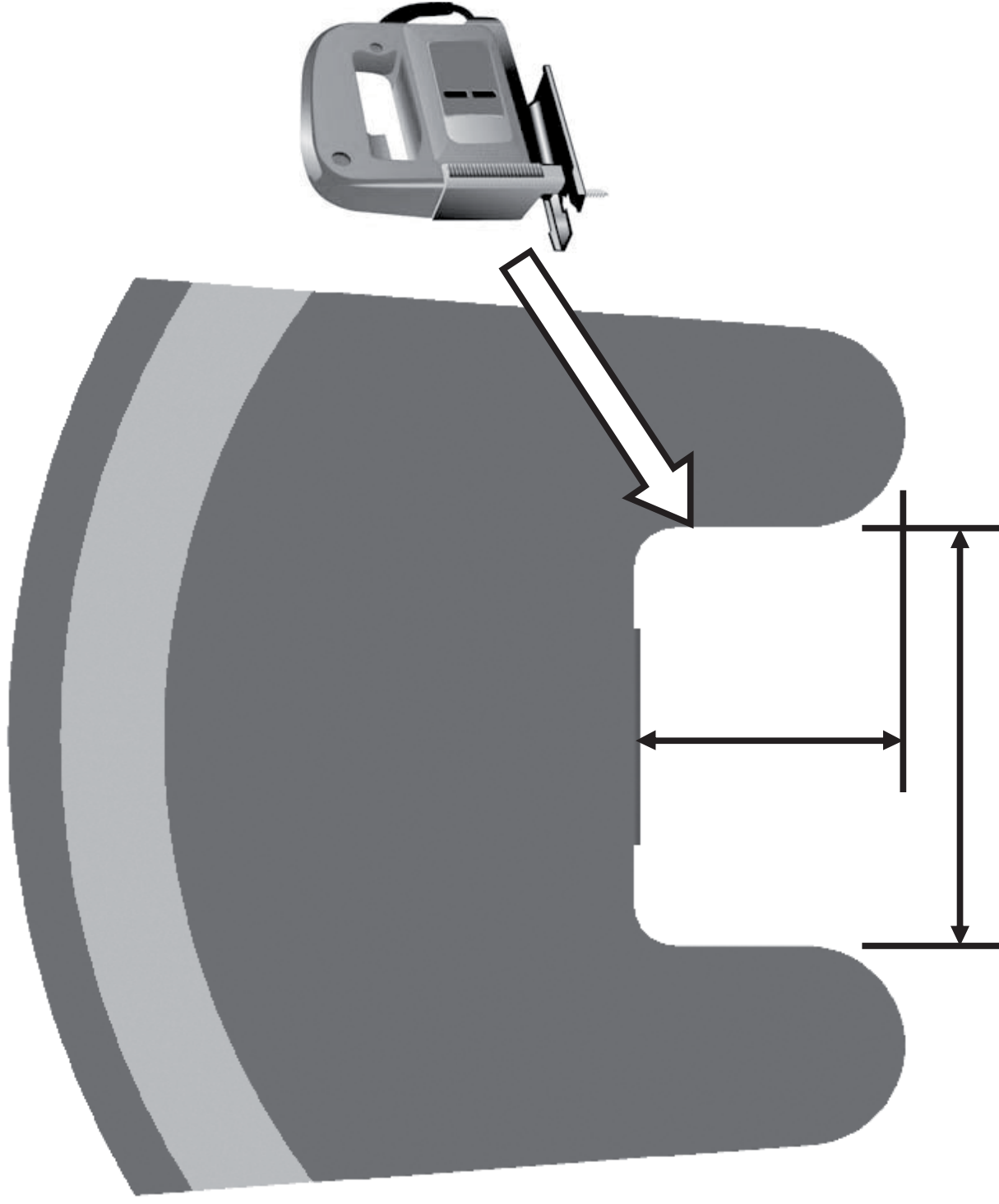
Highest Position



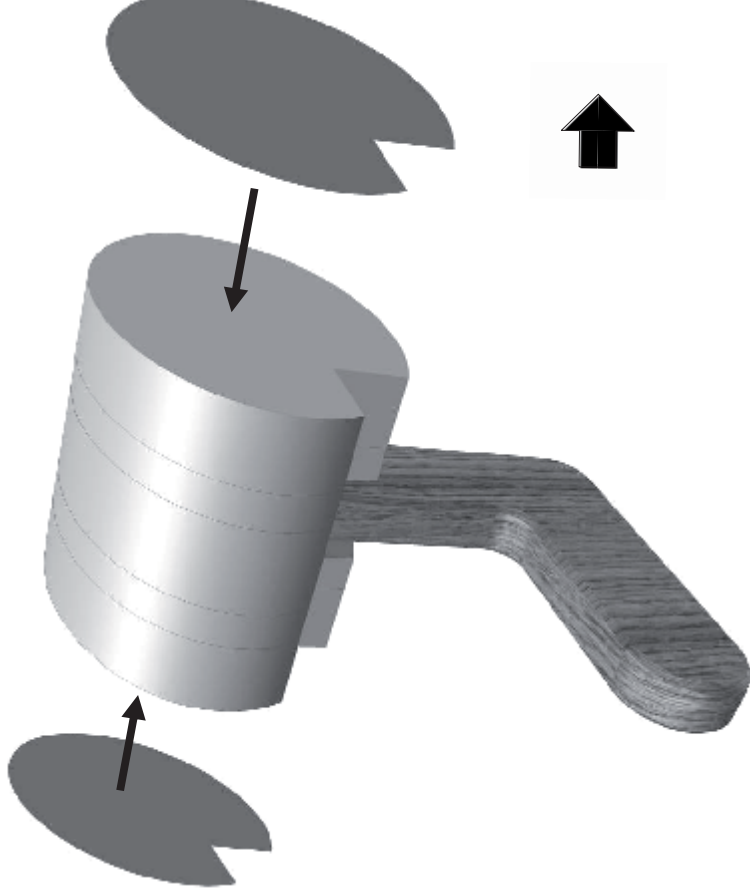
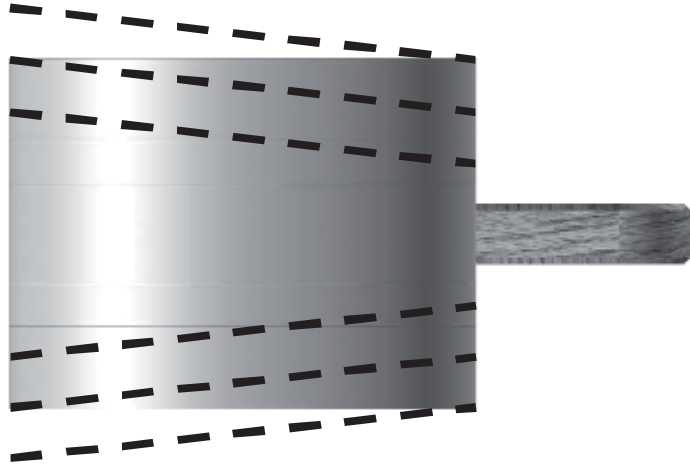
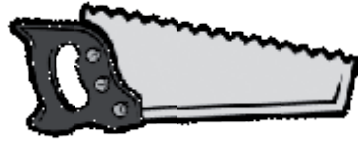
Lowest Position



Adjustment - Tray Cut-Out Width and Length



Adjustment - Knee Abductor Width and Angle



Adjustment - Tilt in Space Angle

