

Product Summary: Moti Start Portable Supportive Seat

The Moti-Start Portable Supportive Seat is a locally size adjustable supportive chair. It is intended for use by infants who need extra postural support. It comes semi-assembled and is easy to transport and has many features such as an adjustable tray and headrest, and a tilt-in-space seat. The product is designed for use on the floor but can be placed on a higher surface if the surface is large and stable enough to be safe. The product is distributed through a network of Motivation's service partners worldwide.

	Moti-Start Portable Supportive Seat
Product Code	WMSSG1-P-01
Product Description	Portable Supportive Seat
Manufacture	Made in China under license from Motivation
Document Issue	9
Date of issue	September 2014



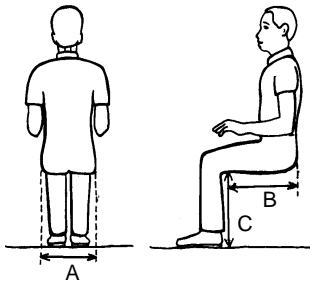
Overview

- The Moti-Start Portable Supportive Seat is a paediatric size adjustable chair.
- The Moti-Start is the smallest chair in a range of three chairs that accommodate different sizes of children (the other two being the Moti Go Medium and Large).
- It has a plywood frame, with durable upholstery and adjustable postural support components.
- It has eight daily adjustable tilt positions.
- The chair has been designed so that parts are easy to replace, maintain, repair or customise.
- Can be used at home or easily transported, for example, for use at school or visiting friends and family.
- One boxed semi-assembled supportive seat can be fully assembled and adjusted to suit the individual needs of the child.
- The chairs need final assembly and set-up and we recommend they are fitted to each user by trained assemblers & practitioners.
- The chair has been designed to allow individual modification to the postural support components to accommodate or correct problems with posture.¹
- The packaging is designed for easy disassembly for recycling or reuse.



¹ Intermediate service level training provides skills for prescribing and fabricating postural support modifications

Product user group



- The Moti-Start is for young children from approximately 6 months to 2 years of age, depending on body measurements.
- The Moti-Start is suitable for users whose body measurements fall within the following ranges:
 - A. Hip width: 140-240mm
 - B. Buttock to back of knee: 190-300
 - C. Back of knee height from bottom of feet: 160-260mm
- Maximum user weight: 25kg (55lbs)

Environment

- The supportive seat is designed for use indoors on the floor or a flat surface. It can be moved easily between rooms by either using the 'grab handle' at the front or using the tow strap and can be used where space is limited.
- The chair can be folded easily and is light weight.
- Although the wheelchair is primarily for indoor use it is suitable for use outdoors.

Supportive Seat adjustments

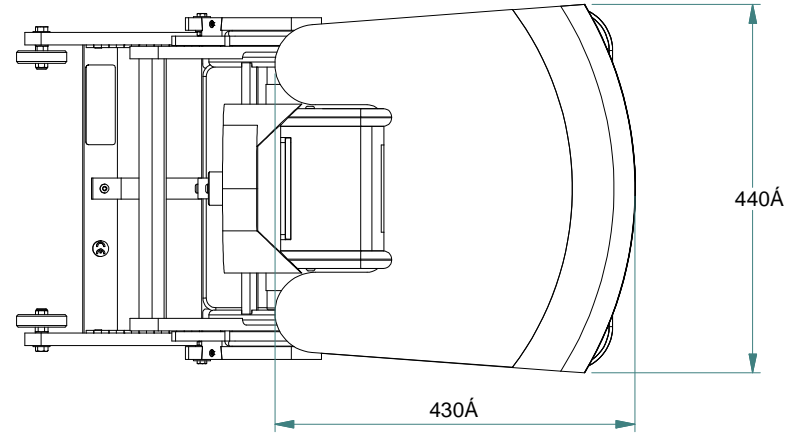
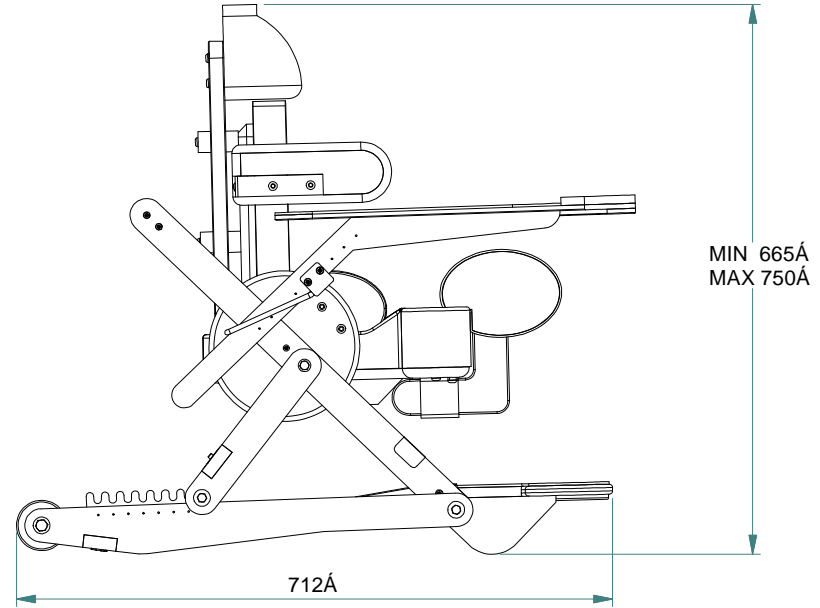
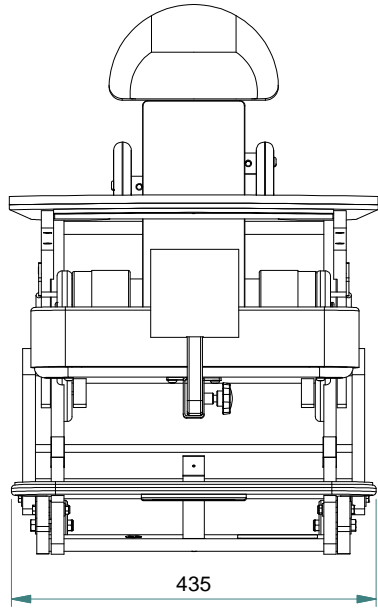
Hip pad width*	140-240mm *Range achieved by adding or reducing foam from the adjustable hip pads
Seat depth	160-270mm
Backrest angle	The angle between backrest and seat is always 90 degrees.
Backrest height	260-345mm
Daily tilt angles	Choice of eight positions from vertical backrest up to 17 degrees of backward tilt. Quick and easy to adjust without any hand tools.
Footrest height	160-260mm
Footrest angle	Parallel to the seat angle
Lateral trunk supports: width	120-180mm
Lateral trunk supports: height*	130–250mm *Measured from top of seat to top of support
Lateral trunk supports: forward / back	2 options, Forward and Back, 45mm range
Headrest height	310-420mm
Headrest position	60mm *30mm forward or backward adjustment from standard position

Abductor width*	25 – 110mm *Can be individually modified right and left
Tray height	Varnished plywood tray with non-slip EVA (Ethylene Vinyl Acetate) foam top. Height adjustable 110-180mm
Tray forward/backward	Depth adjustable 100mm * Standard cut-out can be increased in width and depth to match the user by cutting out the tray surface (and varnishing the cut edge)

Performance specifications

Backrest	Height adjustable. Polyurethane foam padding inside water resistant washable cover. Varnished 15mm plywood base.
Trunk supports	Adjustable width, length and height. Pads covered with EVA (Ethylene Vinyl Acetate) foam.
Abductor	Removable abductor with EVA (Ethylene Vinyl Acetate) foam (highly water resistant) outer surface. Quick and easy to take on and off, without using hand tools.
Cushion	Cushion with adjustable length pre-ischial shelf feature, inside a water resistant washable cover. Cushion and cover are easily removable (without hand tools) for cleaning and adjustment.
Lifecycle	The product is designed to provide at least 3 years of service, during normal use and providing it is appropriately maintained.
Carry handle	For carrying the product when the chair is empty.
Wheels	Small plywood rear wheels in combination with carry handle and tow-strap provide some short distance mobility for this product.
Seat	Varnished 12 mm plywood flat seat base (beneath the cushion).
Headrest	Contoured headrest with removable, washable cotton cover. Adjustable headrest height and depth. The contoured headrest shape can be easily modified if necessary.
Straps	The chair is supplied with shoulder, pelvis and ankle straps. A towing strap is also supplied to help with short distance mobility.
Standards	This product is ISO 9001 (2008- 2013) and ISO 13845 (2008- 2013) certified.
Finish	Metal components are galvanised or passivated. Wooden components are finished with exterior grade varnish.
Transport / storage	The chair is foldable.
Box details	Plain brown five ply cardboard with black printed graphics. The packaging is <i>not</i> waterproof. Outside dimensions - 740X460X370mm.

Weight	Net weight of the Moti- Start is approx. 7.9 kg.
Care and maintenance	This product comes with a User Tool Kit, which contains basic hand tools to allow basic care and maintenance procedures to be carried out on the product.
Spare parts	Standard spare parts packs are available, and a detailed spare parts list can be given on request.



Product Summary
Moti Start Supportive Seat motivation