

Active Folding Wheelchair

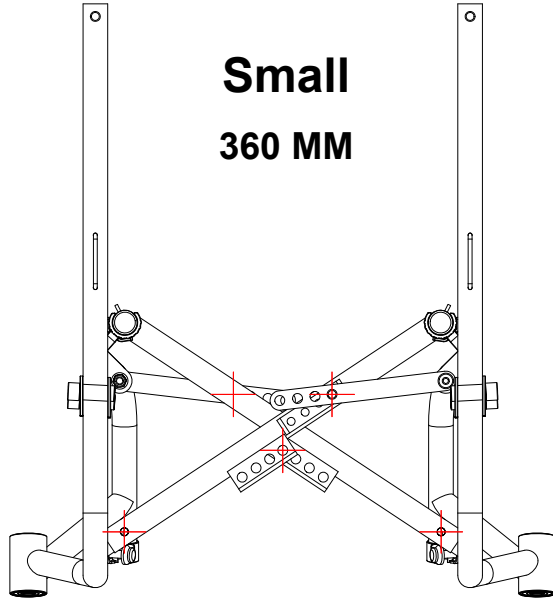
Assembly Manual

March 2017

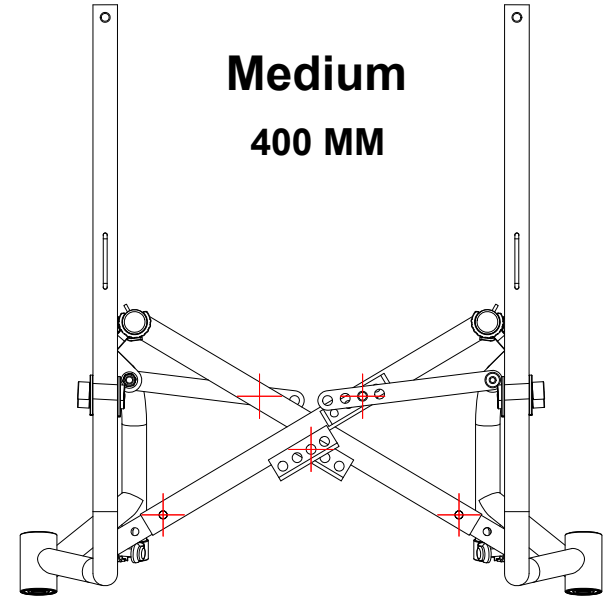


Frame Sizes

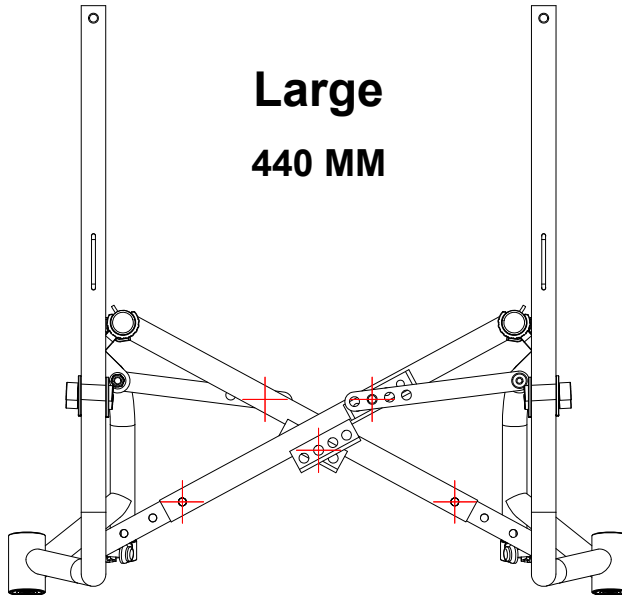
Small
360 MM



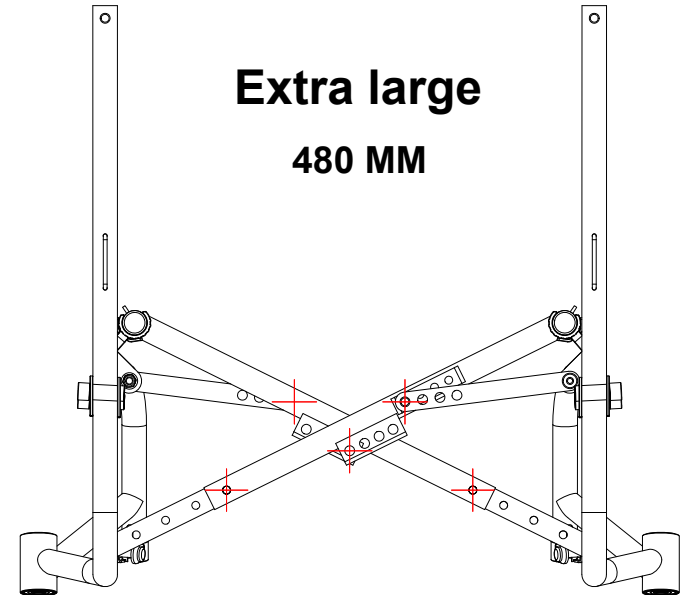
Medium
400 MM



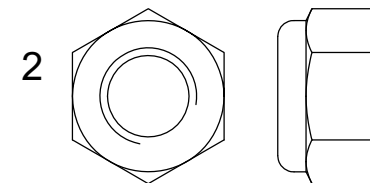
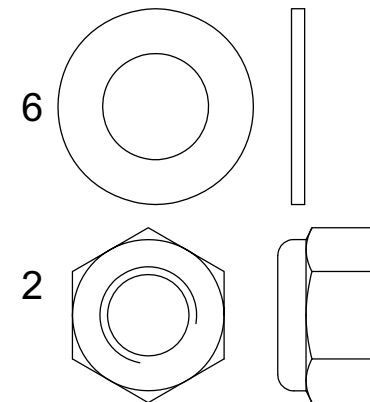
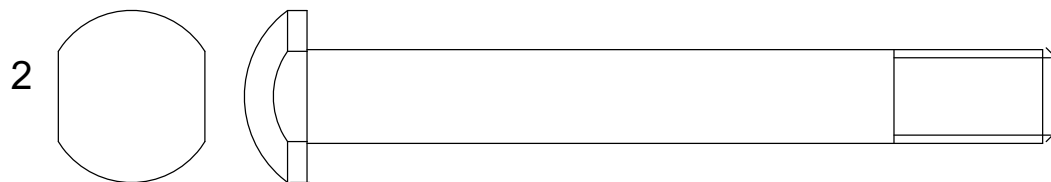
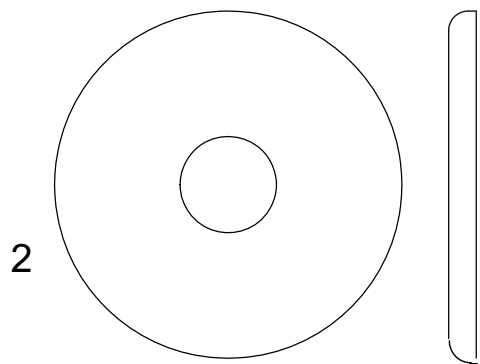
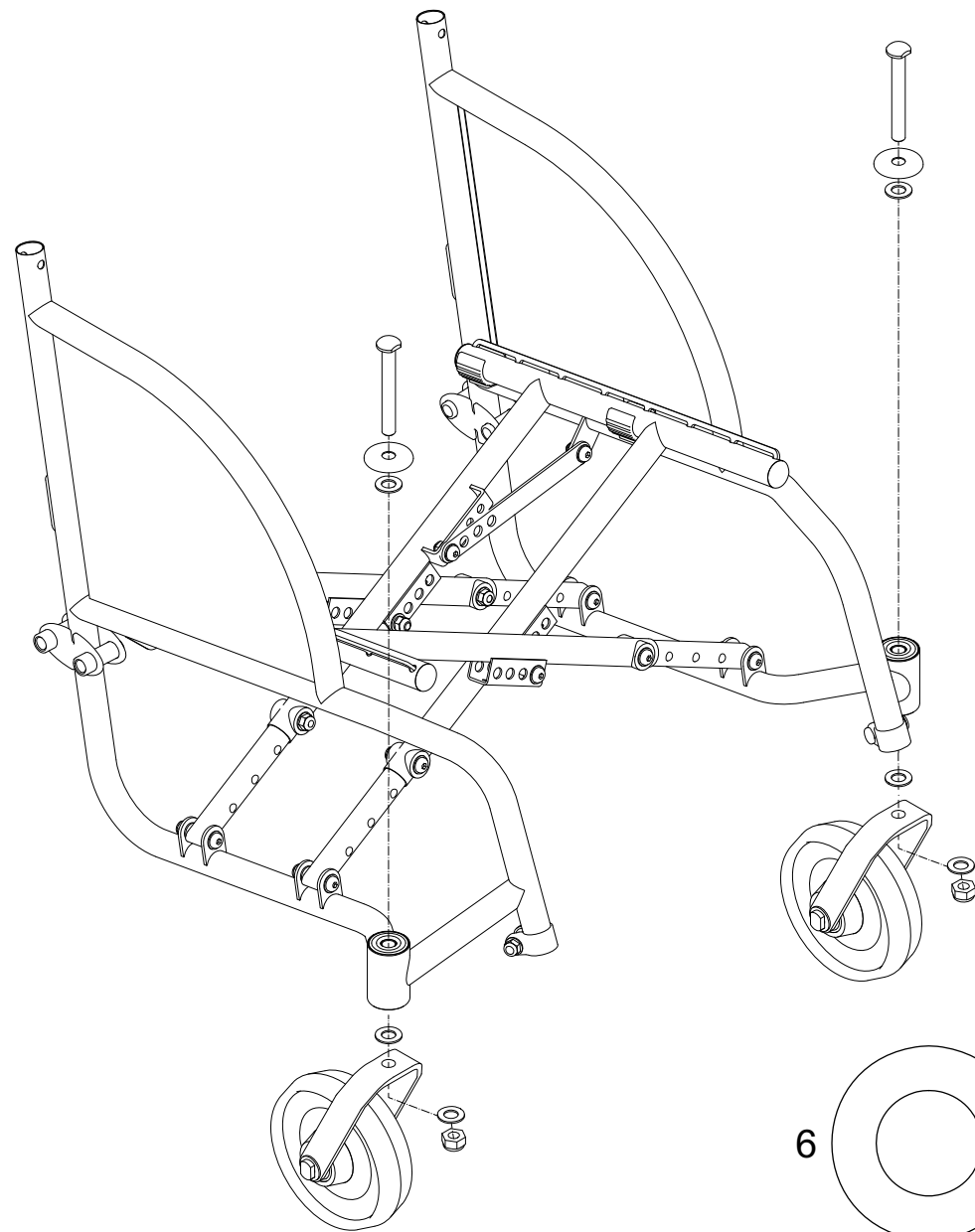
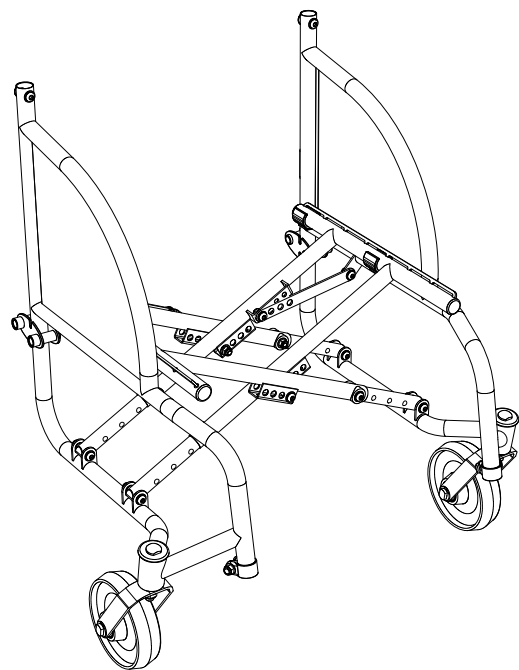
Large
440 MM



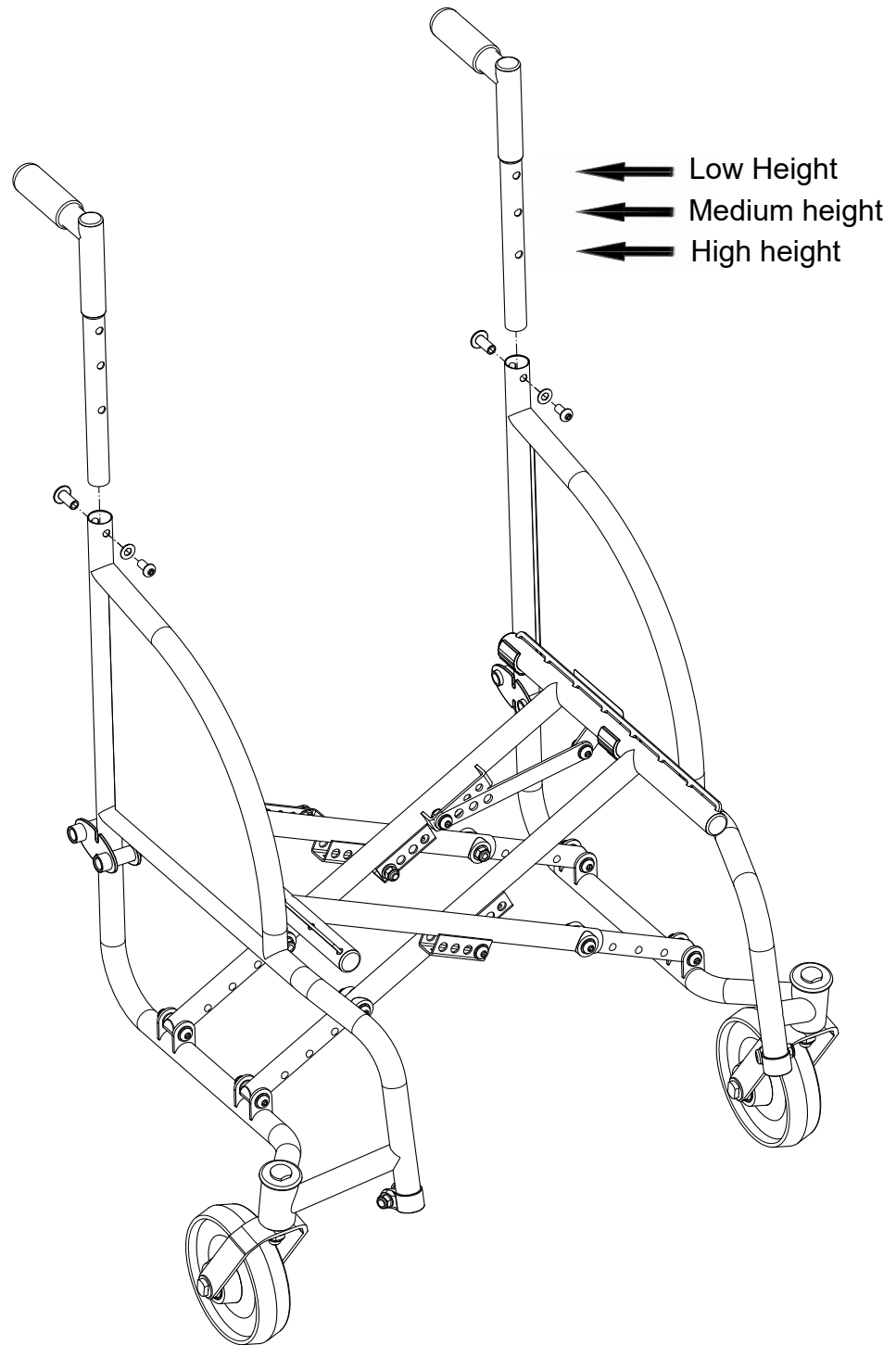
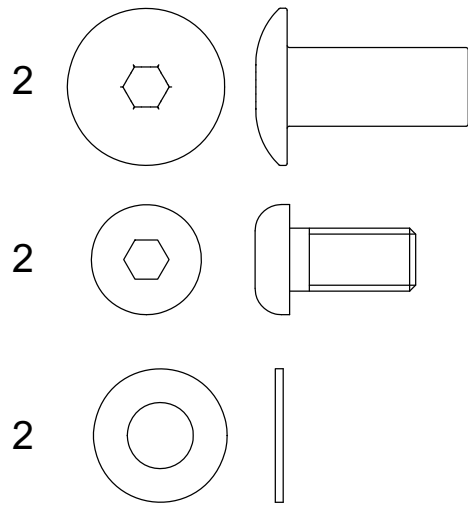
Extra large
480 MM



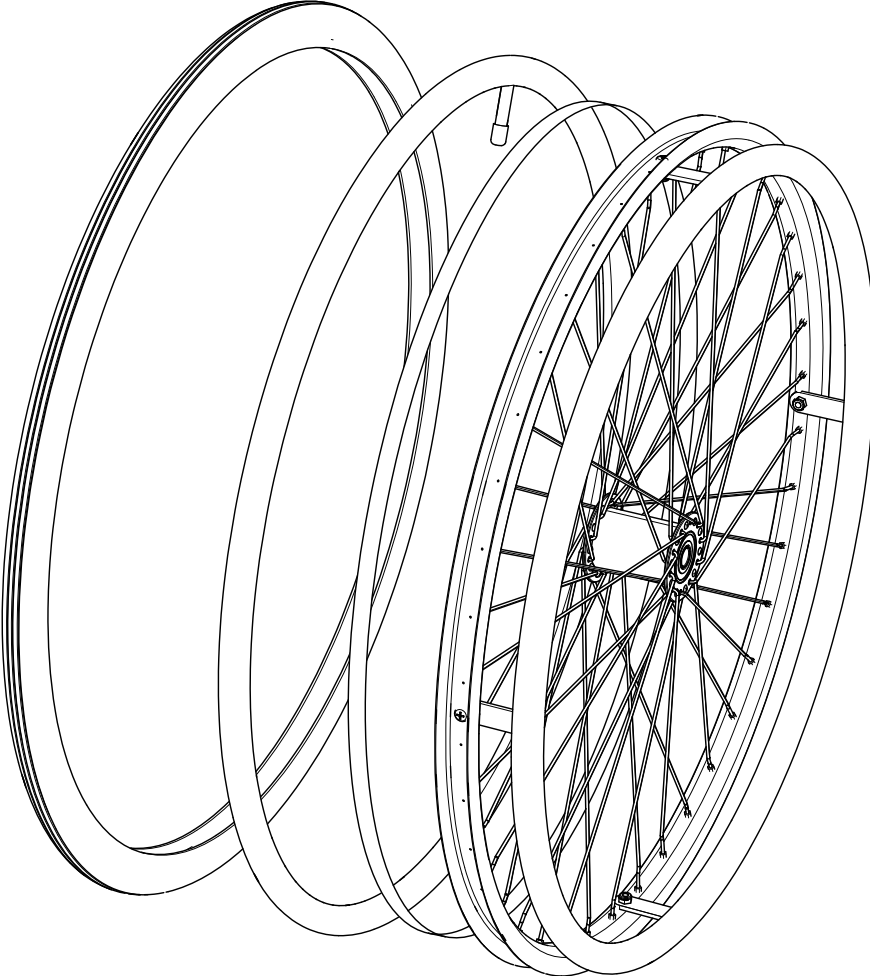
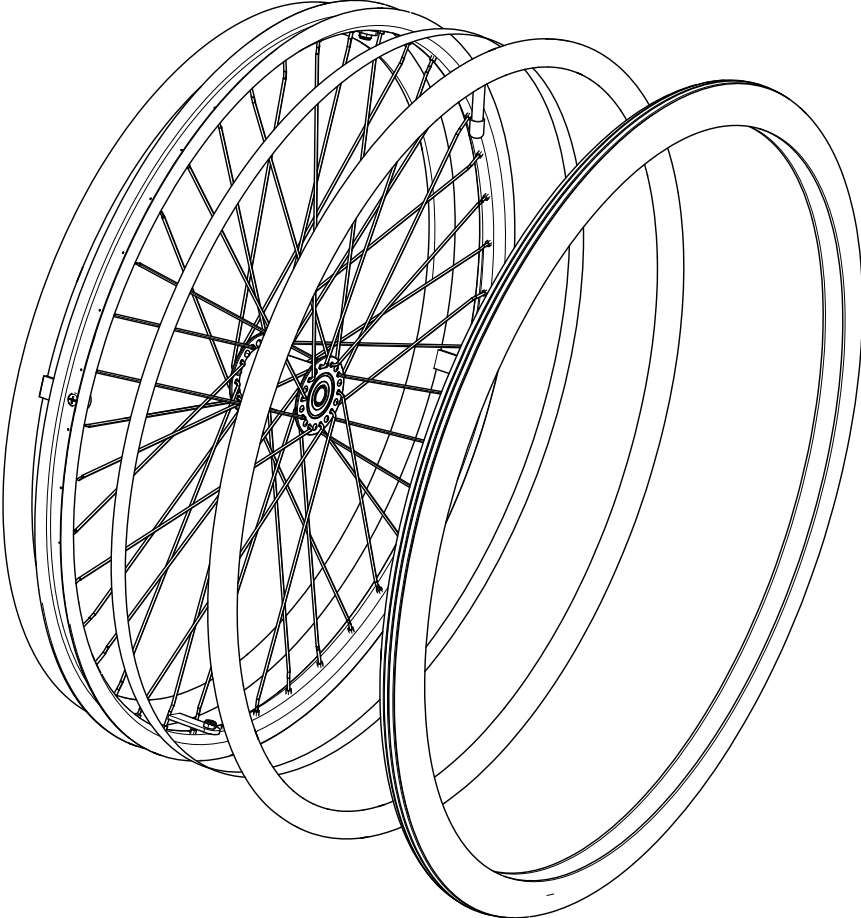
Castor Wheel Assembly



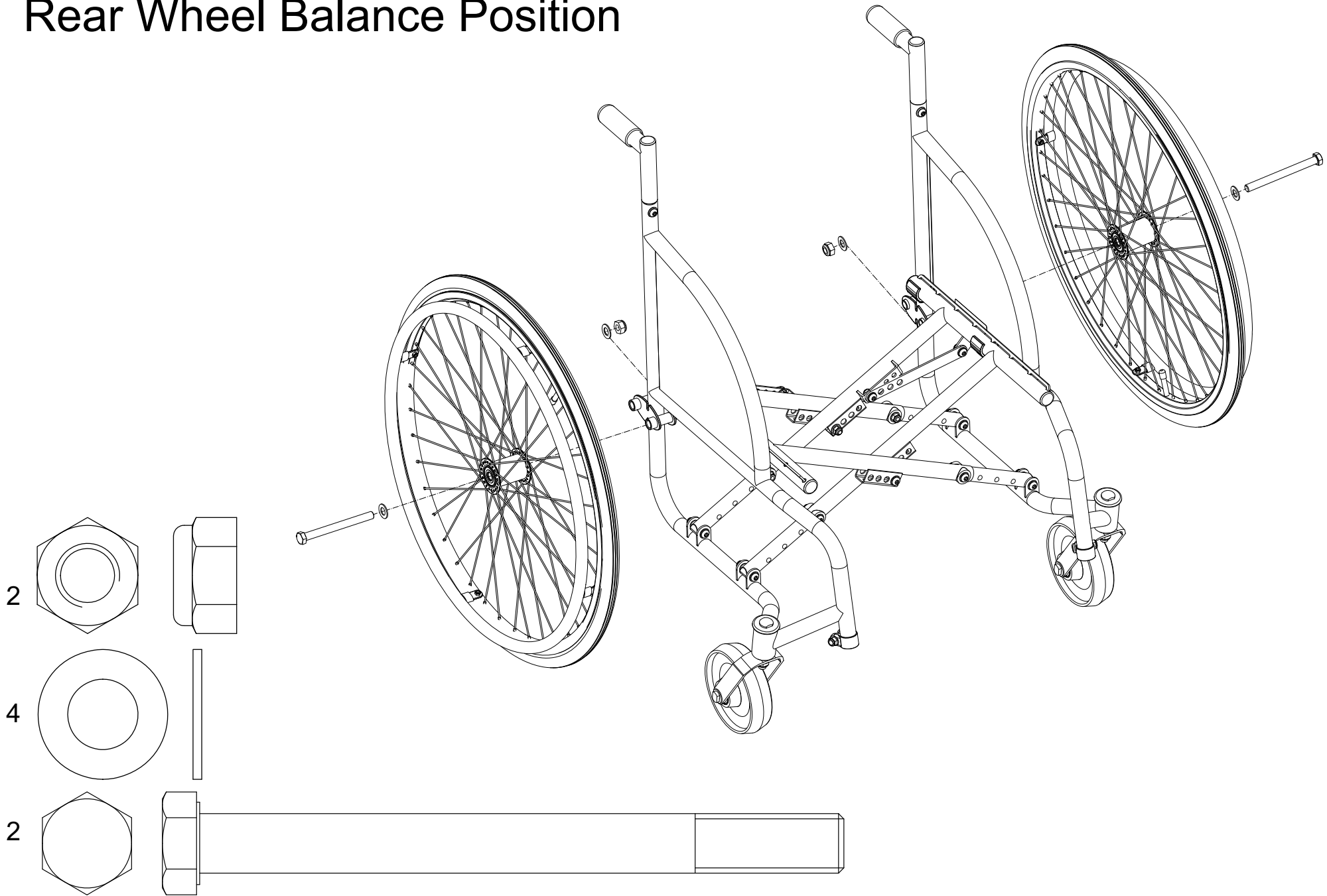
Push Handle Assembly



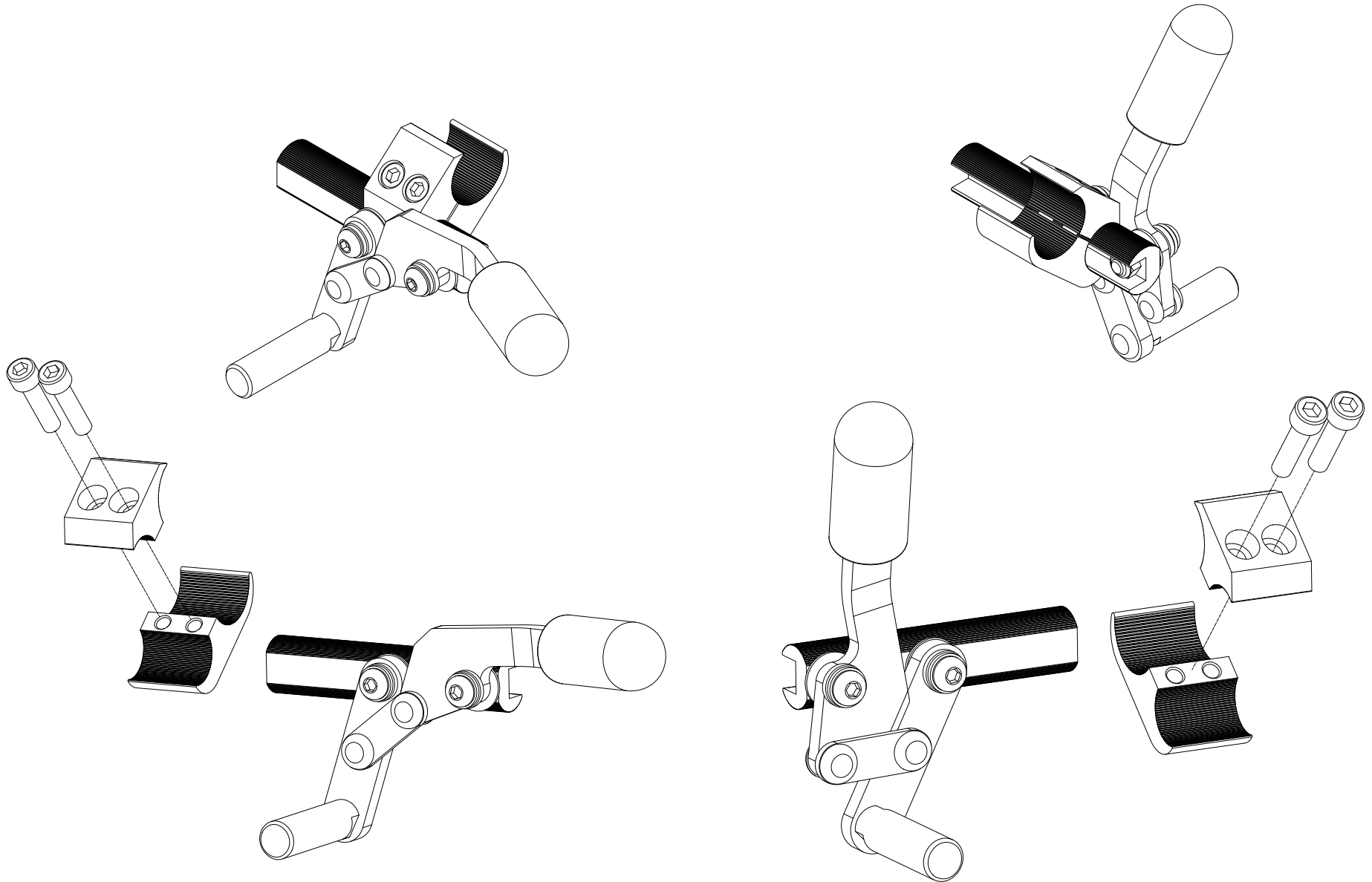
Rear Wheel Assembly



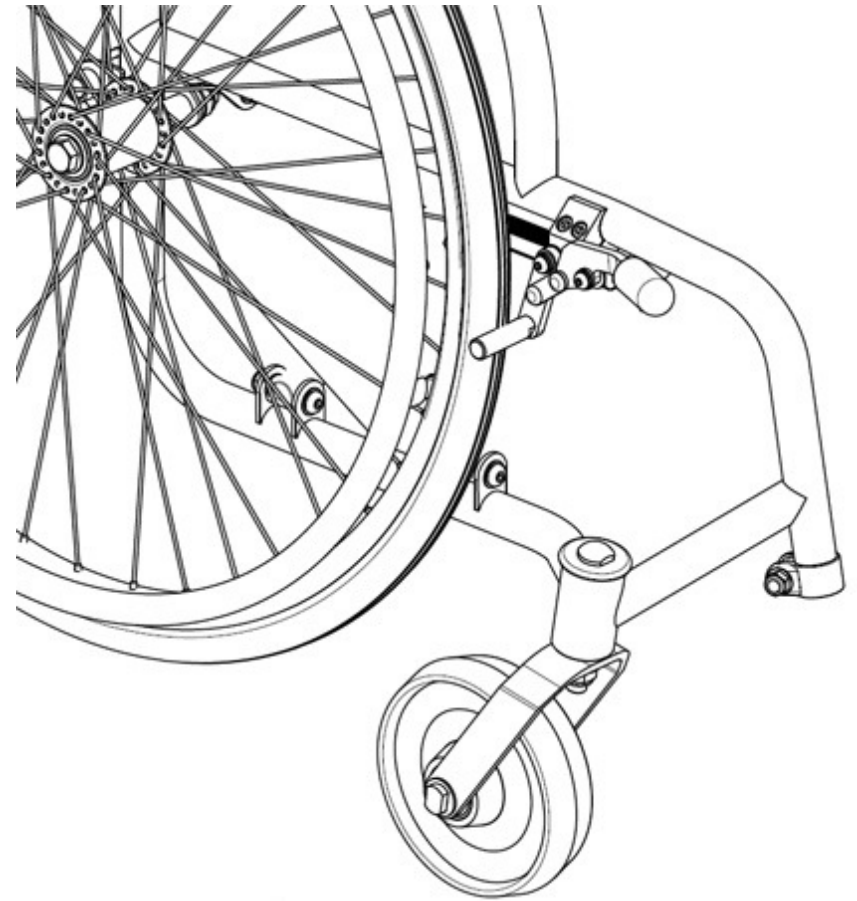
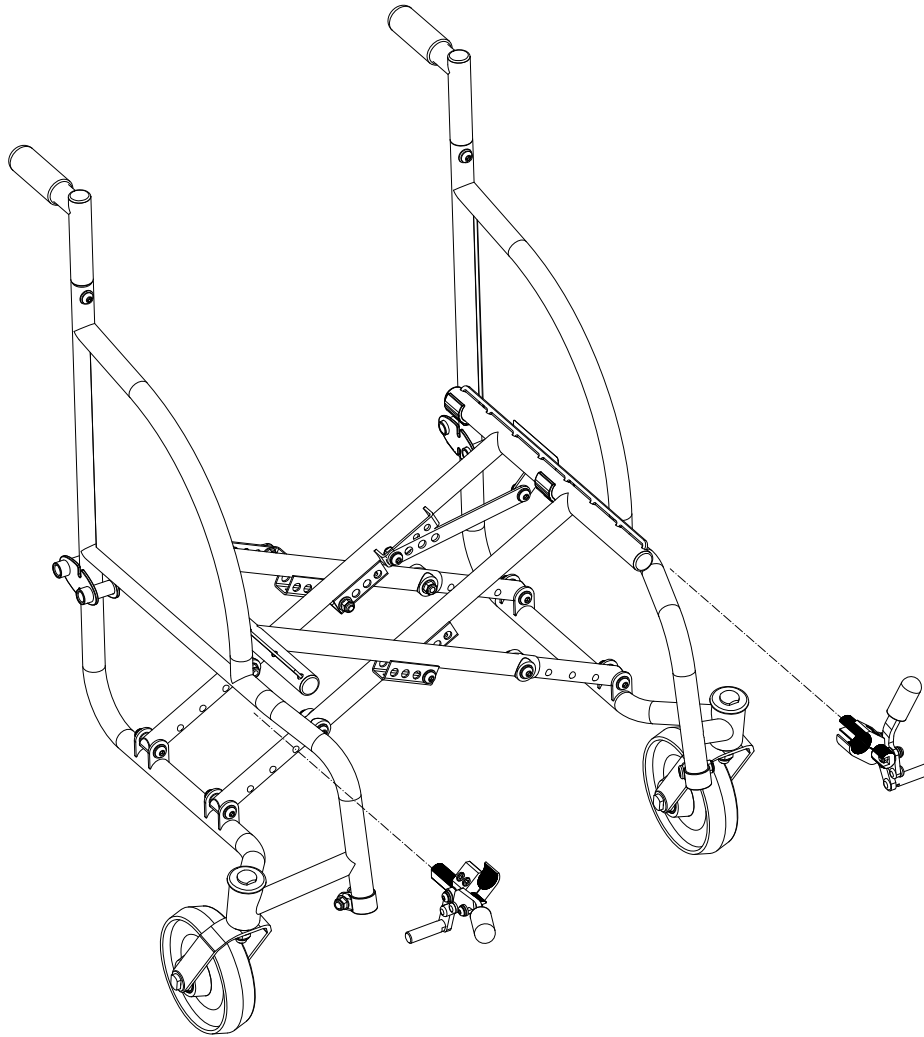
Rear Wheel Balance Position



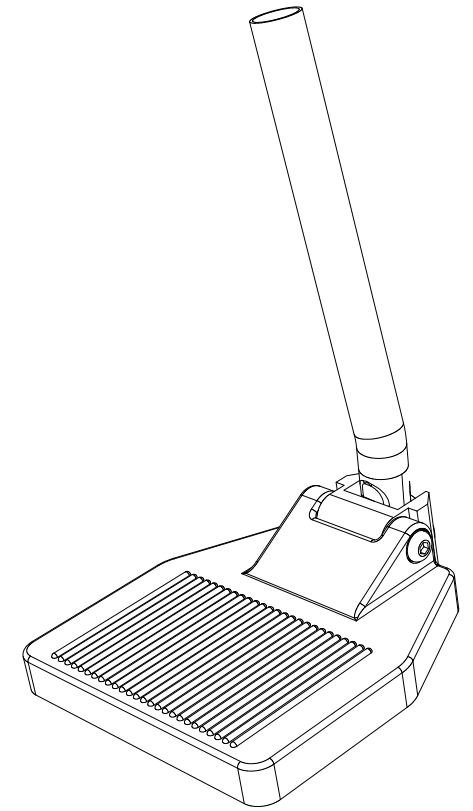
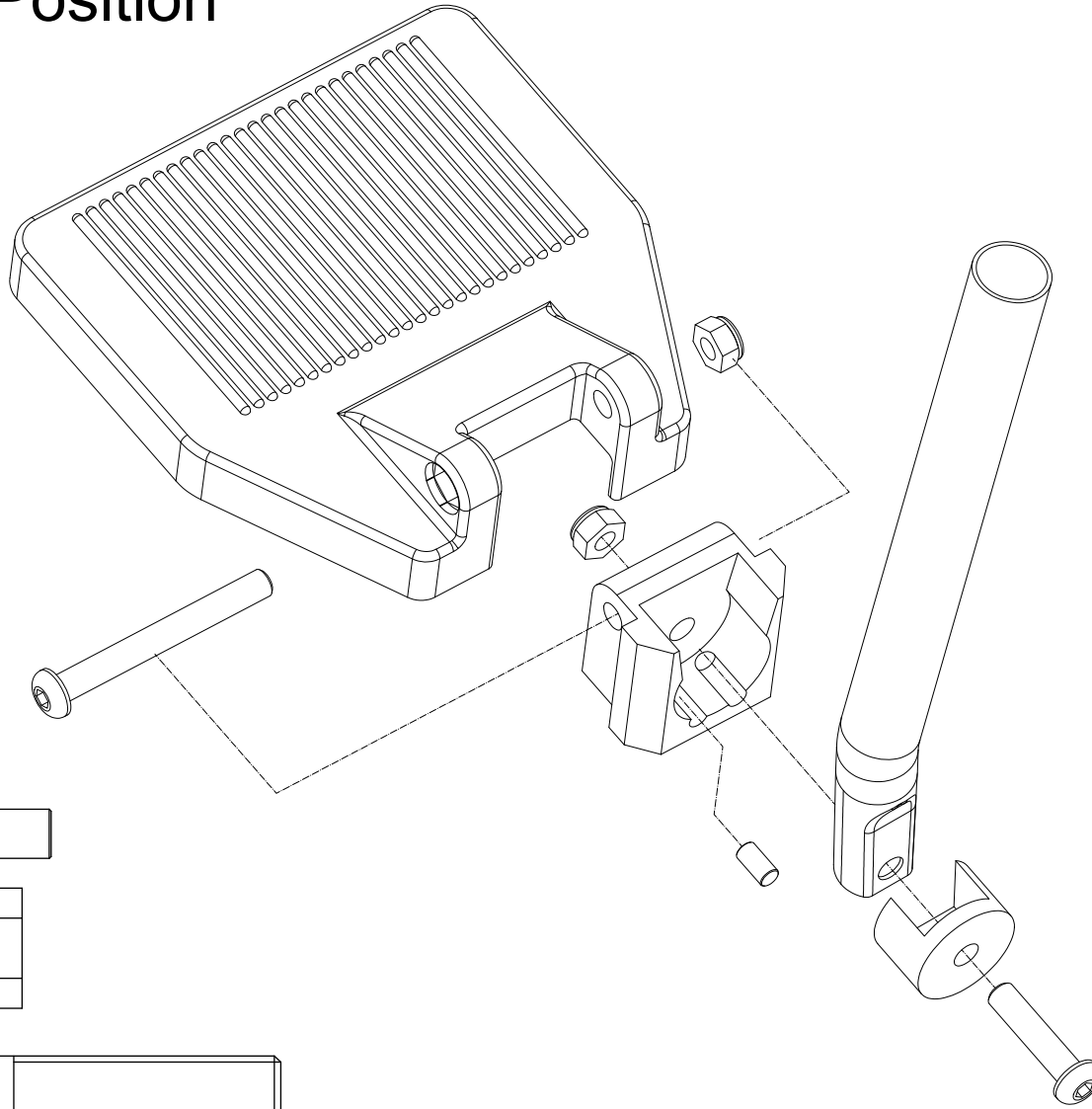
Brake Assembly



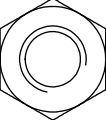
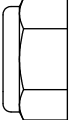
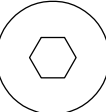
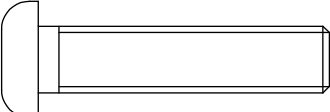
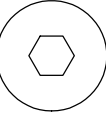
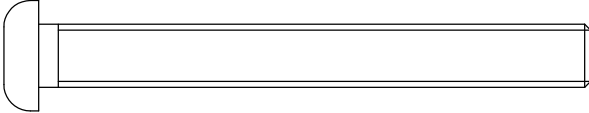


Brake Assembly

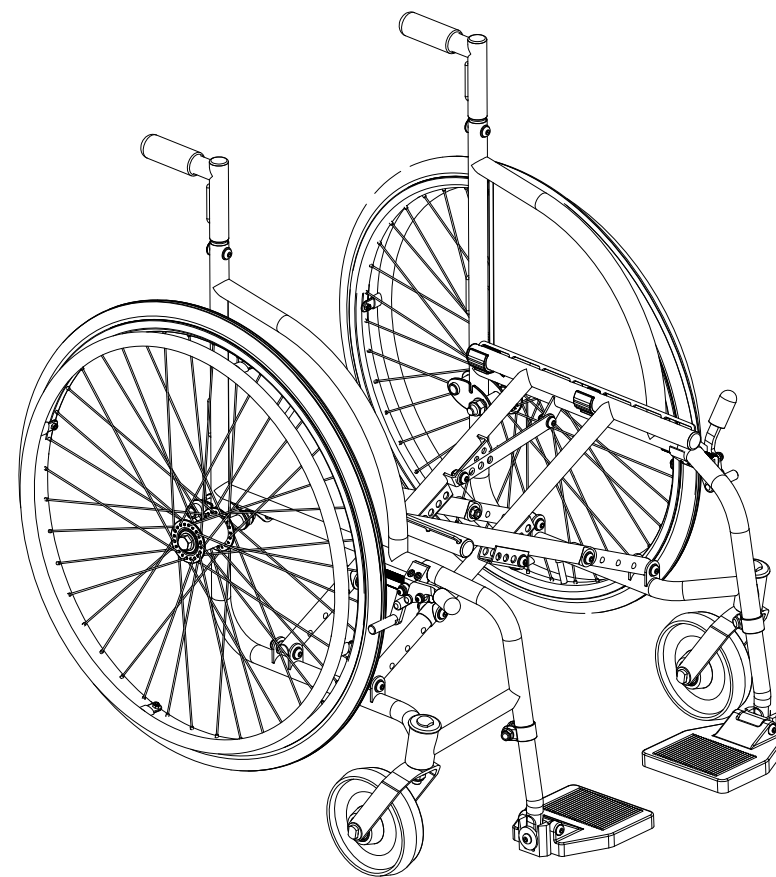
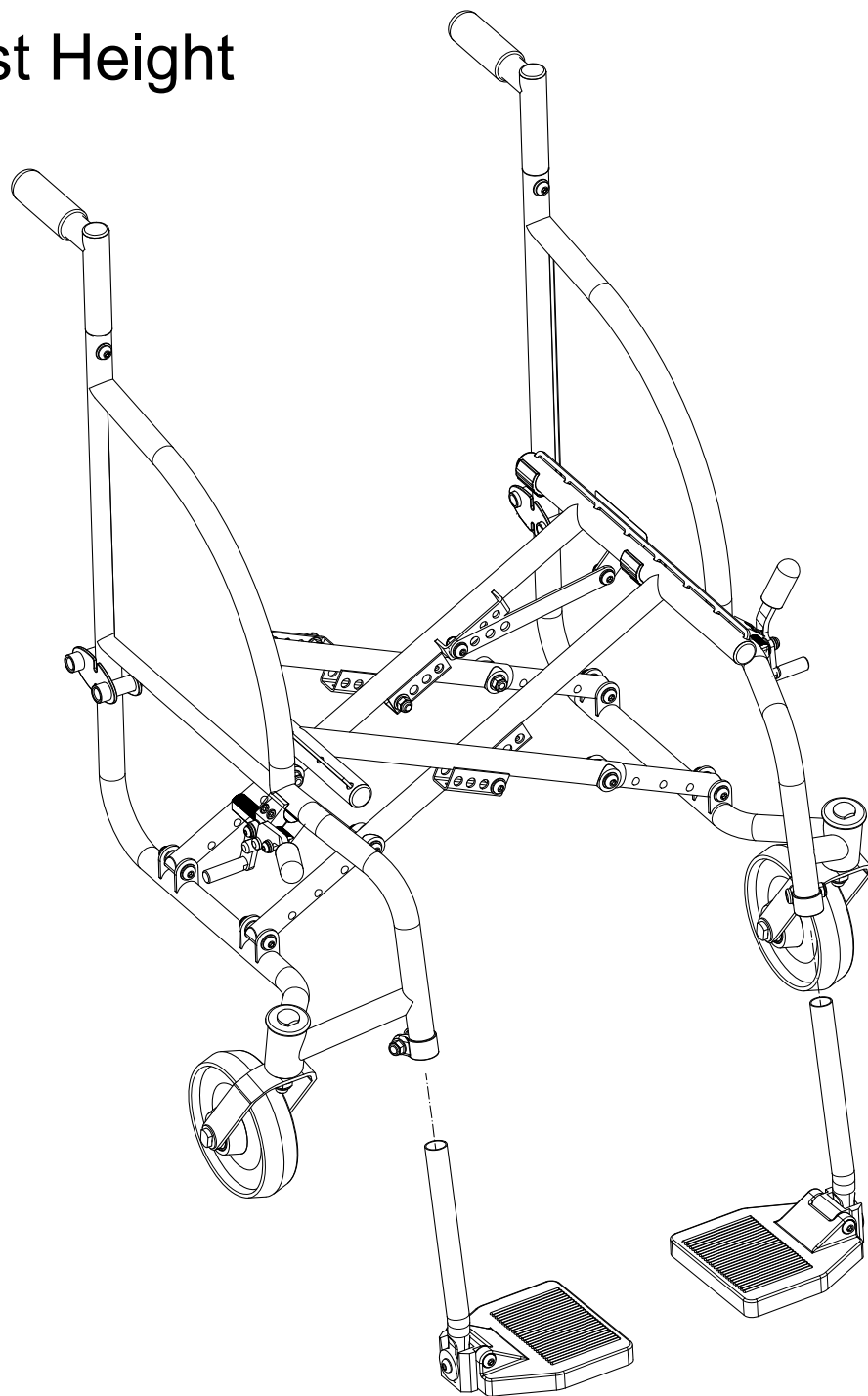


Footrest Position

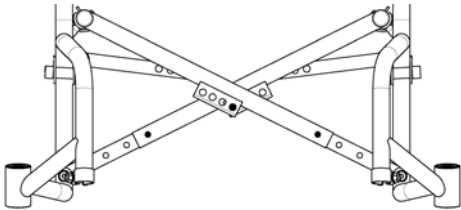


- 1  
- 2  
- 1  
- 1  

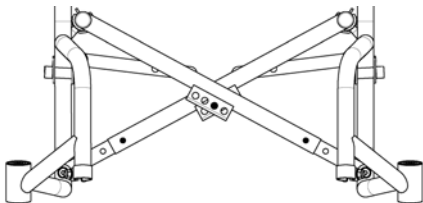
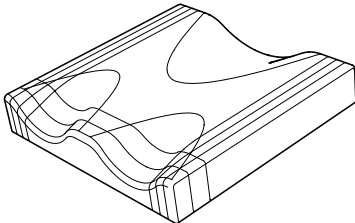
Footrest Height



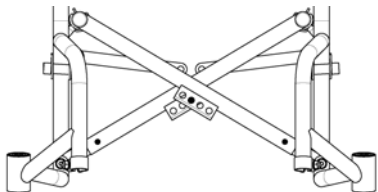
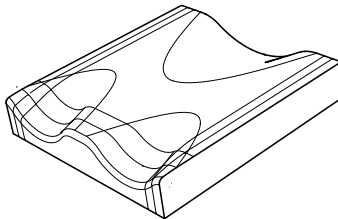
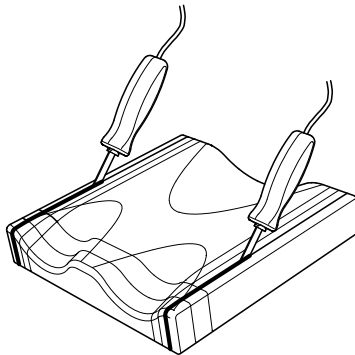
Cushion Width



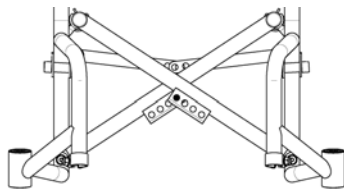
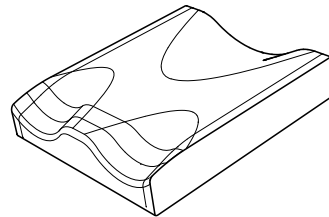
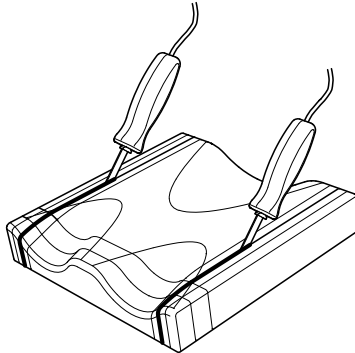
480mm



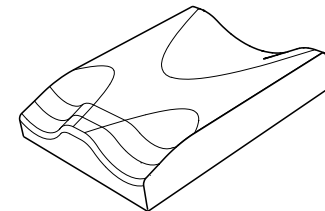
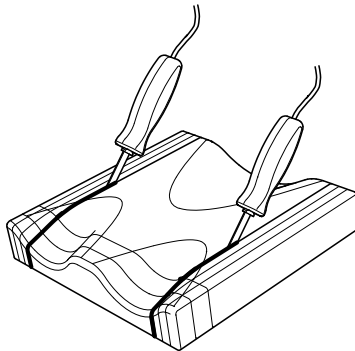
440mm



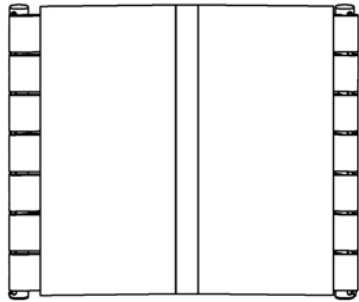
400mm



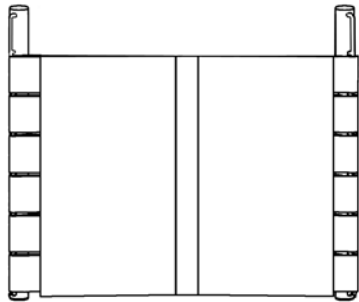
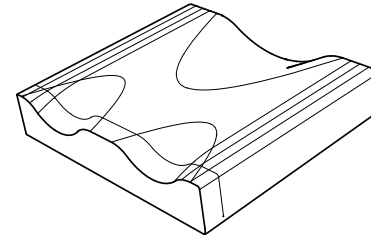
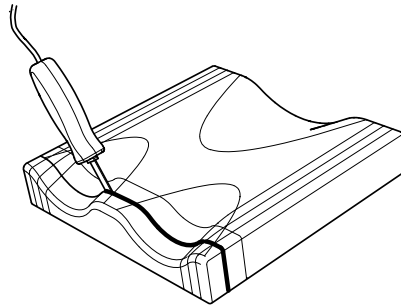
360mm



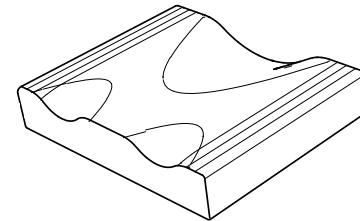
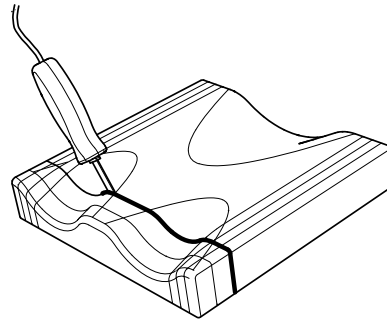
Cushion Depth



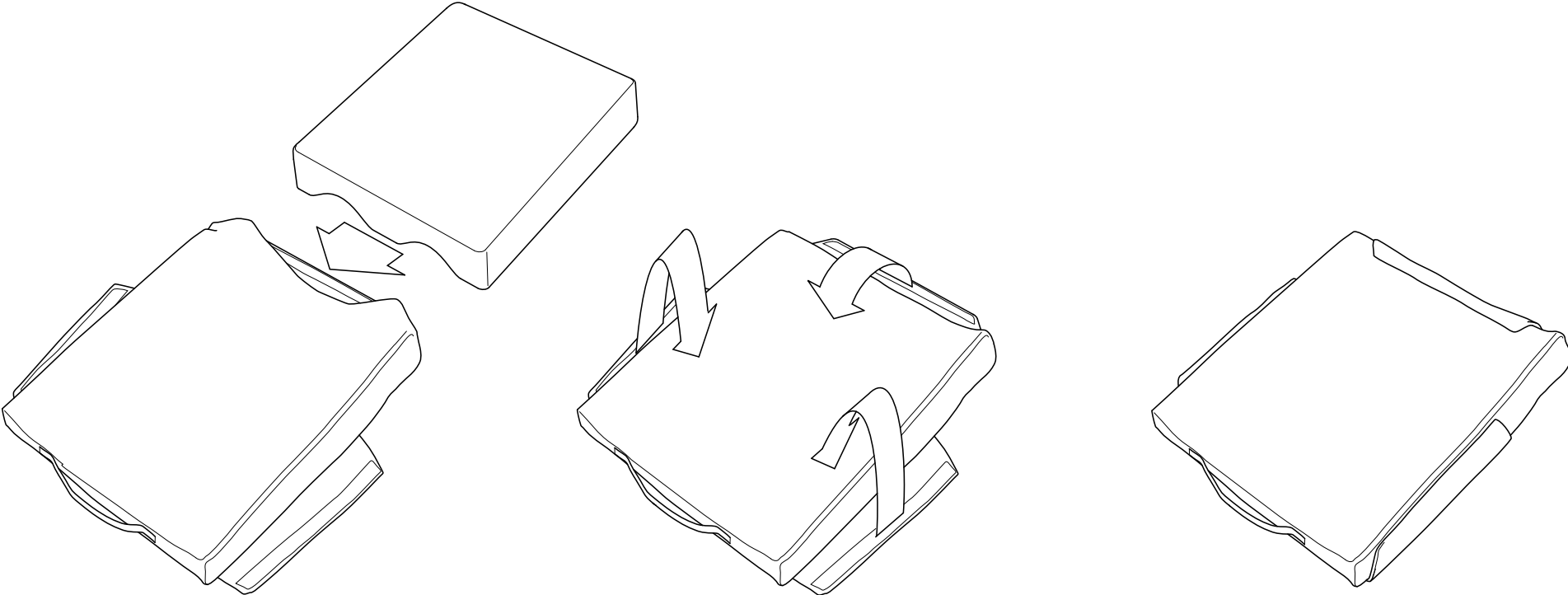
400mm



350mm



Cushion Cover



Backrest Upholstery

3 Backrest Heights



Low



Medium



High

Low Backrest Height



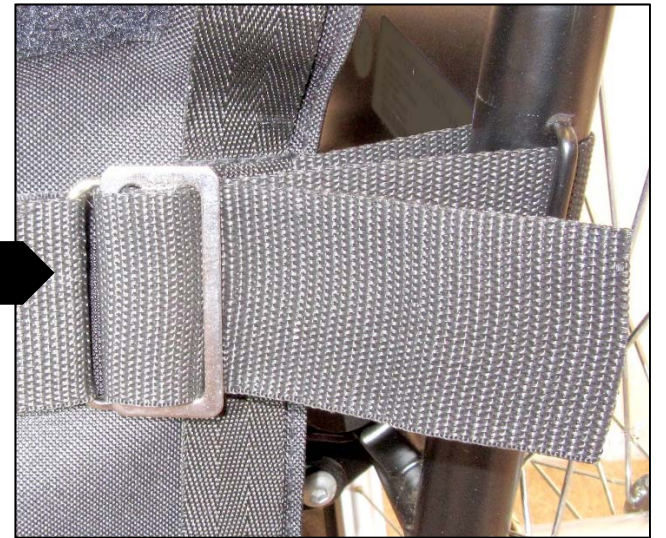
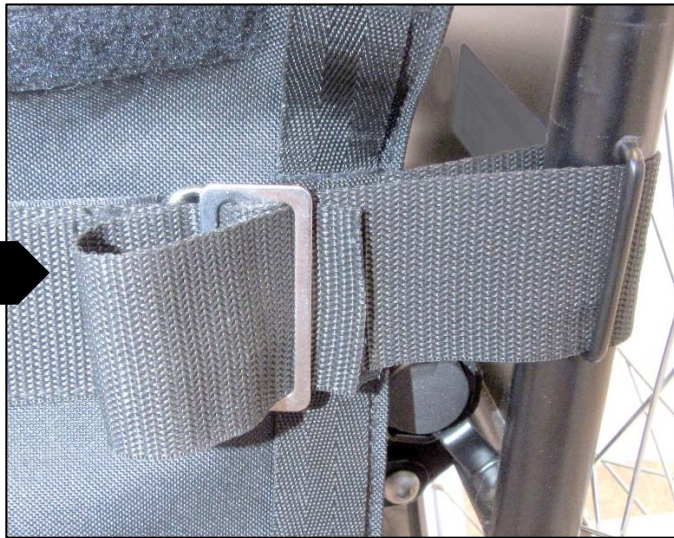
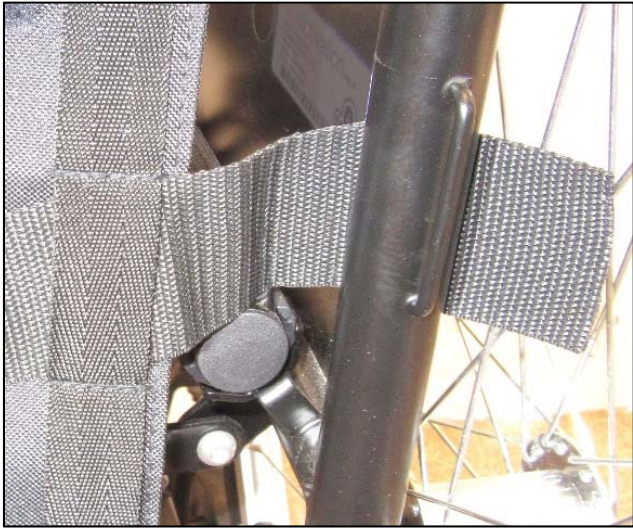
Medium Backrest Height



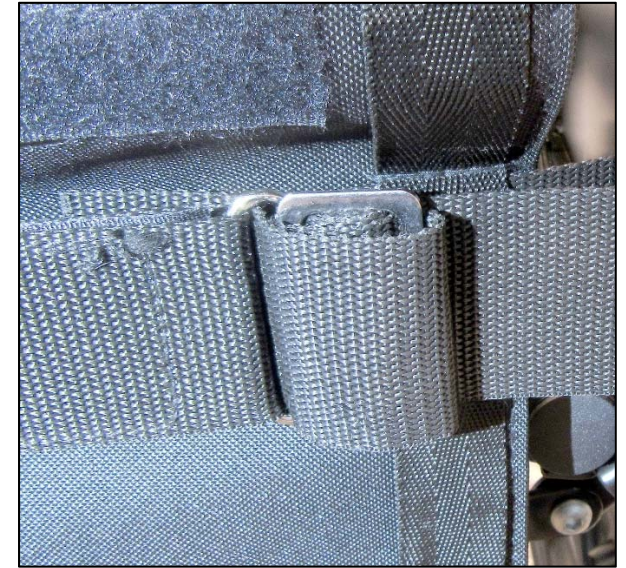
High Backrest Height



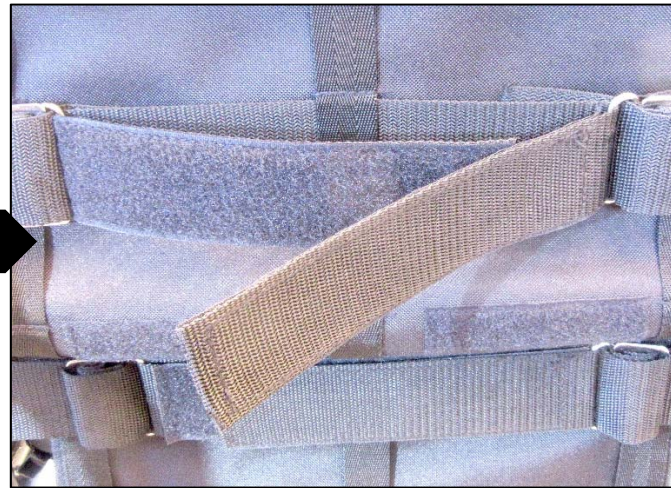
Side Strap Attachment



Storing Loose Strap Ends



Centre Strap Adjustment



Adjusting Backrest Shape



Standard Buttock Shape Area



Large Buttock Shape Area

