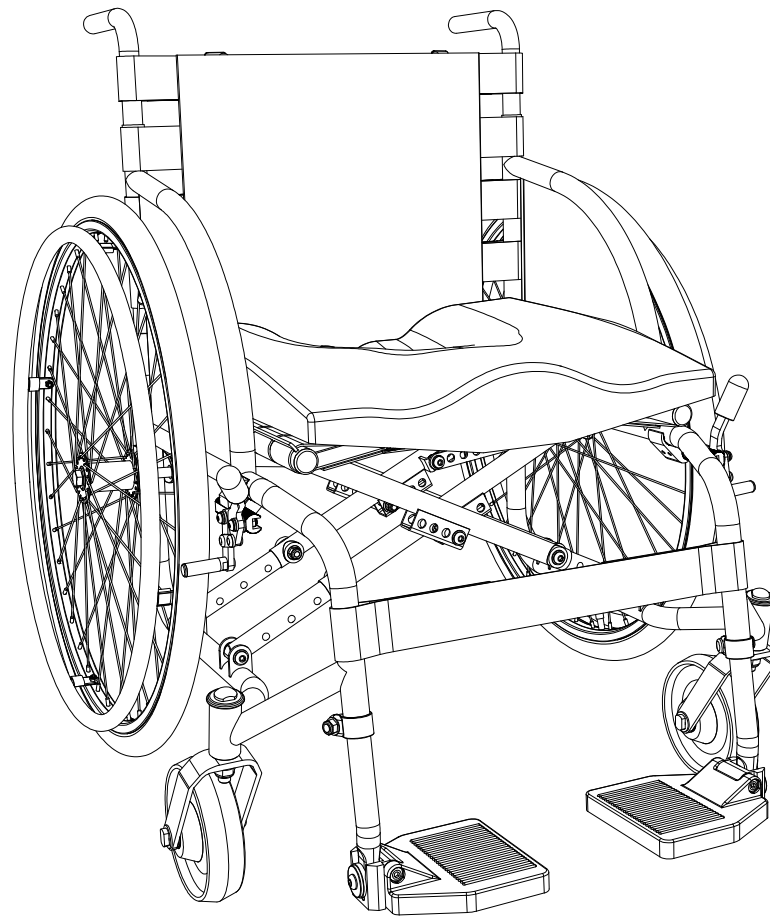
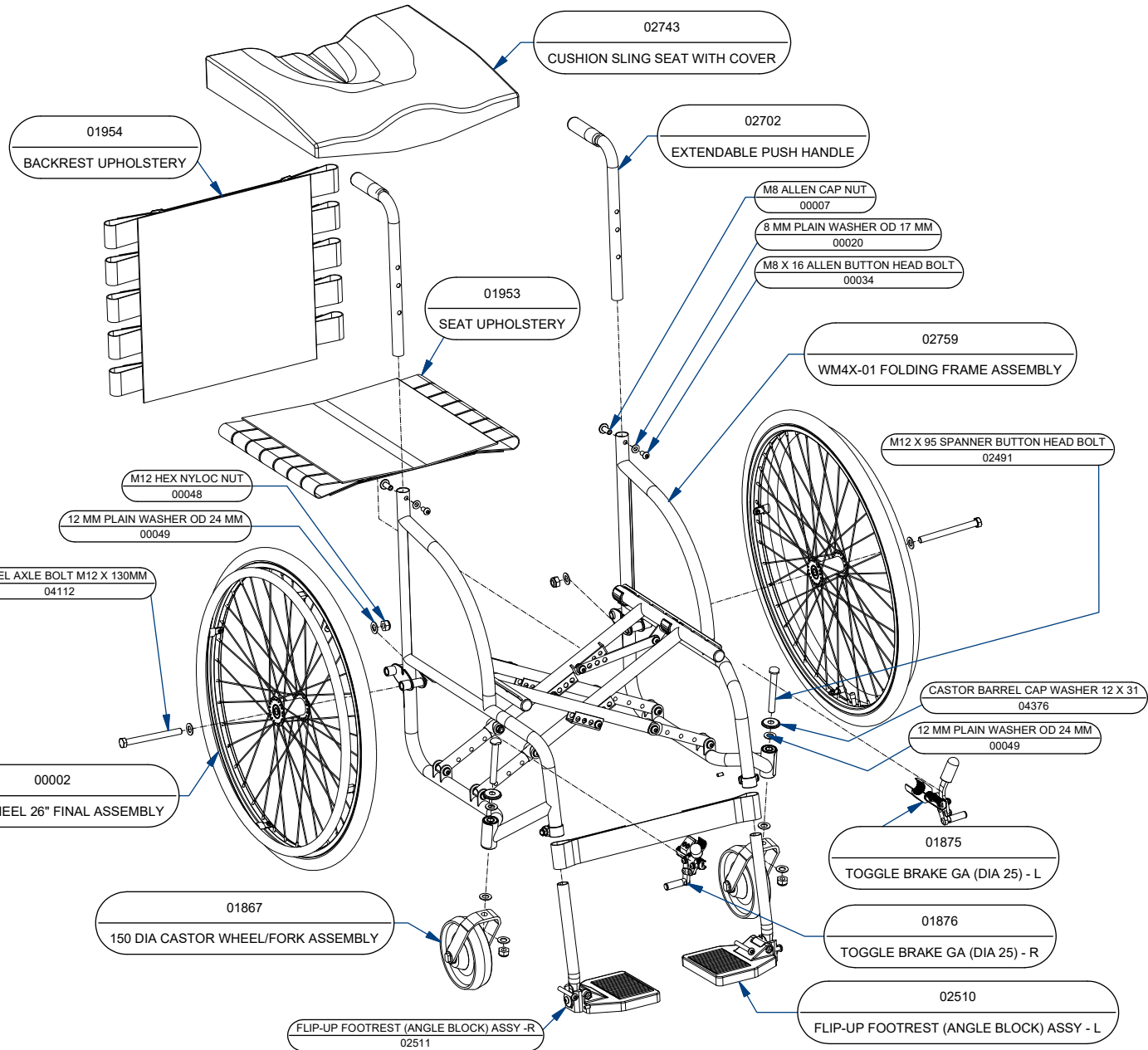
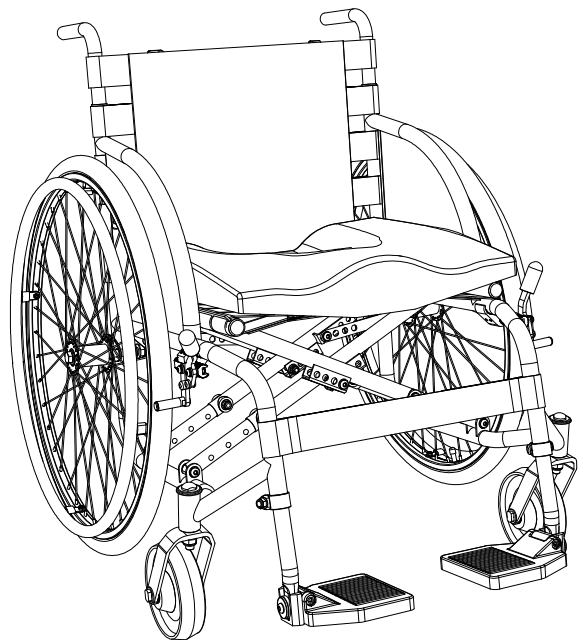
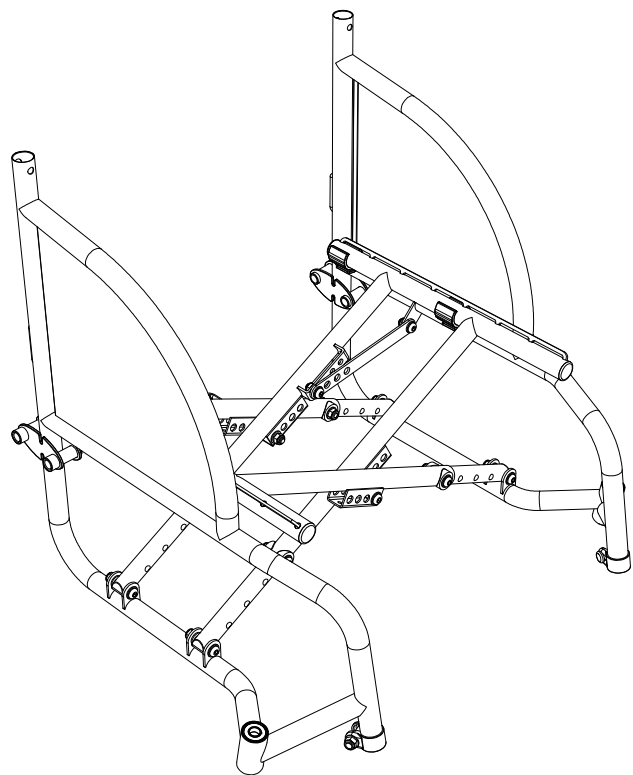

MOTIVATION ACTIVE FOLDING WHEELCHAIR

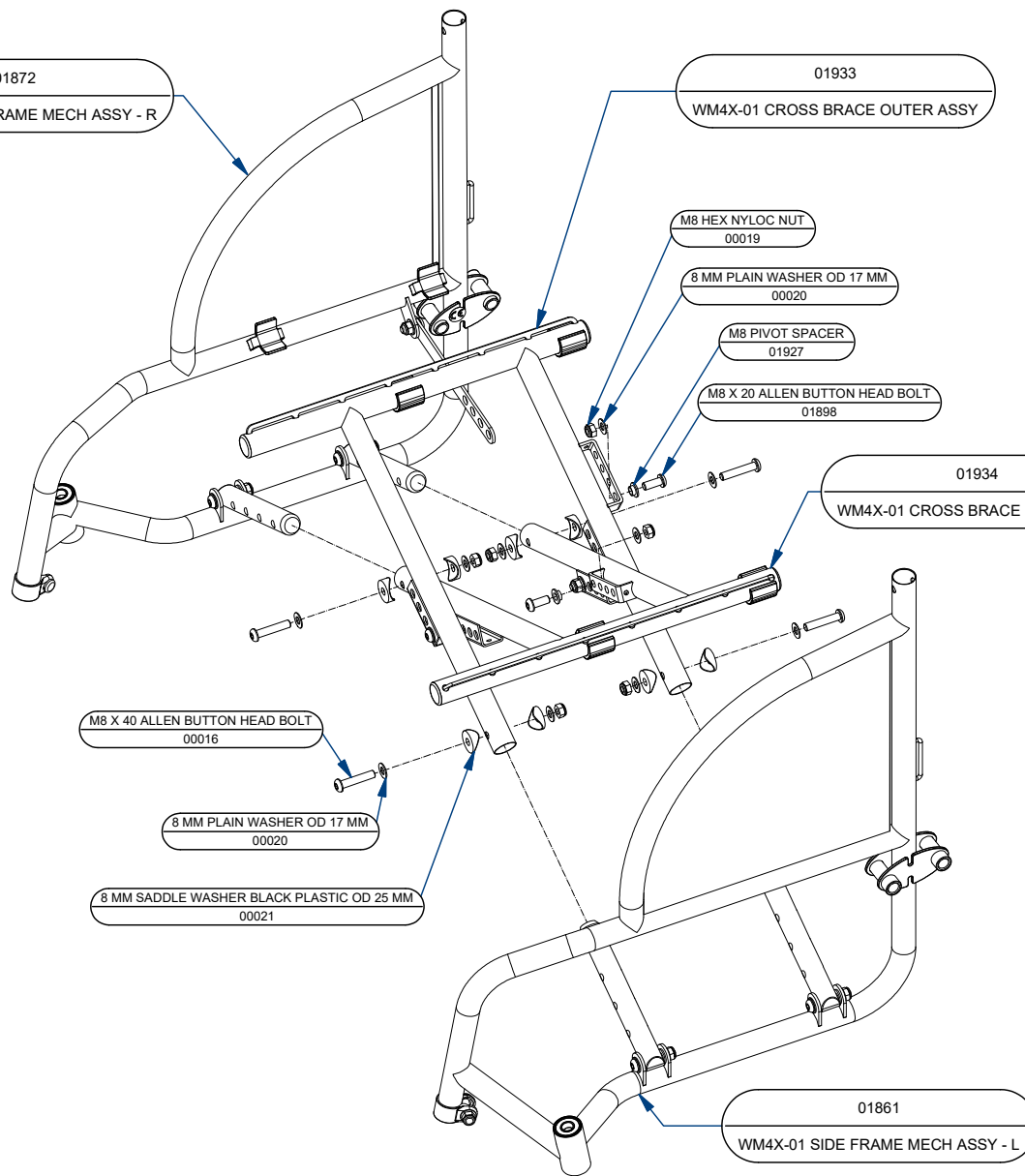




00002	REAR WHEEL 26" FINAL ASSEMBLY
02759	WM4X-01 FOLDING FRAME ASSEMBLY
01867	150 DIA CASTOR WHEEL/FORK ASSEMBLY
01875	TOGGLE BRAKE GA (DIA 25) - L
01876	TOGGLE BRAKE GA (DIA 25) - R
01953	SEAT UPHOLSTERY
01954	BACKREST UPHOLSTERY
02510	FLIP-UP FOOTREST (ANGLE BLOCK) ASSY - L
02702	EXTENDABLE PUSH HANDLE
02743	CUSHION SLING SEAT WITH COVER



01872
WM4X-01 SIDE FRAME MECH ASSY - R



01933
WM4X-01 CROSS BRACE OUTER ASSY

M8 HEX NYLOC NUT
00019

8 MM PLAIN WASHER OD 17 MM
00020

M8 PIVOT SPACER
01927

M8 X 20 ALLEN BUTTON HEAD BOLT
01898

01934
WM4X-01 CROSS BRACE INNER ASSY

M8 X 40 ALLEN BUTTON HEAD BOLT
00016

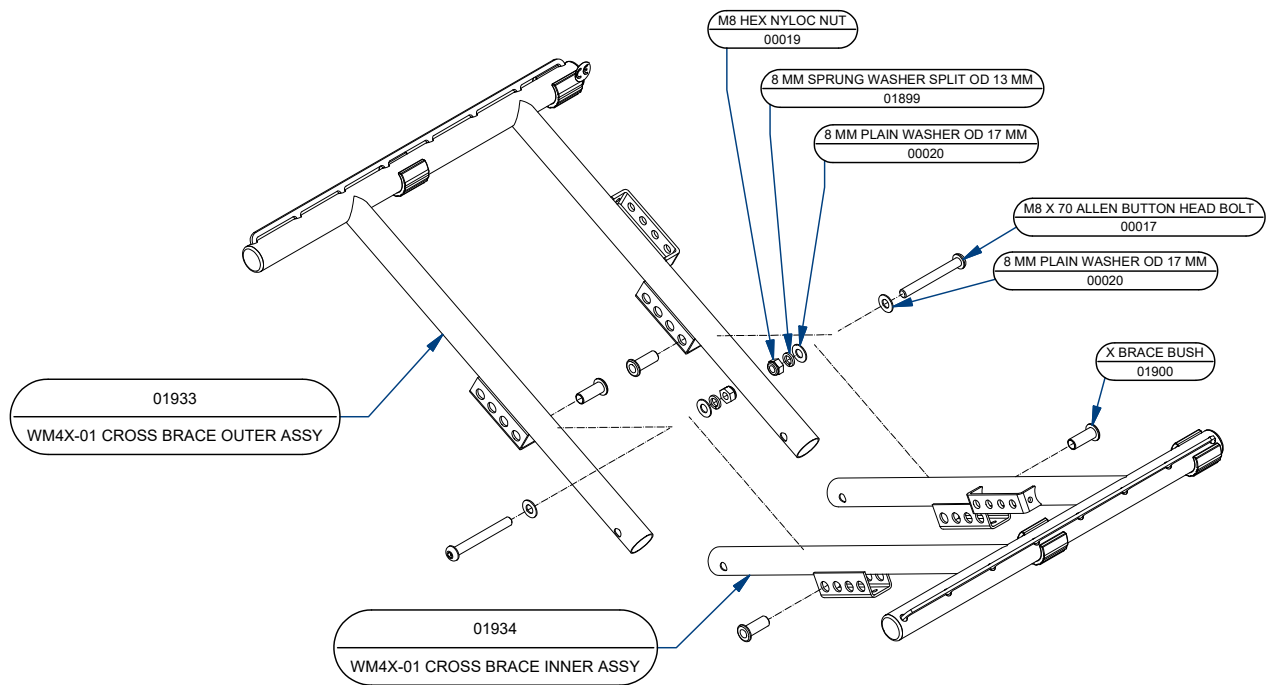
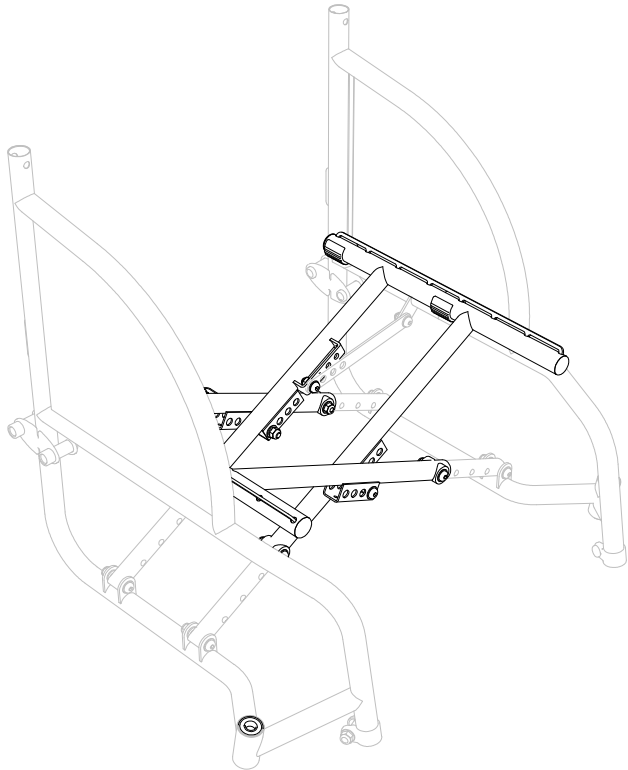
8 MM PLAIN WASHER OD 17 MM
00020

8 MM SADDLE WASHER BLACK PLASTIC OD 25 MM
00021

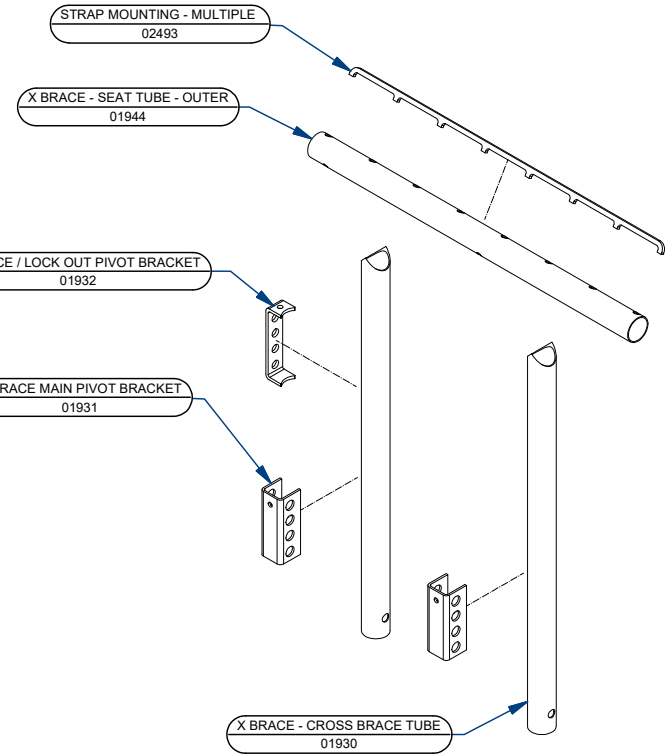
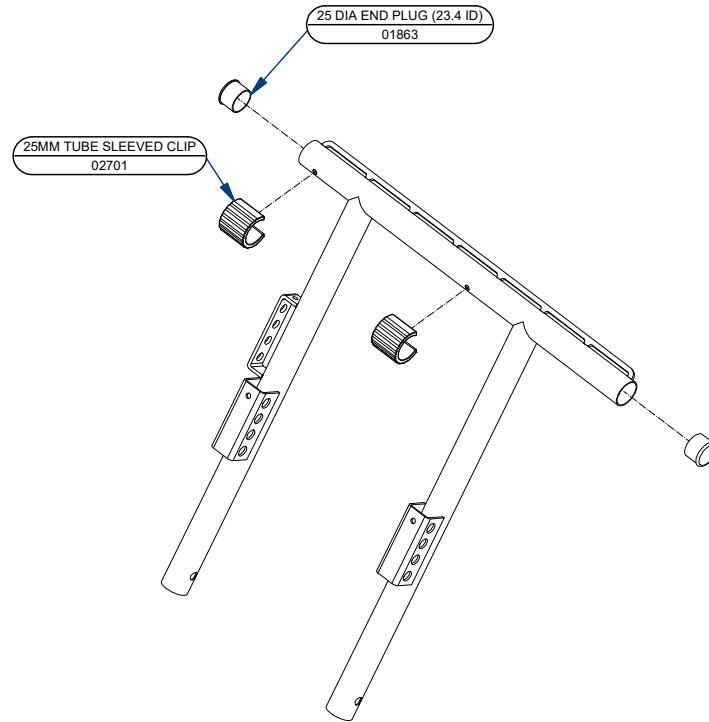
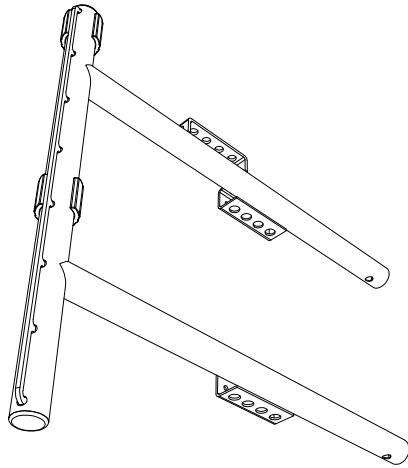
01861
WM4X-01 SIDE FRAME MECH ASSY - L

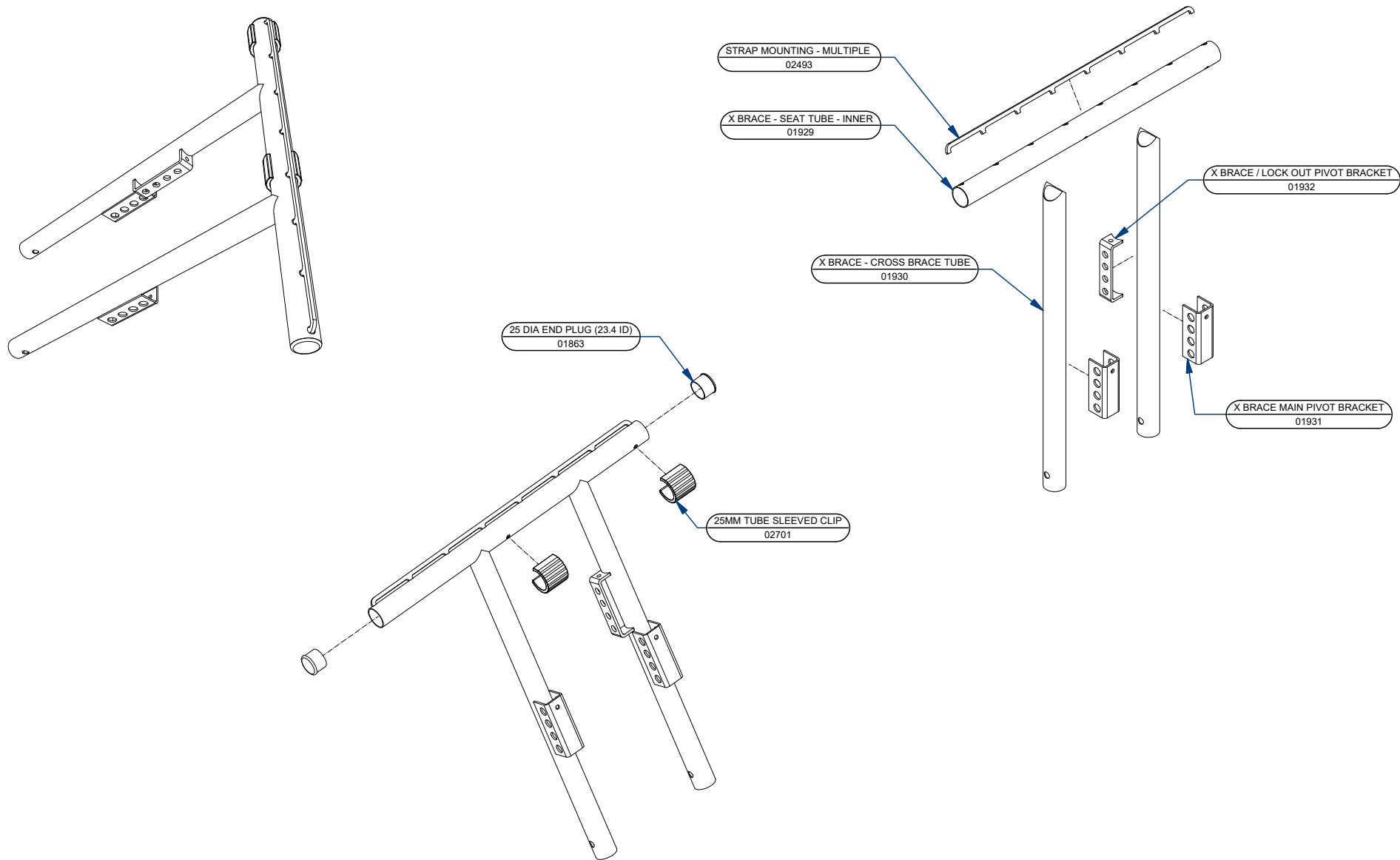
01861	WM4X-01 SIDE FRAME MECH ASSY - L
01872	WM4X-01 SIDE FRAME MECH ASSY - R
01933	WM4X-01 CROSS BRACE OUTER ASSY
01934	WM4X-01 CROSS BRACE INNER ASSY

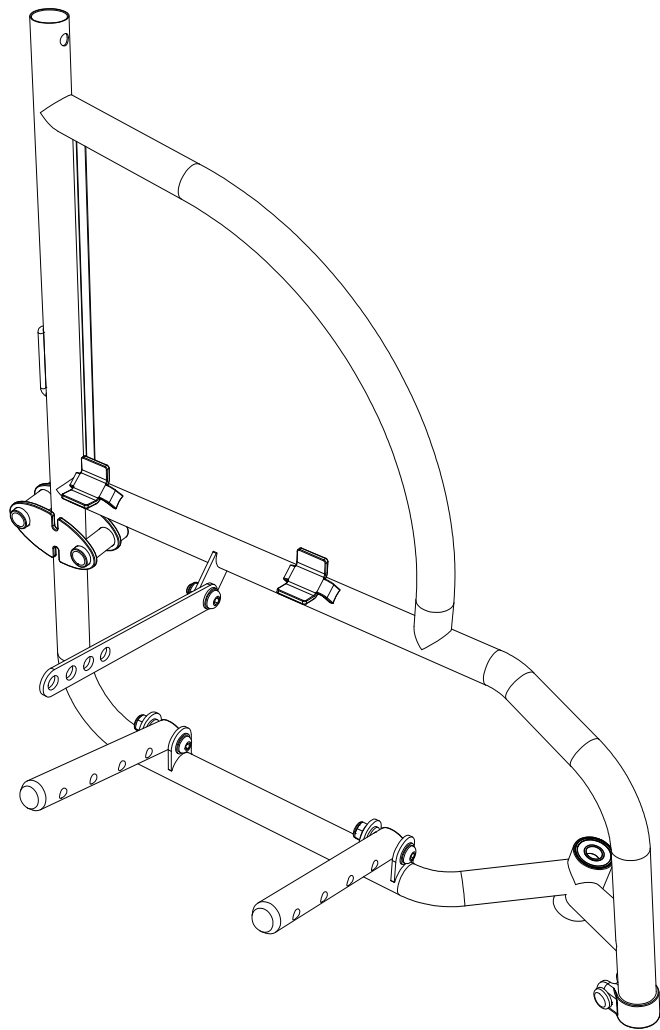




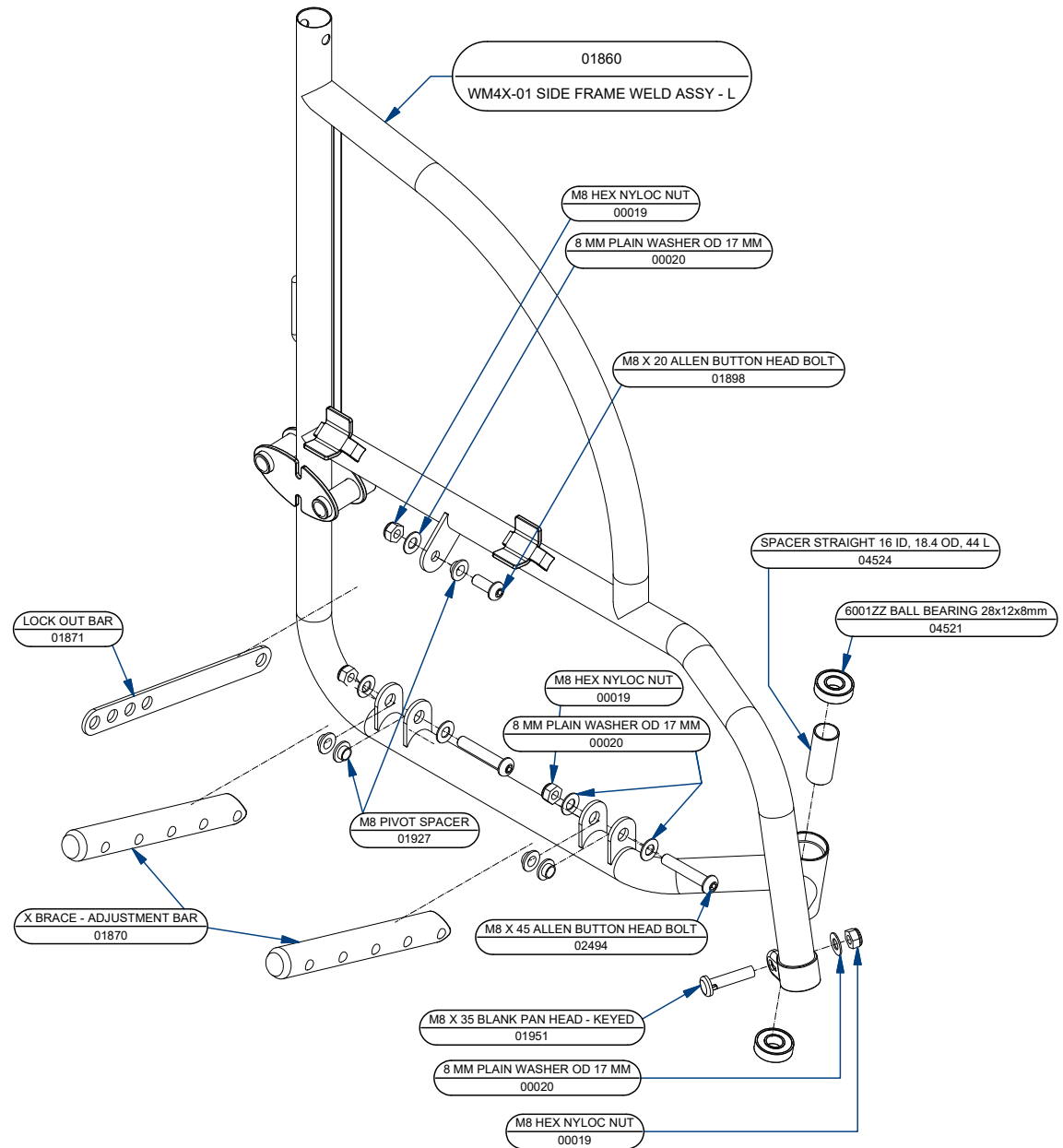
01934	WM4X-01 CROSS BRACE INNER ASSY
01933	WM4X-01 CROSS BRACE OUTER ASSY

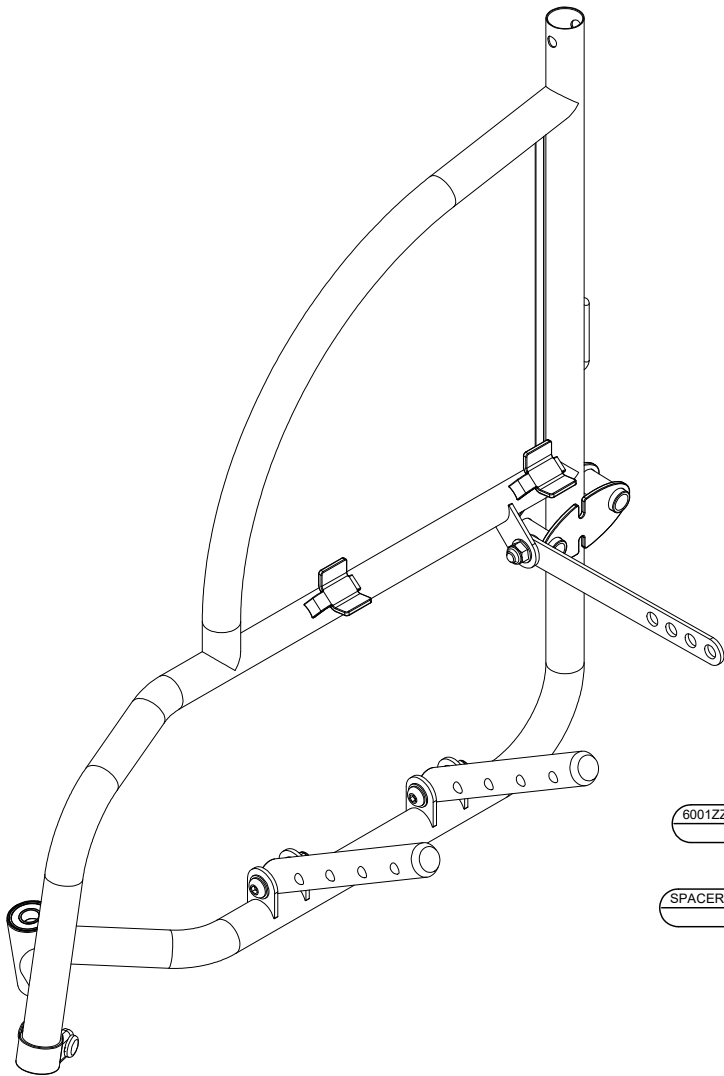






01860 WM4X-01 SIDE FRAME WELD ASSY - L





01873
WM4X-01 SIDE FRAME WELD ASSY - R

6001ZZ BALL BEARING 28x12x8mm
04521

SPACER STRAIGHT 16 ID, 18.4 OD, 44 L
04524

M8 X 45 ALLEN BUTTON HEAD BOLT
02494

M8 X 35 BLANK PAN HEAD - KEYED
01951

8 MM PLAIN WASHER OD 17 MM
00020

M8 HEX NYLOC NUT
00019

8 MM PLAIN WASHER OD 17 MM
00020

M8 HEX NYLOC NUT
00019

M8 PIVOT SPACER
01927

8 MM PLAIN WASHER OD 17 MM
00020

M8 HEX NYLOC NUT
00019

M8 X 20 ALLEN BUTTON HEAD BOLT
01898

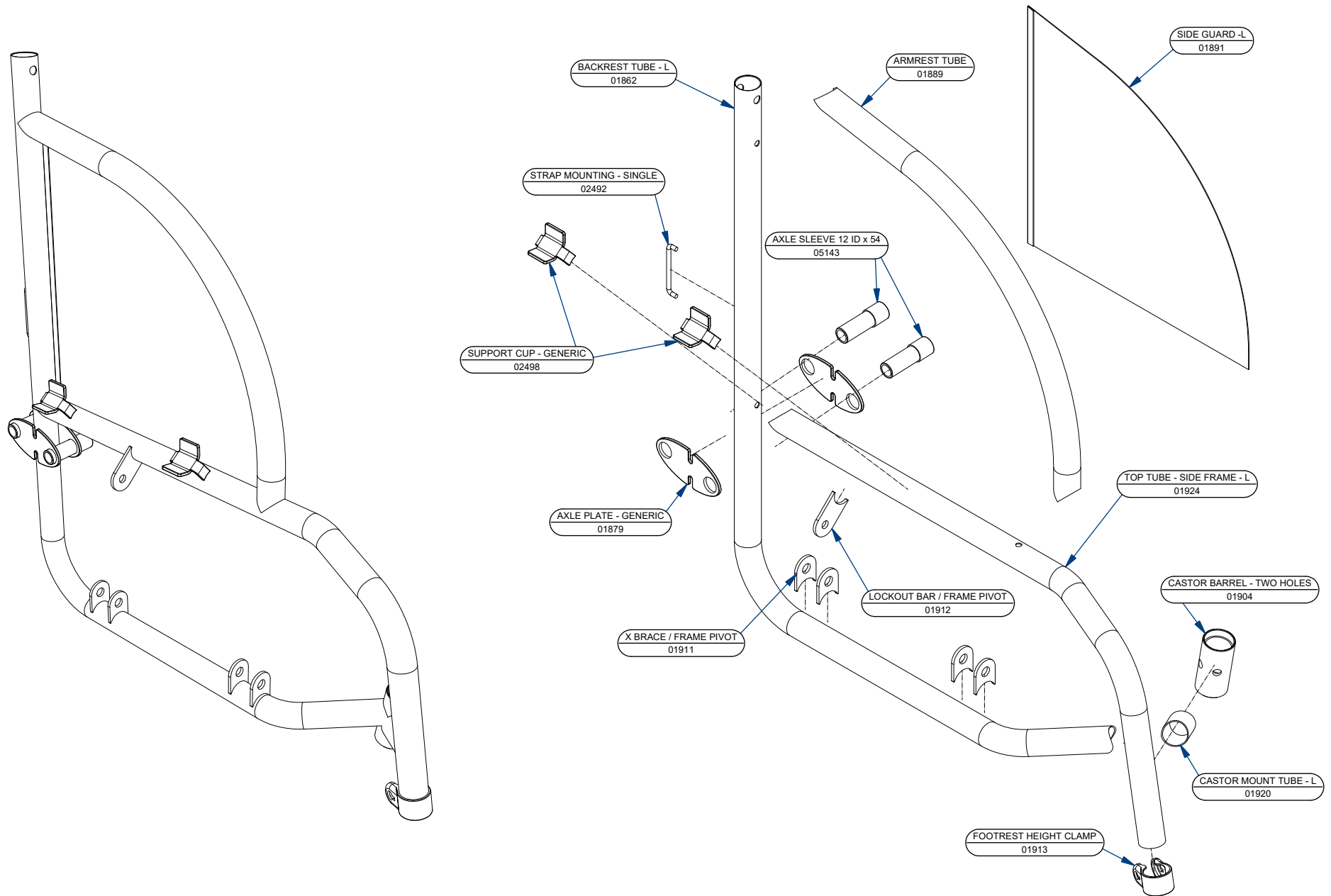
M8 PIVOT SPACER
01927

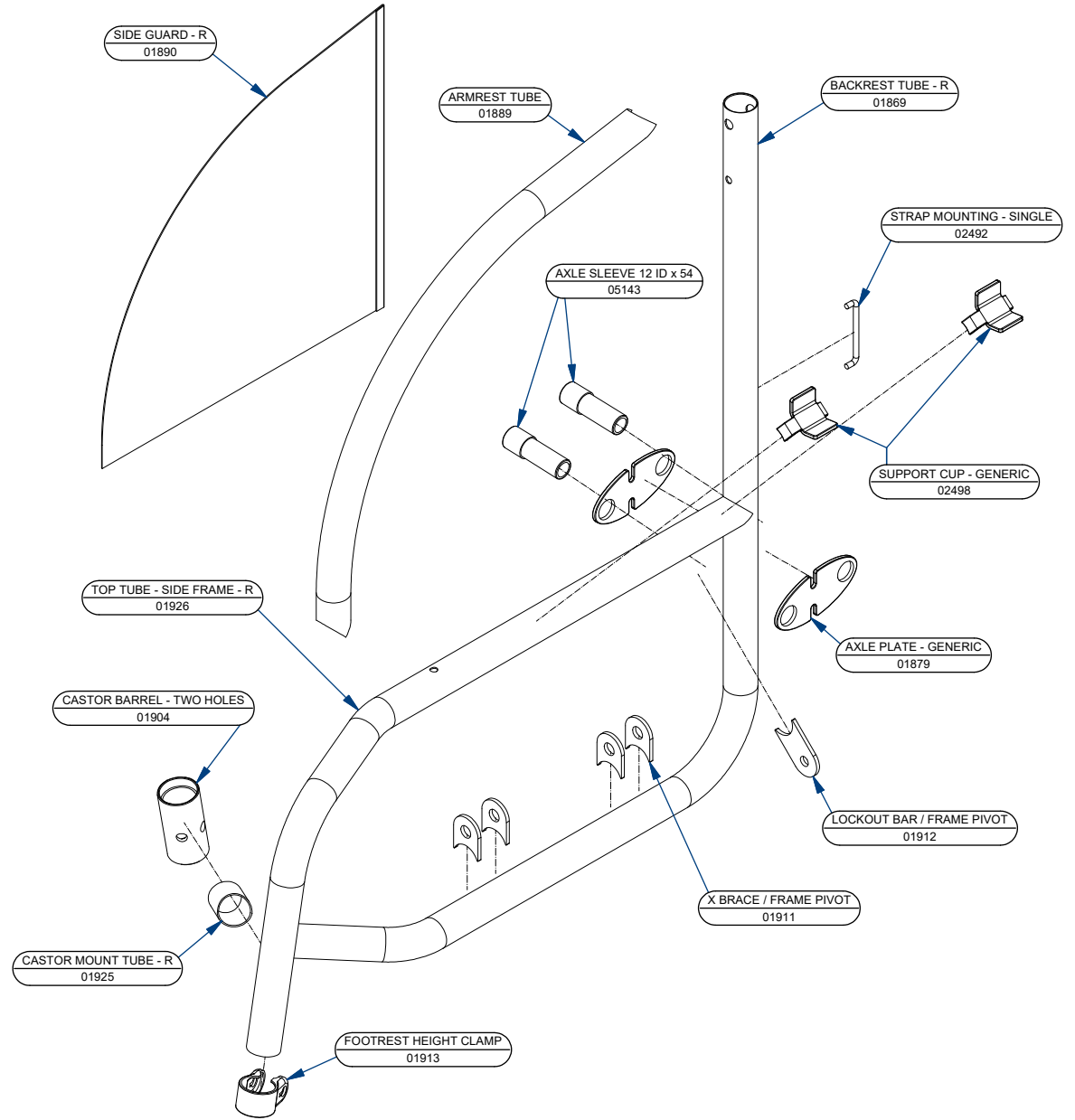
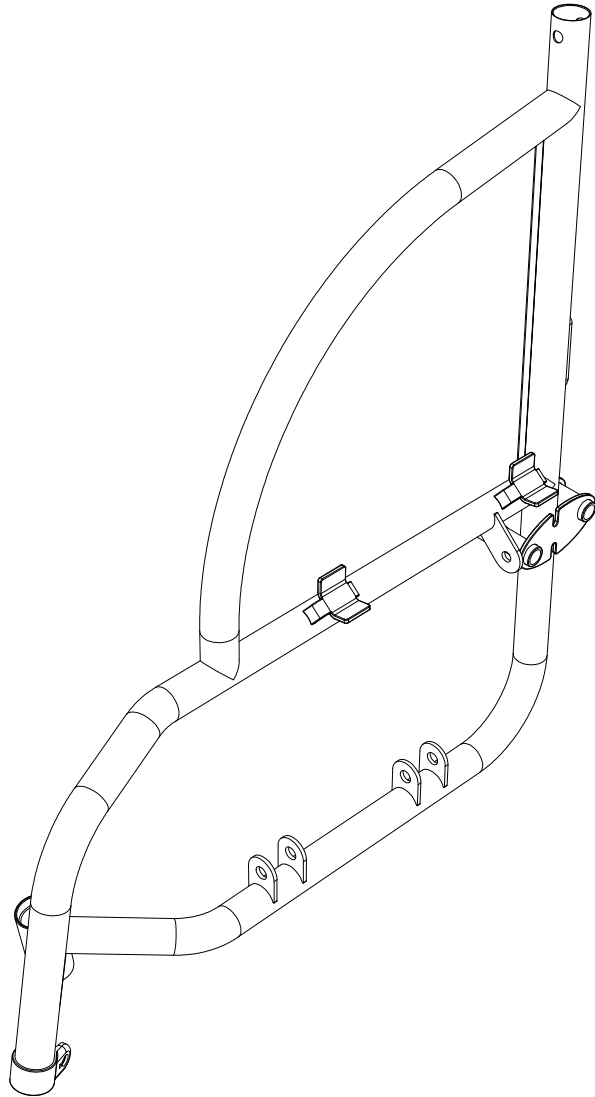
LOCK OUT BAR
01871

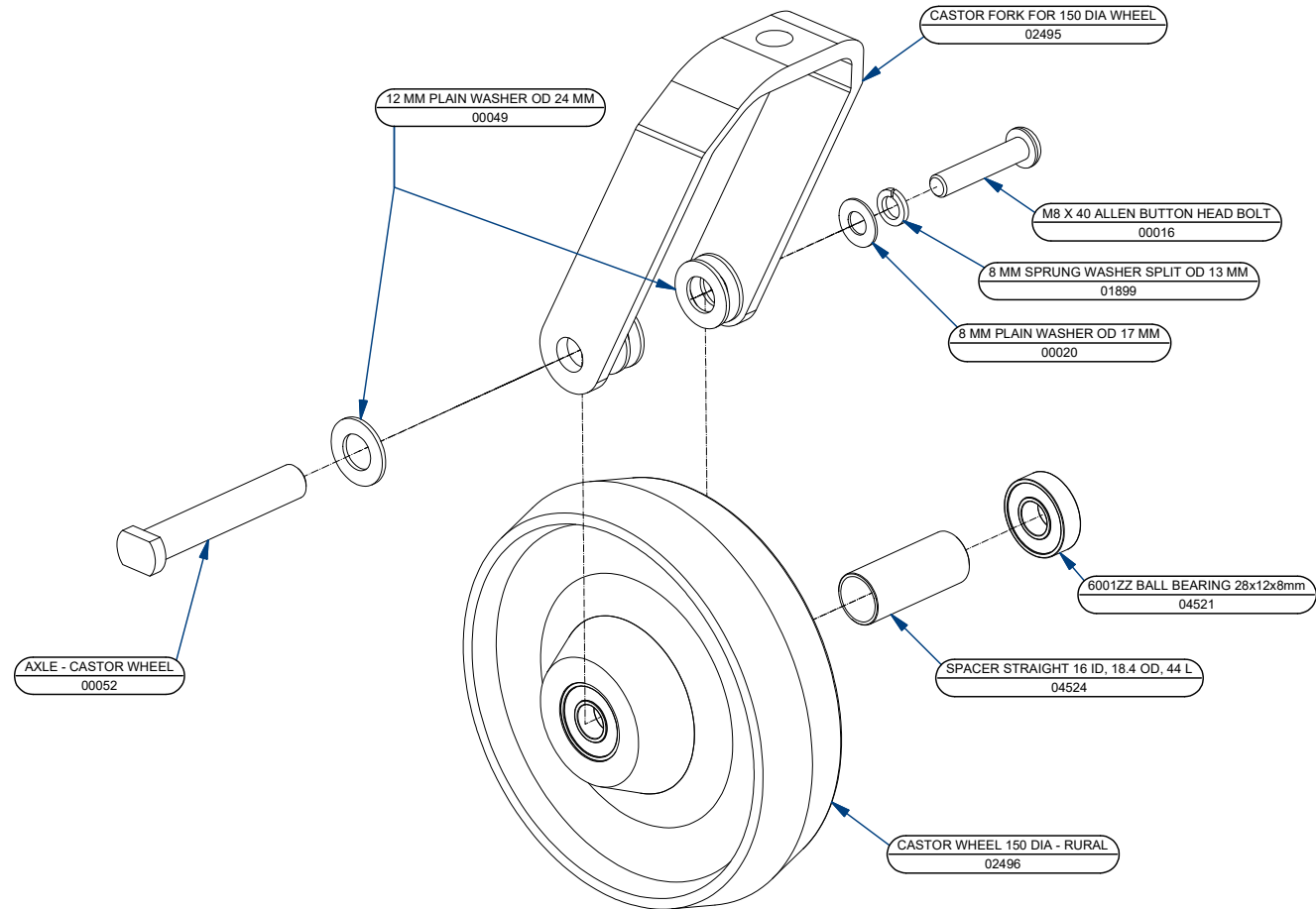
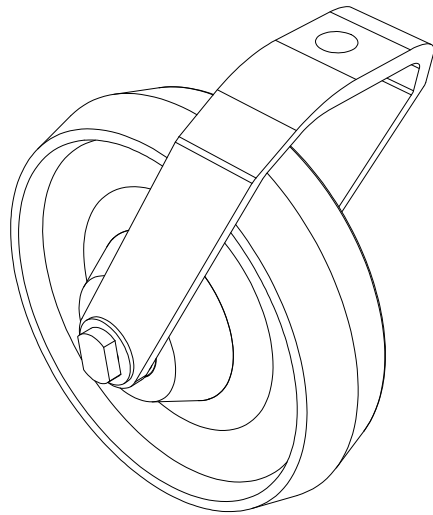
X BRACE - ADJUSTMENT BAR
01870

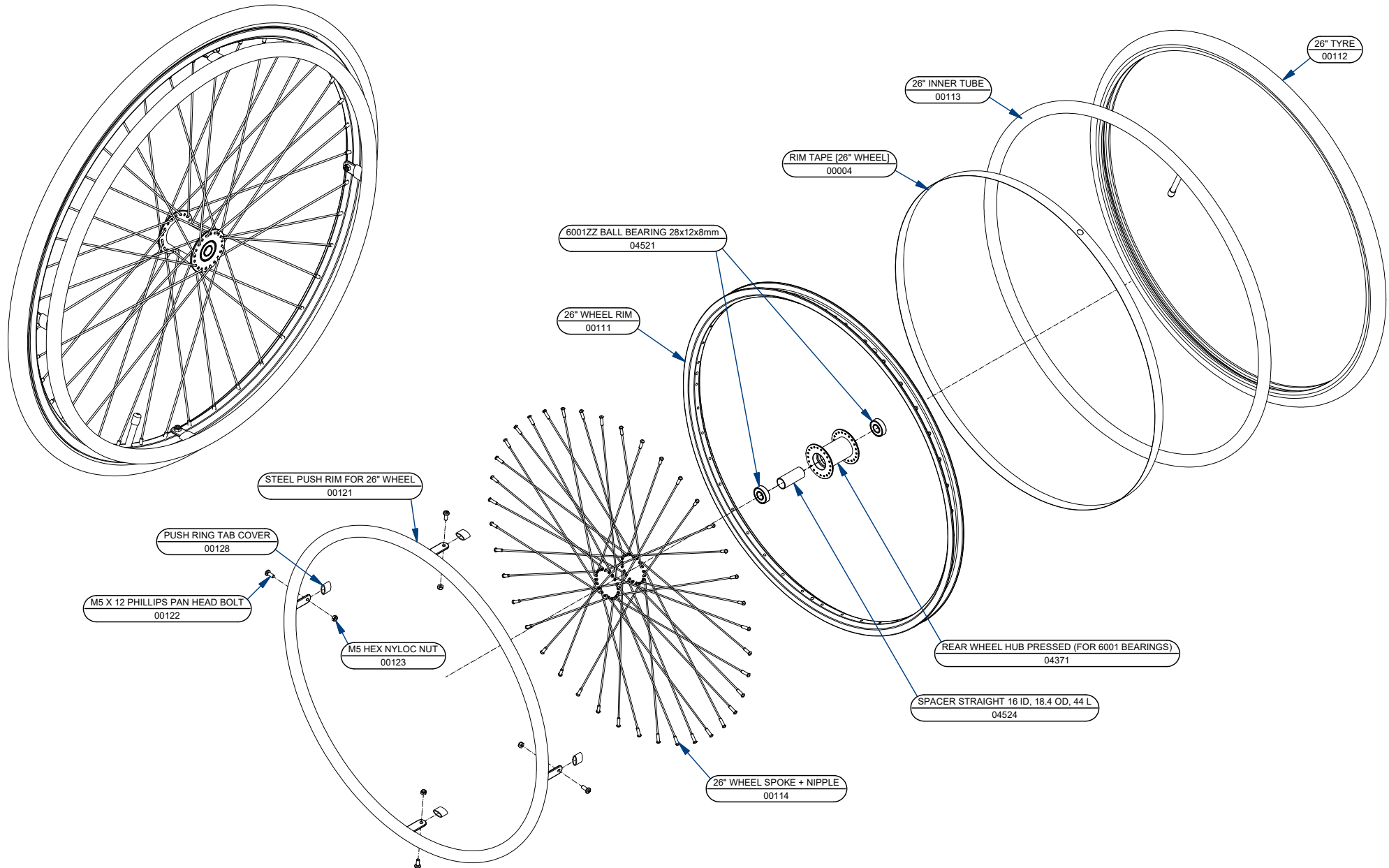
01873 WM4X-01 SIDE FRAME WELD ASSY - R

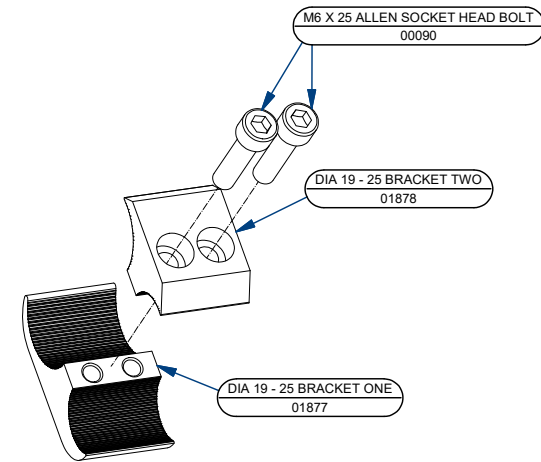
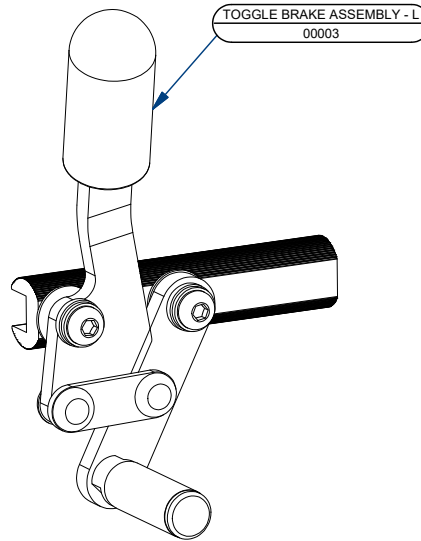
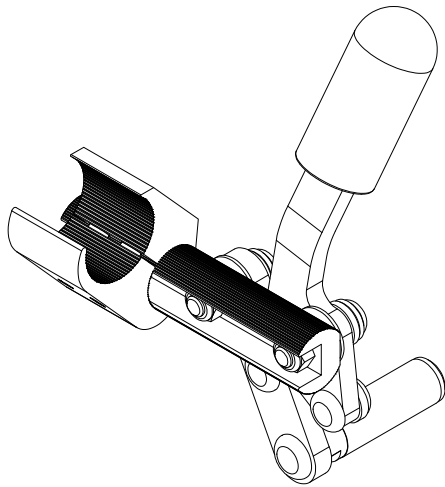


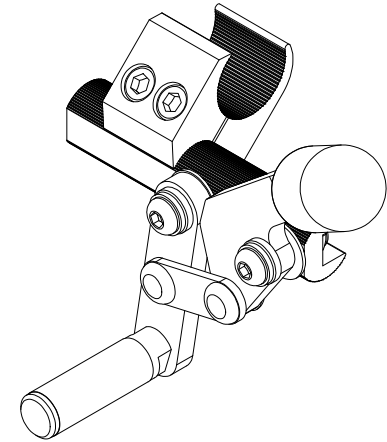
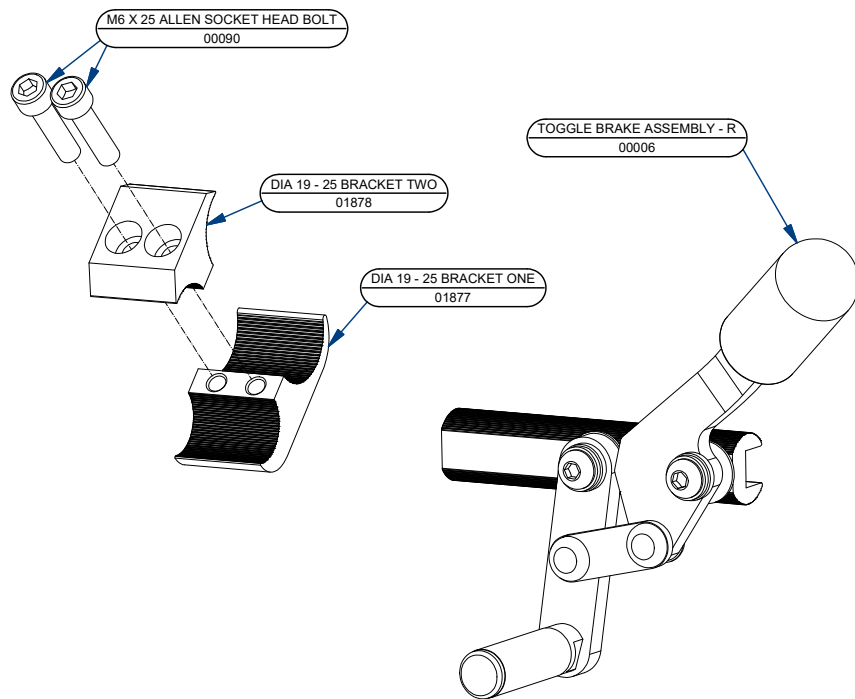


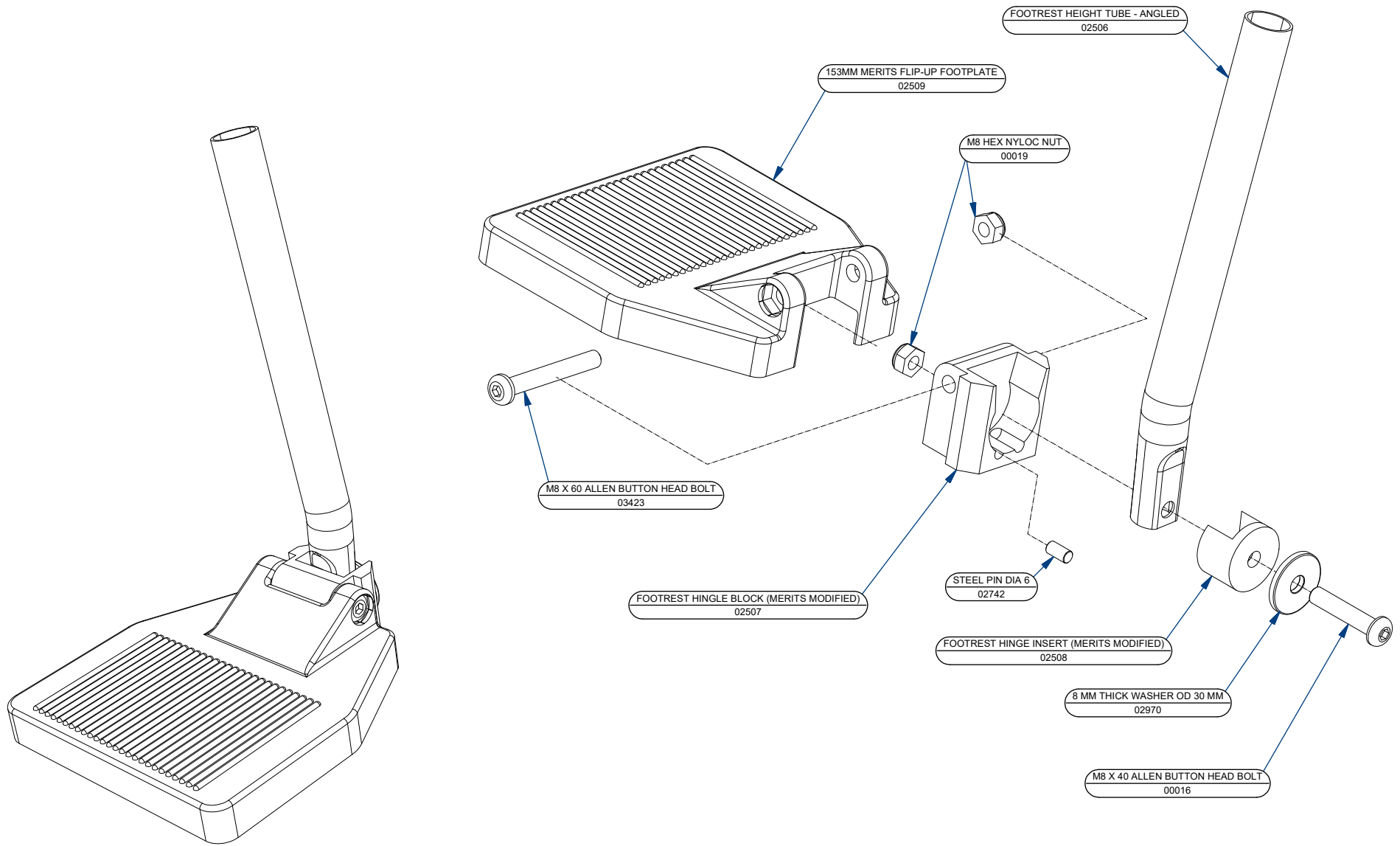


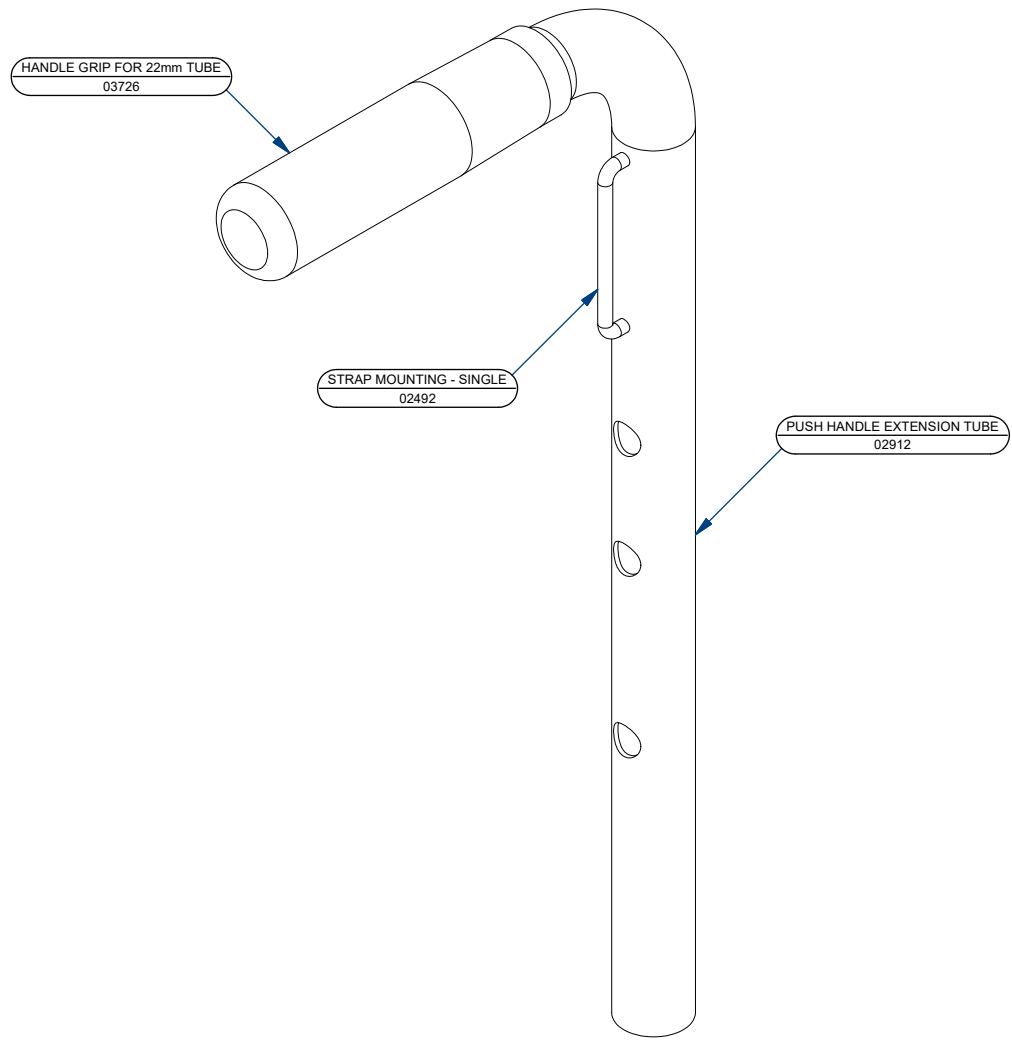


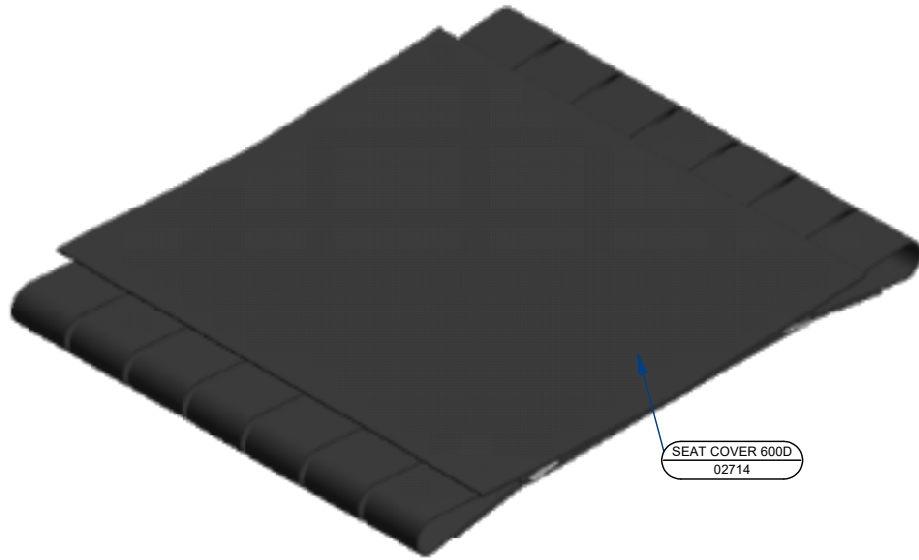




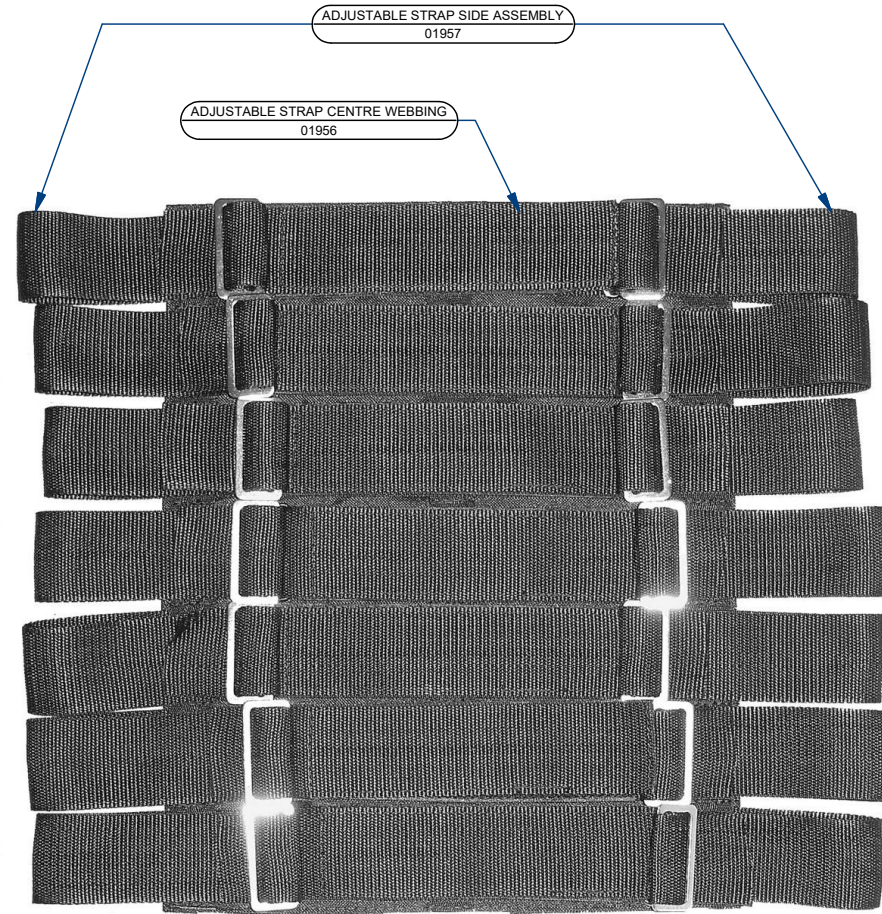






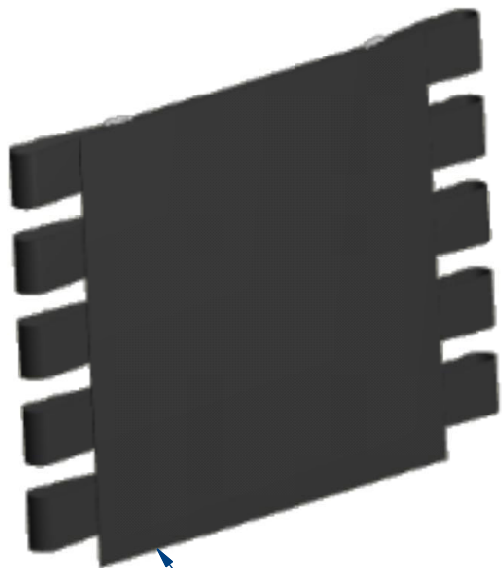


SEAT COVER 600D
02714

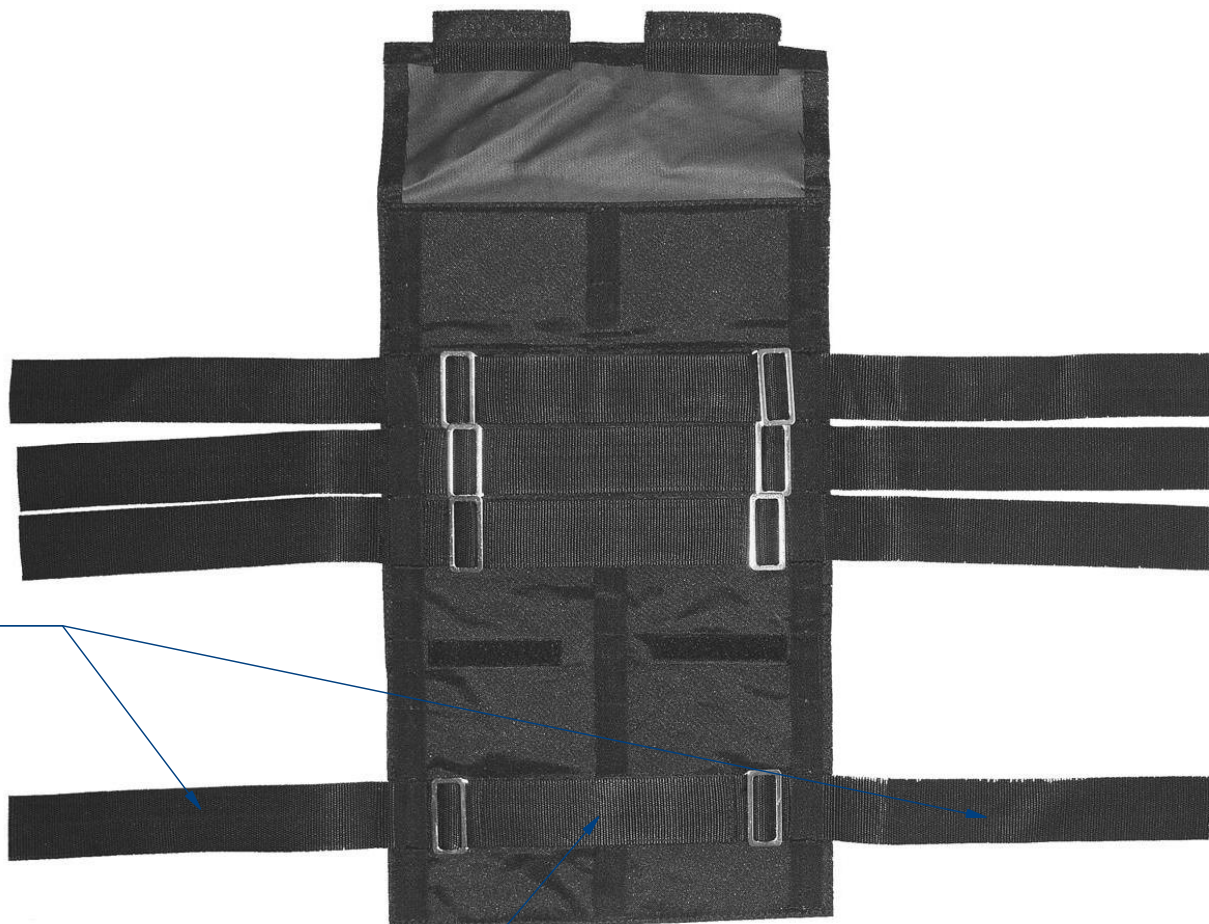


ADJUSTABLE STRAP SIDE ASSEMBLY
01957

ADJUSTABLE STRAP CENTRE WEBBING
01956

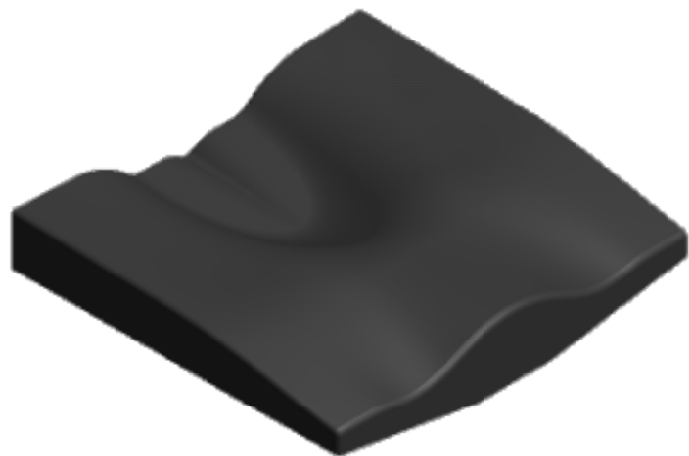


BACKREST COVER 600D
01955



ADJUSTABLE STRAP SIDE ASSEMBLY
01957

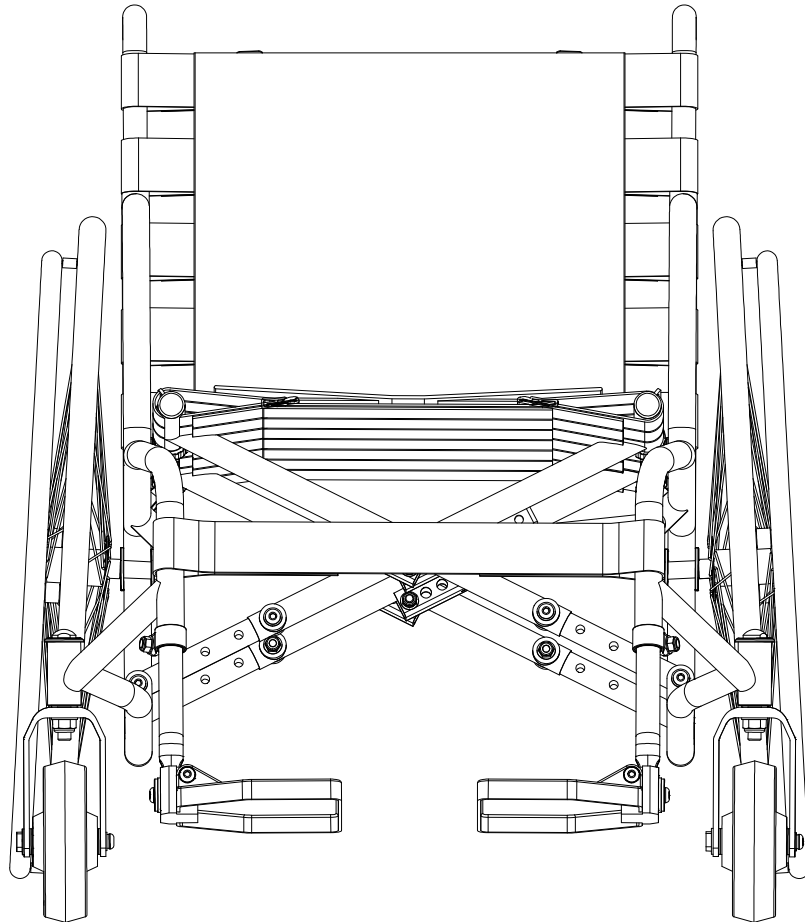
ADJUSTABLE STRAP CENTRE WEBBING
01956



02012
MOULDED CUSHION SLING SEAT

00092
CUSHION COVER





CONTENTS

MOTIVATION ACTIVE FOLDING WHEELCHAIR COVER PAGE	1
ACTIVE FOLDING WHEELCHAIR - ASSEMBLY DETAILS	2
ACTIVE FOLDING WHEELCHAIR FRAME - ASSEMBLY DETAILS	3
ACTIVE FOLDING WHEELCHAIR FRAME - CROSS BRACE PRE-ASSEMBLY	4
ACTIVE FOLDING WHEELCHAIR FRAME - OUTER CROSS BRACE	5
ACTIVE FOLDING WHEELCHAIR FRAME - INNER CROSS BRACE	6
ACTIVE FOLDING WHEELCHAIR SIDE FRAME LEFT - ASSEMBLY DETAILS	7
ACTIVE FOLDING WHEELCHAIR SIDE FRAME RIGHT - ASSEMBLY DETAILS	8
ACTIVE FOLDING WHEELCHAIR SIDE FRAME LEFT - WELDMENT DETAILS	9
ACTIVE FOLDING WHEELCHAIR SIDE FRAME RIGHT - WELDMENT DETAILS	10
150 DIA CASTOR WHEEL/FORK ASSEMBLY - DETAILS	11
REAR WHEEL 26" - ASSEMBLY DETAILS	12
TOGGLE BRAKE LEFT (25MM CLAMP) - GENERAL ASSEMBLY	13
TOGGLE BRAKE RIGHT (25MM CLAMP) - GENERAL ASSEMBLY	14
FLIP-UP, ANGLE-ADJUSTABLE FOOTREST - ASSEMBLY DETAILS	15
EXTENDABLE PUSH HANDLE - WELDMENT AND ASSEMBLY DETAILS	16
ACTIVE FOLDING WHEELCHAIR SEAT UPHOLSTERY - ASSEMBLY DETAILS	17
ACTIVE FOLDING WHEELCHAIR BACKREST UPHOLSTERY - ASSEMBLY DETAILS	18
CUSHION AND COVER FOR CANVAS BASE WHEELCHAIR - DETAILS	19
TABLE OF CONTENTS	20