

Product Summary: Active Folding Wheelchair

Motivation’s Active Folding Wheelchair is a size adjustable, active, four wheel wheelchair for urban and semi-urban environments. It is distributed through a network of Motivation’s wheelchair service partners worldwide.

	Active Folding Wheelchair
Product Code	WM4X – 01
Product Description	Semi-urban, size adjustable, active 4 wheel wheelchair
Manufacture	Made in China under licence from Motivation
Document Issue	12
Date of issue	27 Sept 2017

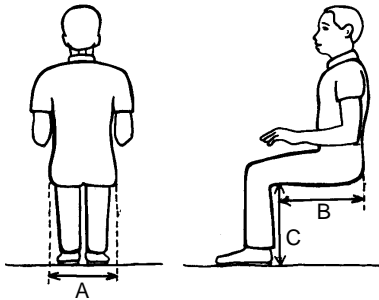


Overview

- The active folding wheelchair is an active style wheelchair allowing either self or attendant propulsion.
- It has been designed to suit the terrain found in semi-urban areas of developing countries.
- It utilises two medium sized castor wheels at the front and two bicycle wheels at the rear to negotiate uneven ground, whilst providing good manoeuvrability in an urban environment.
- The chair has been designed so that parts are easy to replace or repair and uses common wheel and bearing sizes.
- The chairs are individually assembled and fitted to each user by trained assemblers & prescribers.
- The active folding wheelchair and its packaging are designed for easy disassembly for recycling or reuse.
- Every wheelchair is supplied with a contoured pressure relieving cushion. Each cushion has a cover.



Product user group



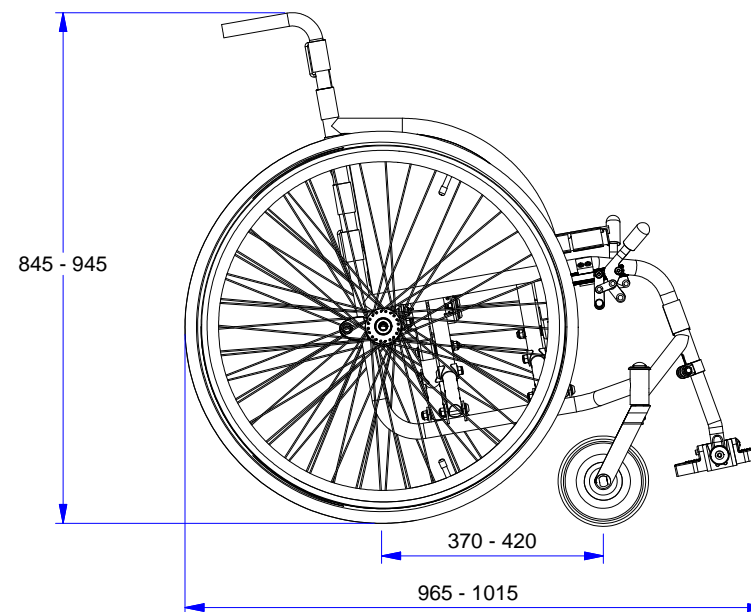
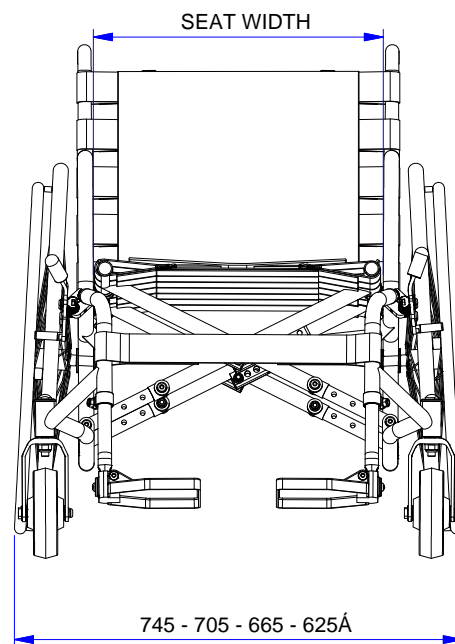
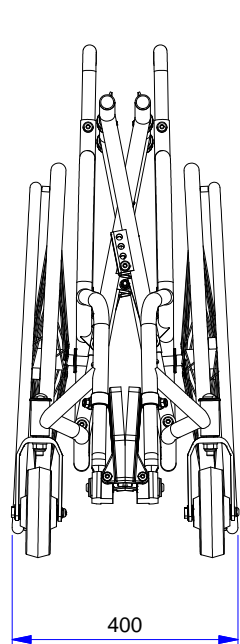
- The wheelchair can be used by people with a range of mobility disabilities. It is most suited to people living in semi-urban areas.
 - The chair is suitable for users whose body measurements fall within the following ranges:
 - A. Hip width: 360 – 480 mm
 - B. Buttock to back of knee: 390 - 470¹ mm
 - C. Back of knee height from bottom of feet: 360² to 470³ mm
- 1 - Backrest tension affects seat depth.
 2 - possible by cutting 30mm off footrest height tube.
 3 - with 30mm ground clearance.
- Maximum user weight: 113kg (250lbs)

Environment

- The wheelchair is designed for the harsh environmental conditions often found in semi-urban areas of developing countries.
- The wheelchair has good manoeuvrability both outdoors and inside buildings.
- The WM4X is stable and rides easily over uneven ground because of its large front castor wheels and cambered rear wheels.
- The wheelchair performs well on uneven ground, but for extremely rough ground the Motivation “Rough Terrain wheelchair” is recommended.

	Adjustments
Seat width	Four different seat widths - 360, 400, 440, 480 mm
Seat depth	The seat base and the cushion can be adjusted to two different depths - 360 and 400 mm
Back wheel (balance) position	The WM4X can be prescribed in <i>active</i> and <i>safe</i> balance settings.
Backrest angle	The shape of the backrest can be altered by adjusting the tension of the backrest straps.
Backrest height	The backrest can be set in 3 height positions – <i>high</i> , <i>medium</i> and <i>low</i> . The high back is 100mm higher than the low back.
Footrest height	The footrest can be adjusted to different heights.
Footrest position	The footrest can be adjusted to two angles: 4° and 12° from horizontal.

Performance specifications	
Armrests	The chair is supplied with curved armrests to enable pressure relief lifts and transfers. The armrests also protect both the user and the sides of the cushion from dirt.
Backrest	Posturally supportive fabric backrest, with tensional adjustable straps. Water resistant nylon upholstery.
Box details	Box dimensions: 670 x 665 x 420 mm. Gross weight: 25 Kg. Plain brown five ply cardboard with black printed graphics. The packaging is <i>not</i> waterproof.
Brakes	Adjustable aluminium toggle brakes, with rubber grips.
Castor wheels	Two 150mm (~6") rubber castor wheels, flat profile.
Colour	Black.
Cushion	Pressure relieving cushion (high quality contoured moulded polyurethane foam) inside water resistant / fire retardant / nylon cover. The WM4X cushion is shaped for use on sling seats. Not suitable for use on the Rough Terrain wheelchair (WM3).
Disposal	The WM4X has been designed to be disassembled for reuse or recycling at the end of its serviceable life. If disposal is necessary please contact a local service provider first as they may be able to reuse parts of the wheelchair.
Lifecycle	The product is designed to provide at least 5 years of service, during normal use and providing it is appropriately maintained. Each user is supplied with a set of Allen keys and spanners, a puncture repair kit and a pneumatic tyre pump to assist with home maintenance.
Push handles	Ergonomically positioned push handles with non-PVC grips provided.
Pushrings	Diameter 19 mm chrome plated steel pushrings, attached in four places.
Rear wheels	26" x 1 3/8" diameter rear wheels, with 36 spoke aluminium rims. Robust 36 spoke hub with two 6001zz bearings and diameter 12 mm axles.
Seat	Slung fabric seat upholstery, with tension adjustable straps. Water resistant nylon upholstery supplied with pressure relief cushion.
Standards	The product conforms to the relevant sections of International Standards Organisation (ISO) standard ISO: 7176, including fire retardant foam and fabric and is ISO 9001 (2008- 2013) and ISO 13845 (2008- 2013) certified.
Straps	One calf strap is supplied with the chair.
Transport / storage	With the cushion removed, the product can be easily folded by users for storage or transportation.
Tyres	Pneumatic - medium tread with extra thick inner tubes.
Weight	Net weight of the active folding wheelchair: 21.3 Kg.



SEAT SIZESÅ	
SIZE	MM
S	360Å
M	400Å
L	440Å
XL	480Å

Å

